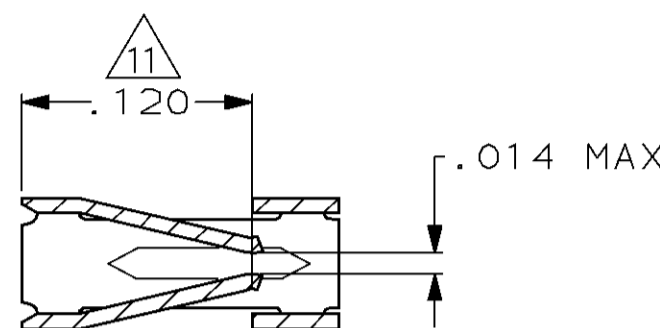
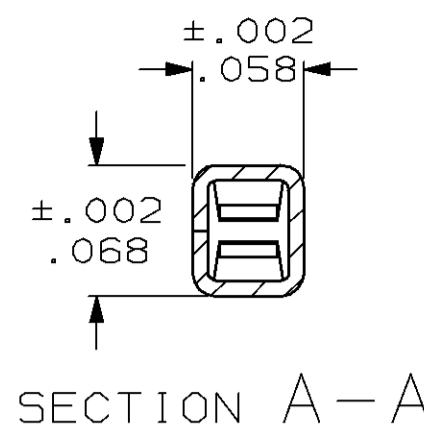
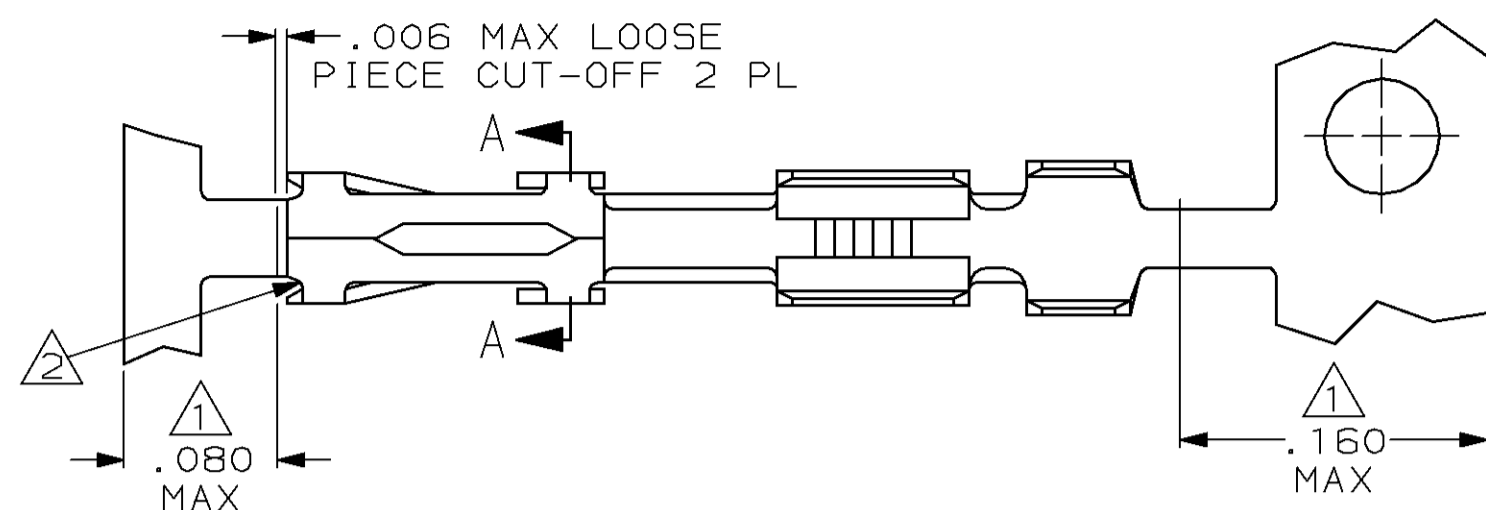


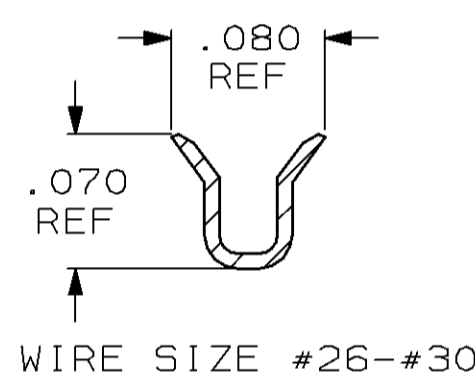
THIS DRAWING IS UNPUBLISHED. RELEASED FOR PUBLICATION, 19  
 © COPYRIGHT 19 BY AMP INCORPORATED, HARRISBURG, PA. ALL INTERNATIONAL RIGHTS RESERVED. AMP PRODUCTS MAY BE COVERED BY U.S. AND FOREIGN PATENTS AND/OR PATENTS PENDING.

MOD 30  
 LOC AD  
 DIST 39

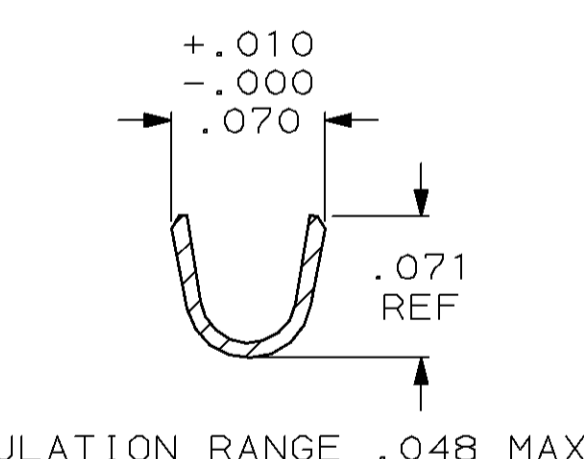
REVISIONS					
ZONE	LTR	DESCRIPTION	DATE	APPROVED	
V		REVISED AND REDRAWN ECN 893	-		
W		REVISED ECN 950	LM 2-7-86	JLG	
W1		REVISED ECN 1041	HM 5-1-86	JLG	
W2		REVISED ECN 1133	5-1-86	-	
W3		OBSOLETE ECN 1821	LDR 2-22-88	JLG	
Y		REV ECN AR2029 2120	DK 9-27-88	JLG	
Z		REV PER ECN AR2491	JPG 6-8-89	-	
AA		REV LOC & DIST AD-4171	3-90	BF	
AB		OBS -4 PER 0010-0976-93	1-94	PS	
AC		REV PER 0010-0646-95	8-18-95	SS	
AD		REV PER 0010-0671-95	1-18-96	SS	
AE		OBS -9 PER 0010-0669-96	31DEC96	JH	



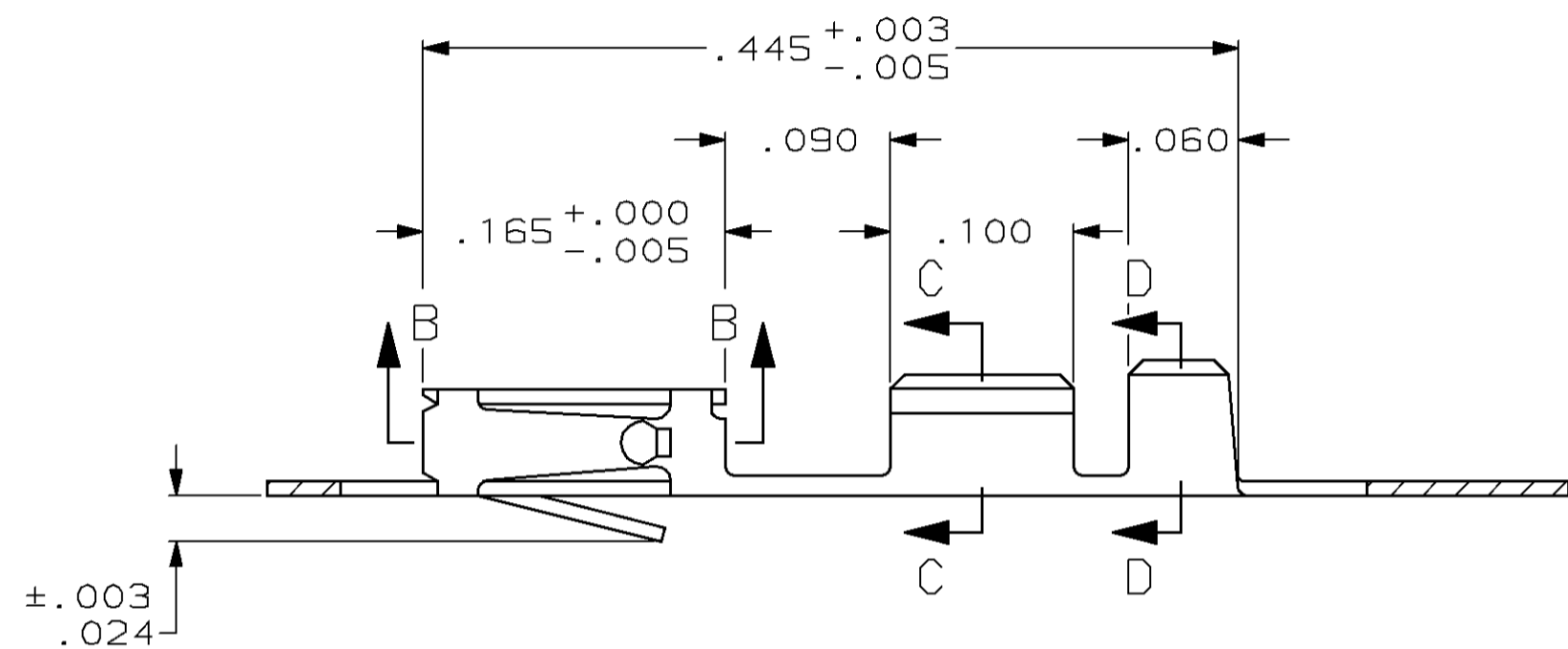
SECTION B-B



SECTION C-C



SECTION D-D



- 1 GOLD PLATING IS NOT REQUIRED IN THIS AREA.
- 2 CUT-OUTS ON THE BOX ARE AT MANUFACTURERS OPTION.
- 3 THIS TERMINAL IS REELED FOR THE STANDARD APPLICATOR.
- 4 THIS TERMINAL IS REELED FOR THE MINI APPLICATOR.
- 5 .000030 GOLD OVER .000050 NICKEL.
- 6 .000030 GOLD ON THE CONTACT AREA, GOLD FLASH ON THE REMAINDER ALL OVER .000050 NICKEL.
- 7 .000100-.000200 BRIGHT TIN-LEAD OVER .000050 NICKEL.
- 8 .000050 GOLD OVER .000050 NICKEL.
- 9 .000015 GOLD ON THE CONTACT AREA, GOLD FLASH ON THE REMAINDER ALL OVER .000050 NICKEL.
- 10 .000100 GOLD ON THE CONTACT AREA, .000030 GOLD ON THE REMAINDER ALL OVER .000050 NICKEL.
- 11 POINT OF MEASUREMENT FOR PLATING THICKNESS (INSIDE BEAMS).
- 12 .000015 GOLD IN CONTACT AREA, .000050 NICKEL ON ENTIRE TERMINAL
- 13 OBSOLETE PART NUMBER.

UNLESS OTHERWISE SPECIFIED DIMENSIONS ARE IN INCHES TOLERANCES ON :	DR 12-10-85 L.D.RINGLEY
2 PL DEC ± -	CHK 12-16-85 J.L.GESFORD
3 PL DEC ± .005	APPD 12-16-85 J.L.GESFORD
ANGLES ± -	APPD 12-16-85 CLIFFORD LINDGREN
MATERIAL: BERYLLIUM COPPER, .008 THICK	PRODUCT SPEC 108-25,020
FINISH: SEE TABLE	APPLICATION SPEC 114-25,003
	WEIGHT -

3	12	13 -7	1-13 -9
4	12	13 -7	1-13 -8
4	10	13 -6	1-13 -1
4	8		1-85967-0
4	7		85967-9
4	6		85967-8
4	5		85967-7
4	9		85967-6
3	9	86015-5	13 -5
3	8	86015-4	13 85967-4
3	7	86015-3	13 -3
3	6	86015-2	85967-2
3	5	86015-1	13 -1

REMARKS	FINISH	LOOSE PIECE PART NUMBER	PART NUMBER
---------	--------	-------------------------	-------------

<b>AMP</b> AMP INCORPORATED Harrisburg, Pa. 17105		
NAME <b>CONTACT, MOD IV, RECEPTACLE, CRIMP SNAP-IN</b>		
SIZE <b>C</b>	FSCM NO 00779	DRAWING NO 85967
SCALE NTS	SHEET 1 - 1	

## X-ON Electronics

Largest Supplier of Electrical and Electronic Components

*Click to view similar products for [Headers & Wire Housings](#) category:*

*Click to view products by [TE Connectivity](#) manufacturer:*

Other Similar products are found below :

[892-18-020-10-001101](#) [58102-G61-06LF](#) [582553-1](#) [0009485154](#) [009176003701906](#) [0050291907](#) [LY20-4P-DT1-P1E-BR](#) [02.125.8002.8](#)  
[609-3404](#) [61062-3](#) [61082-181009](#) [622-3653LF](#) [63453-116](#) [636-1030](#) [636-1427](#) [636-3427](#) [636-4007](#) [641938-9](#) [641991-4](#) [644827-2](#) [65817-010LF](#) [65817-015LF](#) [65863-015LF](#) [66207-023LF](#) [67095-007LF](#) [67601157](#) [68645-018](#) [68648-049](#) [70.362.1628.0](#) [70-4210](#) [70-4226B](#) [70-4853B](#) [707-5020](#) [707-5028](#) [71.350.2428.0](#) [71918-208LF](#) [71961-016LF](#) [733-134](#) [733-162](#) [754199-000](#) [760-3052](#) [787-8014-00](#) [79531-3000](#)  
[FCN-360C032-B](#) [FCN-367T-T012/H](#) [FCN-723D010/2](#) [80.063.4001.1](#) [800-90-001-10-001000](#) [800-90-010-10-002000](#) [801-43-002-10-013000](#)