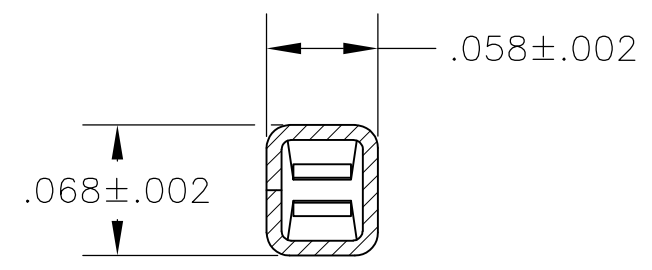
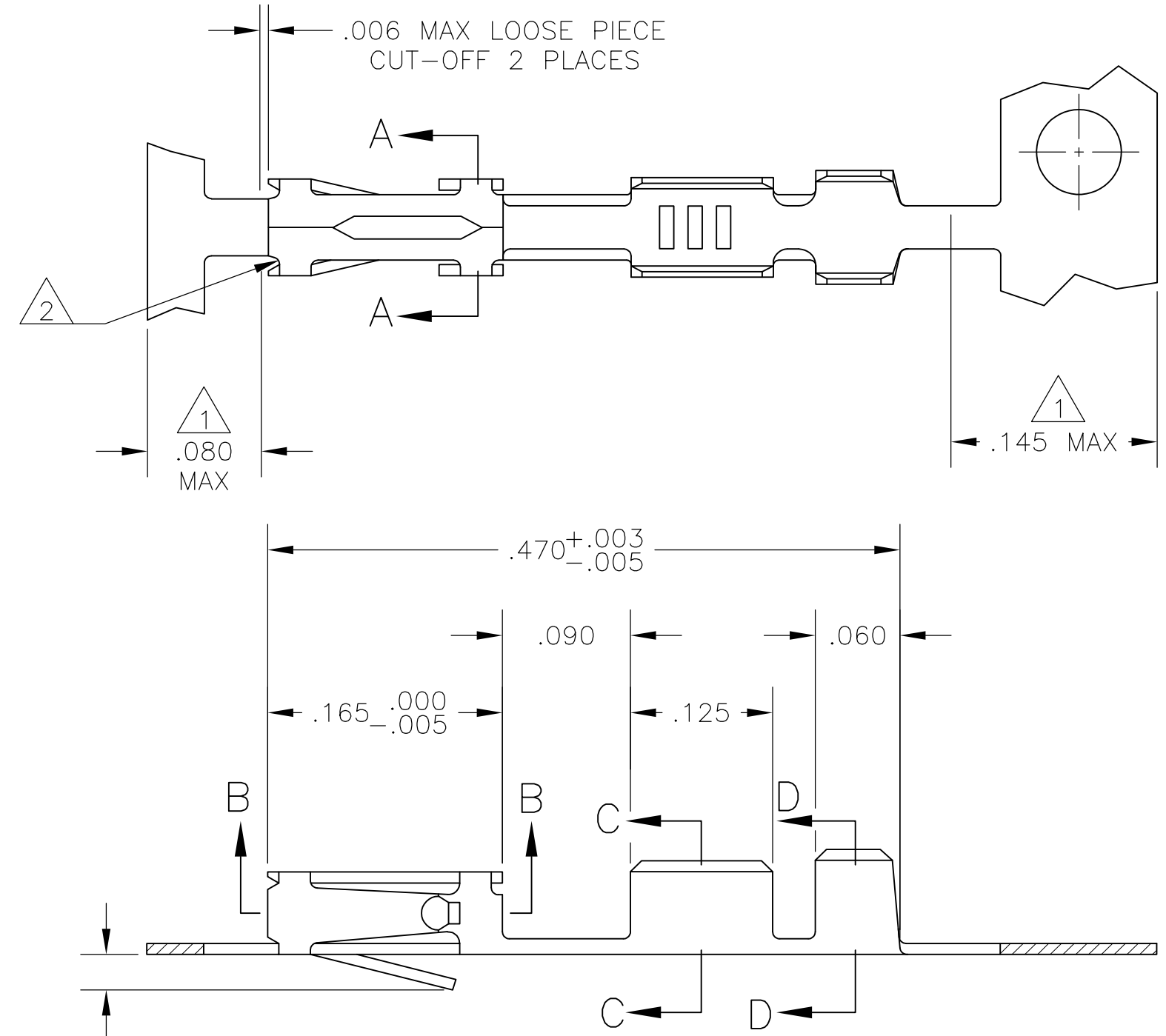
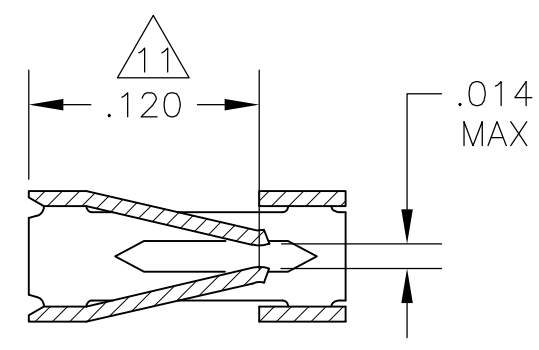


THIS DRAWING IS UNPUBLISHED. RELEASED FOR PUBLICATION
 © COPYRIGHT - By - ALL RIGHTS RESERVED.

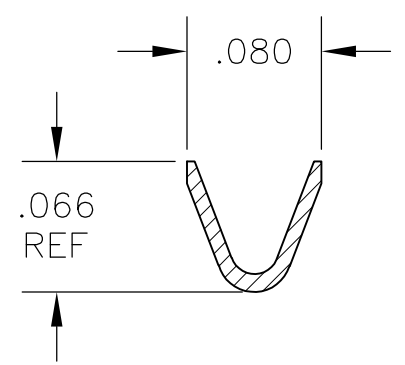
LOC		DIST		REVISIONS			
P	LTR	DESCRIPTION		DATE	DWN	APVD	
AD	00	AE	REVISED PER ECO-15-004633	30MAY2015	NK	JO	



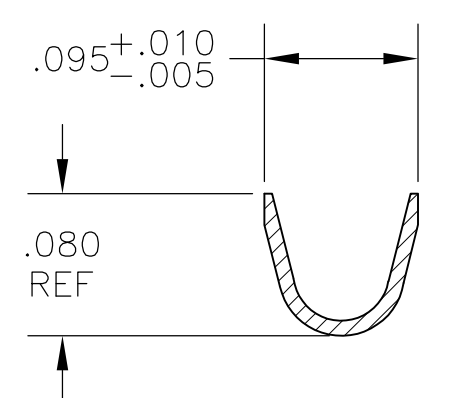
SECTION A-A



SECTION B-B



WIRE SIZE #24-#20
SECTION C-C



INSULATION RANGE .069 MAX
SECTION D-D

- 1 GOLD PLATING IS NOT REQUIRED IN THIS AREA.
- 2 CUT-OUTS ON THE BOX ARE AT MANUFACTURERS OPTION.
- 3 THIS TERMINAL IS REELED FOR THE STANDARD APPLICATOR.
- 4 THIS TERMINAL IS REELED FOR THE MINI APPLICATOR.
- 5 .000030 GOLD OVER .000050 NICKEL.
- 6 .000030 GOLD ON THE CONTACT AREA, GOLD FLASH ON THE REMAINDER ALL OVER .000050 NICKEL.
- 7 PREPLATED:(HALT) .000078-.000158 BRIGHT TIN.
- 8 .000050 GOLD OVER .000050 NICKEL.
- 9 .000015 GOLD ON THE CONTACT AREA, GOLD FLASH ON THE REMAINDER ALL OVER .000050 NICKEL.
- 10 .000050 GOLD ON THE CONTACT AREA, GOLD FLASH ON THE REMAINDER ALL OVER .000050 NICKEL.
- 11 POINT OF MEASUREMENT FOR PLATING THICKNESS (INSIDE BEAMS).
- 12 .000015 GOLD IN CONTACT AREA, .000050 NICKEL ON ENTIRE TERMINAL.
- 13 OBSOLETE PART NUMBER.
- 14 OBSOLETE PARTS: OBSOLETE CIS STREAMLINING PER D.RENAUD/D.SINISI.

4	12	13 -7	13 2-85969-0
3	3	12	13 -7 1-85969-9
3	10	13 -6	13 1-85969-8
4	4	10	13 -6 1-85969-7
4	8	86016-4	1-85969-0
4	4	7	86016-3 85969-9
4	6	86016-2	85969-8
4	4	5	86016-1 85969-7
4	9	86016-5	85969-6
3	3	9	86016-5 13 85969-5
3	8	86016-4	14 85969-4
3	3	7	86016-3 13 85969-3
3	6	86016-2	85969-2
SUPERSEDED BY 85969-4		3	5 86016-1 85969-1

REMARKS	FINISH	LOOSE PIECE PART NUMBER	PART NUMBER
---------	--------	-------------------------	-------------

THIS DRAWING IS A CONTROLLED DOCUMENT.		DWN L.D.RINGLEY 10DEC85	TE Connectivity	
DIMENSIONS: INCHES		CHK J.L.GESFORD 16DEC85		
TOLERANCES UNLESS OTHERWISE SPECIFIED:		APVD J.L.GESFORD 16DEC85	NAME	
0 PLC ± -		PRODUCT SPEC 108-25, 020	CONTACT, MOD IV, RECEPTACLE, CRIMP SNAP-IN	
1 PLC ± -		APPLICATION SPEC 114-25, 003	SIZE A2	CAGE CODE 00779
2 PLC ± -		WEIGHT -	DRAWING NO C=85969	RESTRICTED TO -
3 PLC ± .005		CUSTOMER DRAWING	SCALE 10:1	SHEET 1 of 1
4 PLC ± -			REV AE	
ANGLES ± -				
FINISH SEE TABLE				

X-ON Electronics

Largest Supplier of Electrical and Electronic Components

Click to view similar products for [Headers & Wire Housings](#) category:

Click to view products by [TE Connectivity](#) manufacturer:

Other Similar products are found below :

[892-18-020-10-001101](#) [58102-G61-06LF](#) [582553-1](#) [0009485154](#) [009176003701906](#) [0050291907](#) [LY20-4P-DT1-P1E-BR](#) [02.125.8002.8](#)
[609-3404](#) [61062-3](#) [61082-181009](#) [622-3653LF](#) [63453-116](#) [636-1030](#) [636-1427](#) [636-3427](#) [636-4007](#) [641938-9](#) [641991-4](#) [644827-2](#) [65817-](#)
[010LF](#) [65817-015LF](#) [65863-015LF](#) [66207-023LF](#) [67095-007LF](#) [67601157](#) [68645-018](#) [68648-049](#) [70.362.1628.0](#) [70-4210](#) [70-4226B](#) [70-](#)
[4853B](#) [707-5020](#) [707-5028](#) [71.350.2428.0](#) [71918-208LF](#) [71961-016LF](#) [733-134](#) [733-162](#) [754199-000](#) [760-3052](#) [787-8014-00](#) [79531-3000](#)
[FCN-360C032-B](#) [FCN-367T-T012/H](#) [FCN-723D010/2](#) [80.063.4001.1](#) [800-90-001-10-001000](#) [800-90-010-10-002000](#) [801-43-002-10-013000](#)