

THIS DRAWING IS UNPUBLISHED.

RELEASED FOR PUBLICATION

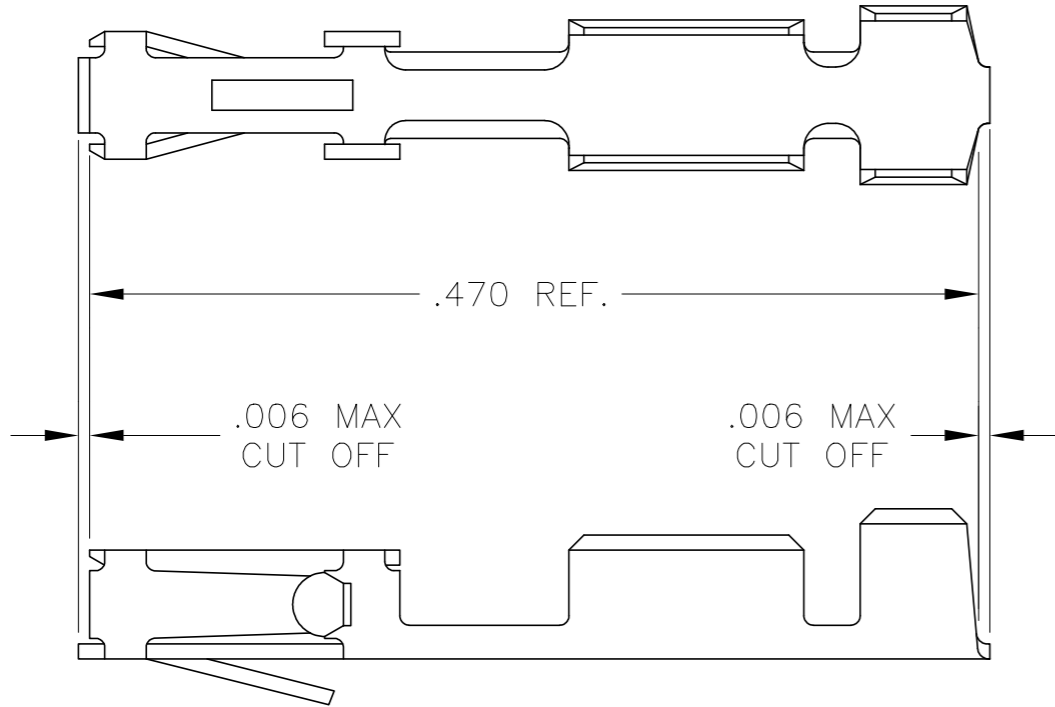
--

REVISIONS

© COPYRIGHT - By -

ALL RIGHTS RESERVED.

P	LTR	DESCRIPTION	DATE	DWN	APVD
	C	REVISED PER ECO-15-004633	30MAY2015	NK	JO
	C1	REVISED PER ECO-19-016614	13NOV2019	RS	JO



- 1 WIRE RANGE: #20-#24.
- 2 INSULATION RANGE: .069 MAX. DIA.
- 3 FOR SECTIONS AND ADDITIONAL DIMENSIONS SEE AMP CUSTOMER DRAWING#85969.

OBSOLETE	PART NUMBER	FINISH
	86016-6	GOLD FLASH OVER .000050 NICKEL ENTIRE CONTACT,.000050 GOLD IN CONTACT AREA
	86016-5	GOLD FLASH OVER .000050 NICKEL ENTIRE CONTACT,.000015 GOLD IN CONTACT AREA
	86016-4	.000050 GOLD OVER .000050 NICKEL
	86016-3	PREPLATED:(HALT).000078-.000158 BRIGHT TIN
	86016-2	GOLD FLASH OVER .000050 NICKEL ENTIRE CONTACT,.000030 GOLD IN CONTACT AREA
	86016-1	.000030 GOLD OVER .000050 NICKEL

THIS DRAWING IS A CONTROLLED DOCUMENT.		DWN E.C. CLAYBAUGH	STE TE Connectivity	
		CHK		
DIMENSIONS: INCHES	TOLERANCES UNLESS OTHERWISE SPECIFIED:	APVD	NAME	
	0 PLC ± -	PRODUCT SPEC	RECEPTACLE CONTACT, MOD IV CRIMP SNAP-IN LOOSE PIECE	
	1 PLC ± -	APPLICATION SPEC		
	2 PLC ± -	WEIGHT	SIZE	CAGE CODE
	3 PLC ± -		A3	00779
MATERIAL	FINISH		DRAWING NO	RESTRICTED TO
CU-NI-SI	-		C=86016	-
CUSTOMER DRAWING			SCALE	SHEET
			10:1	1 OF 1
			REV	C1

X-ON Electronics

Largest Supplier of Electrical and Electronic Components

Click to view similar products for [Headers & Wire Housings](#) category:

Click to view products by [TE Connectivity](#) manufacturer:

Other Similar products are found below :

[892-18-020-10-001101](#) [58102-G61-06LF](#) [582553-1](#) [0009485154](#) [009176003701906](#) [0050291907](#) [LY20-4P-DT1-P1E-BR](#) [02.125.8002.8](#)
[609-3404](#) [61062-3](#) [61082-181009](#) [622-3653LF](#) [63453-116](#) [636-1030](#) [636-1427](#) [636-3427](#) [636-4007](#) [641938-9](#) [641991-4](#) [644827-2](#) [65817-](#)
[010LF](#) [65817-015LF](#) [65863-015LF](#) [66207-023LF](#) [67095-007LF](#) [67601157](#) [68645-018](#) [68648-049](#) [70.362.1628.0](#) [70-4210](#) [70-4226B](#) [70-](#)
[4853B](#) [707-5020](#) [707-5028](#) [71.350.2428.0](#) [71918-208LF](#) [71961-016LF](#) [733-134](#) [733-162](#) [754199-000](#) [760-3052](#) [79531-3000](#) [FCN-](#)
[360C032-B](#) [FCN-367T-T012/H](#) [FCN-723D010/2](#) [80.063.4001.1](#) [800-90-010-10-002000](#) [801-43-002-10-013000](#) [801-43-006-10-002000](#)
[801-93-011-10-001000](#)