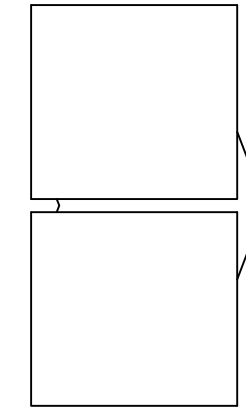
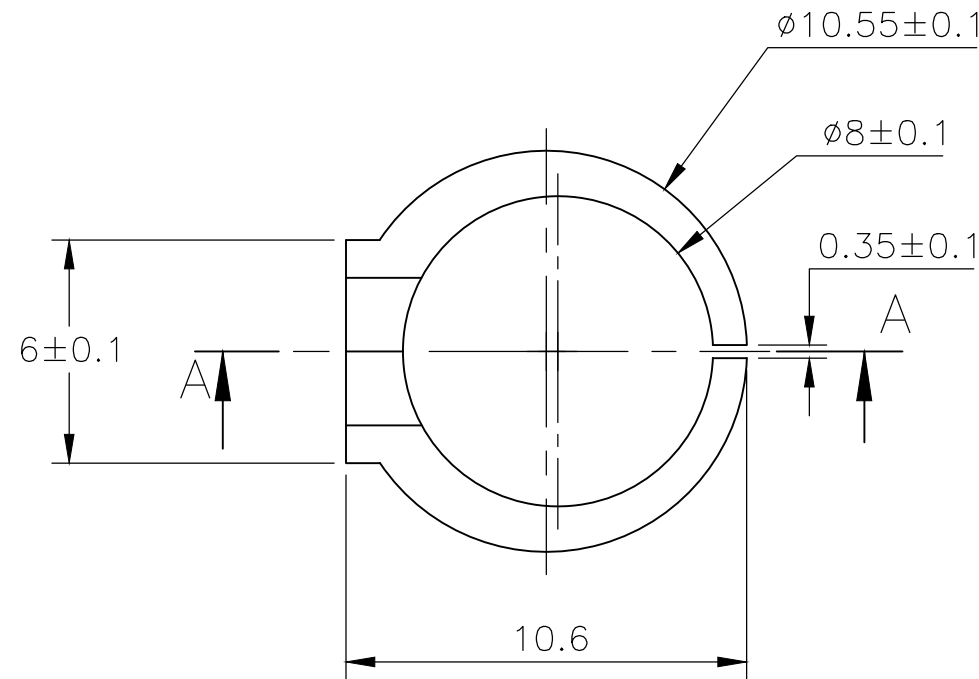
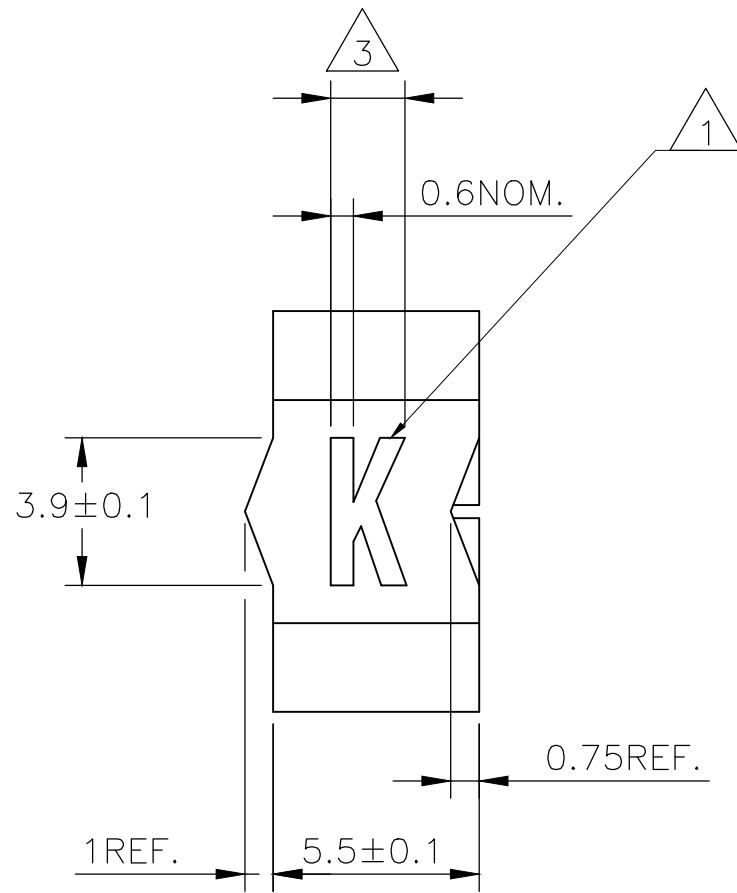
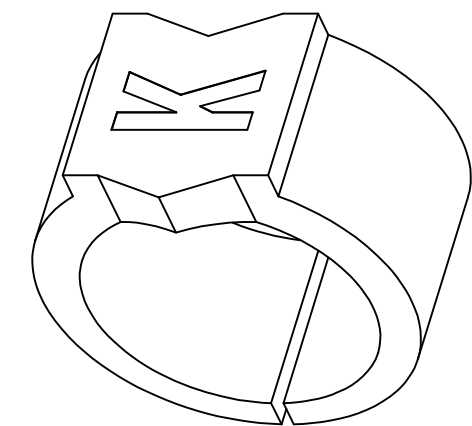
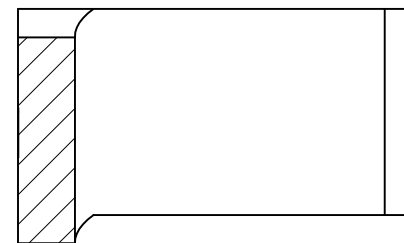


P	LTR	DESCRIPTION	DATE	DWN	APVD
	3	REVISED PER ECR-20-010947	04AUG2020	GK	AK



A-A



NOTES:

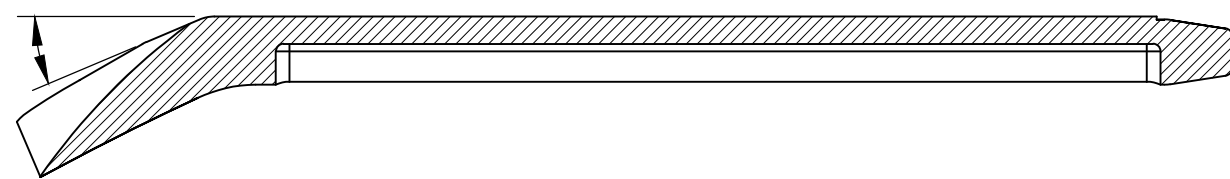
- 1 FOR PART NUMBERS SEE SHEET 3 OF 3.
- 2 MARK SHOULD BE CENTRALLY POSITIONED ±0.1mm.
- 3 WIDTH OF MARK DEPENDS ON CHARACTER PRINTED

THIS DRAWING IS A CONTROLLED DOCUMENT.		DWN RAGHAVENDRA K 23MAR2013	TE Connectivity														
		CHK KEAN ALAN 23MAR2013															
DIMENSIONS: mm		APVD MARIO APPELLO 23MAR2013	NAME SNAP-ON MARKER STB/STD SIZE 17 WITH APPLICATOR														
TOLERANCES UNLESS OTHERWISE SPECIFIED:		PRODUCT SPEC	-														
<table border="0"> <tr><td>0 PLC</td><td>± -</td></tr> <tr><td>1 PLC</td><td>± -</td></tr> <tr><td>2 PLC</td><td>± -</td></tr> <tr><td>3 PLC</td><td>± -</td></tr> <tr><td>4 PLC</td><td>± -</td></tr> <tr><td>ANGLES</td><td>± -</td></tr> </table>		0 PLC	± -	1 PLC	± -	2 PLC	± -	3 PLC	± -	4 PLC	± -	ANGLES	± -	APPLICATION SPEC	-		
0 PLC	± -																
1 PLC	± -																
2 PLC	± -																
3 PLC	± -																
4 PLC	± -																
ANGLES	± -																
MATERIAL		WEIGHT	SIZE	CAGE CODE	DRAWING NO	RESTRICTED TO											
-		-	A3	C2290	C-3-1768046-0	-											
CUSTOMER DRAWING			SCALE	SHEET	REV												
			NTS	1 OF 3	3												

P	LTR	DESCRIPTION	DATE	DWN	APVD
-	-	SEE SHEET 1	-	-	-

23°REF.

A-A



117±2

9.5REF.



12±0.1

11.8±0.1

161±2

155°REF.

21REF.

8.6REF.

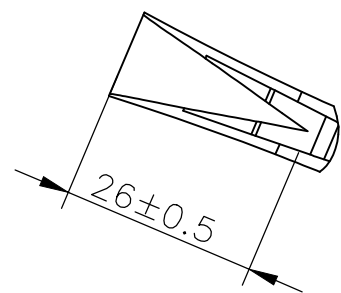
B-B

R1±0.05

1.4±0.1

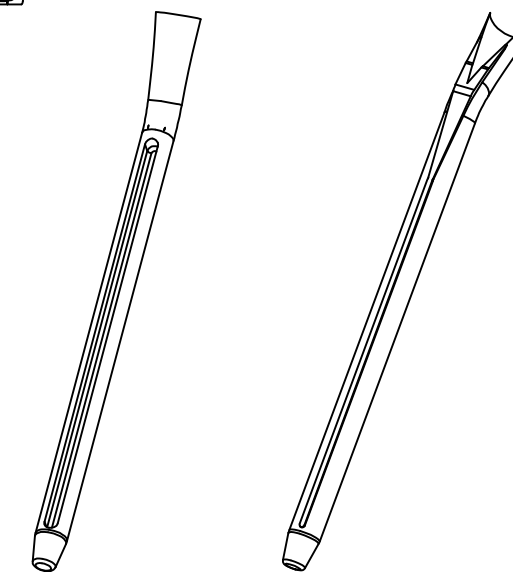
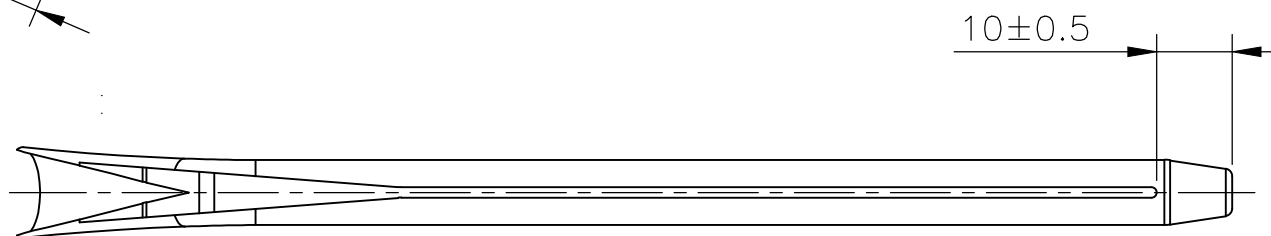
4±0.1

9±0.25



26±0.5

10±0.5



THIS DRAWING IS A CONTROLLED DOCUMENT.

DWN 23MAR2013

RAGHAVENDRA K

CHK 23MAR2013

KEAN ALAN

APVD 23MAR2013

MARIO APPELLO

PRODUCT SPEC

APPLICATION SPEC

WEIGHT -

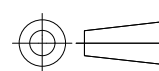
STE TE Connectivity

NAME
SNAP-ON MARKER STB/STD SIZE 17 WITH APPLICATOR

SIZE	CAGE CODE	DRAWING NO	RESTRICTED TO
A3	C2290	C-3-1768046-0	-

DIMENSIONS:

mm



TOLERANCES UNLESS OTHERWISE SPECIFIED:

0 PLC	± -
1 PLC	± -
2 PLC	± -
3 PLC	± -
4 PLC	± -
ANGLES	± -
FINISH	-

MATERIAL

-

FINISH

-

CUSTOMER DRAWING

SCALE NTS

SHEET 2 OF 3

REV 3

REVISIONS

P	LTR	DESCRIPTION	DATE	DWN	APVD
-		SEE SHEET 1	-	-	-

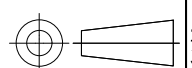
DESCRIPTION	PART NO.
STB17-0-0	1768040-4
STB17-1-1	1768040-6
STB17-2-2	1768040-8
STB17-3-3	1-1768040-0
STB17-5-5	1-1768040-3
STB17-6-6	1-1768040-5
STB17-7-7	1-1768040-7
STB17-8-8	1-1768040-9
STB17-A-2	2-1768040-1
STB17-B-2	2-1768040-2
STB17-BLANK-0	2-1768040-3
STB17-BLANK-2	2-1768040-5
STB17-BLANK-3	2-1768040-6
STB17-BLANK-5	2-1768040-7
STB17-BLANK-6	2-1768040-8
STB17-BLANK-8	3-1768040-0
STB17-MINUS-6	3-1768040-9
STB17-PLUS-2	4-1768040-0
STD17-APPLICATOR	3-1768046-0
STD17W/1-8	4-1768404-1
STD17W-0	527604-000
STD17W-1	203994-000
STD17W-2	183268-000
STD17W-3	364638-000
STD17W-4	901940-000
STD17W-5	286422-000
STD17W-6	630534-000
STD17W-7	805758-000

DESCRIPTION	PART NO.
STD17W-8	117110-000
STD17W-9	187054-000
STD17W-A	265752-000
STD17W-B	810362-000
STD17W-BLANK	3-1768046-3
STD17W-C	201082-000
STD17W-COLON	206906-000
STD17W-D	579356-000
STD17W-DOT	3-1768046-6
STD17W-E	899028-000
STD17W-EARTH	3-1768046-7
STD17W-F	519516-000
STD17W-G	126680-000
STD17W-H	435224-000
STD17W-I	860516-000
STD17W-J	608890-000
STD17W-K	851872-000
STD17W-L	336396-000
STD17W-M	198170-000
STD17W-MINUS	4-1768046-4
STD17W-N	160164-000
STD17W-P	206748-000
STD17W-PLUS	4-1768046-7
STD17W-Q	826344-000
STD17W-R	122436-000
STD17W-S	755828-000
STD17W-SLASH	777264-000
STD17W-T	320388-000
STD17W-U	888064-000
STD17W-V	556206-000
STD17W-W	670780-000
STD17W-X	634758-000
STD17W-Y	527804-000


DESCRIPTION	PART NO.
STD17W-Z	192346-000
STD17Y-0	4-1768046-9
STD17Y-1	5-1768046-0
STD17Y-2	5-1768046-1
STD17Y-3	5-1768046-2
STD17Y-4	5-1768046-3
STD17Y-5	5-1768046-4
STD17Y-6	5-1768046-5
STD17Y-7	5-1768046-6
STD17Y-8	5-1768046-7
STD17Y-9	5-1768046-8
STD17Y-A	5-1768046-9
STD17Y-B	6-1768046-2
STD17Y-BLANK	6-1768046-3
STD17Y-C	6-1768046-5
STD17Y-COLON	6-1768046-6
STD17Y-D	6-1768046-7
STD17Y-DOT	6-1768046-9
STD17Y-E	7-1768046-0
STD17Y-EARTH	7-1768046-1
STD17Y-F	7-1768046-3
STD17Y-G	7-1768046-5
STD17Y-H	7-1768046-7
STD17Y-I	7-1768046-9
STD17Y-J	8-1768046-0
STD17Y-K	8-1768046-1
STD17Y-L	8-1768046-3
STD17Y-M	8-1768046-5
STD17Y-MINUS	8-1768046-6
STD17Y-N	8-1768046-8

DESCRIPTION	PART NO.
STD17Y-P	9-1768046-0
STD17Y-PLUS	9-1768046-1
STD17Y-Q	9-1768046-2
STD17Y-R	9-1768046-3
STD17Y-S	9-1768046-5
STD17Y-SLASH	9-1768046-6
STD17Y-T	9-1768046-7
STD17Y-U	9-1768046-8
STD17Y-V	9-1768046-9
STD17Y-W	1768047-1
STD17Y-X	1768047-2
STD17Y-Y	1768047-3
STD17Y-Z	1768047-4
STB17-BLANK-1	2-1768040-4
STB17-BLANK-7	2-1768040-9
STD17W-AC	3-1768046-1
STD17Y-AC	6-1768046-0

THIS DRAWING IS A CONTROLLED DOCUMENT.

DIMENSIONS: mm	TOLERANCES UNLESS OTHERWISE SPECIFIED:
	0 PLC ± - 1 PLC ± - 2 PLC ± - 3 PLC ± - 4 PLC ± - ANGLES ± -
MATERIAL	FINISH
-	-

DWN	23MAR2013
RAGHAVENDRA K	
CHK	23MAR2013
KEAN ALAN	
APVD	23MAR2013
MARIO APPELLO	
PRODUCT SPEC	
APPLICATION SPEC	
WEIGHT	-
CUSTOMER DRAWING	

 TE Connectivity			
NAME		SNAP-ON MARKER STB/STD SIZE 17 WITH APPLICATOR	
SIZE	CAGE CODE	DRAWING NO	RESTRICTED TO
A3	C2290	C-3-1768046-0	-
SCALE		SHEET	REV
NTS		3 OF 3	3

X-ON Electronics

Largest Supplier of Electrical and Electronic Components

Click to view similar products for [Wire Labels & Markers](#) category:

Click to view products by [TE Connectivity](#) manufacturer:

Other Similar products are found below :

[89078GBEST](#) [89082GBESR](#) [89082GBEST](#) [PCL025-4](#) [5761-2SF](#) [58400](#) [586R734H02](#) [M1.040.0000.6](#) [CRS-CM5M](#) [CRS-M18M](#) [CS1836-000](#) [CS8626-000](#) [CU6337-000](#) [CU6342-000](#) [CU6343-000](#) [CWD01-0](#) [CWD012-0](#) [CWD012-7](#) [CWD015-3](#) [CWD015-7](#) [CWD02-0](#) [CWD02-3](#) [CWD02-4](#) [CWD02-6](#) [CWD02-8](#) [CWD02-A](#) [CWD02-D](#) [CWD02-H](#) [CWD02-K](#) [CWD02-L](#) [CWD02-M](#) [CWD02-P](#) [CWD02-Q](#) [CWD02-R](#) [CWD02-U](#) [CWD02-W](#) [CWD02-Y](#) [CWD03-+](#) [CWD03-0](#) [CWD03-P](#) [CWD06-0](#) [CWD06-8](#) [CWD06-9](#) [CWD06-L](#) [CWD06-N](#) [CWD09-0](#) [CWD09-5](#) [CWD09-7](#) [6806810001](#) [CZ2857-000](#)