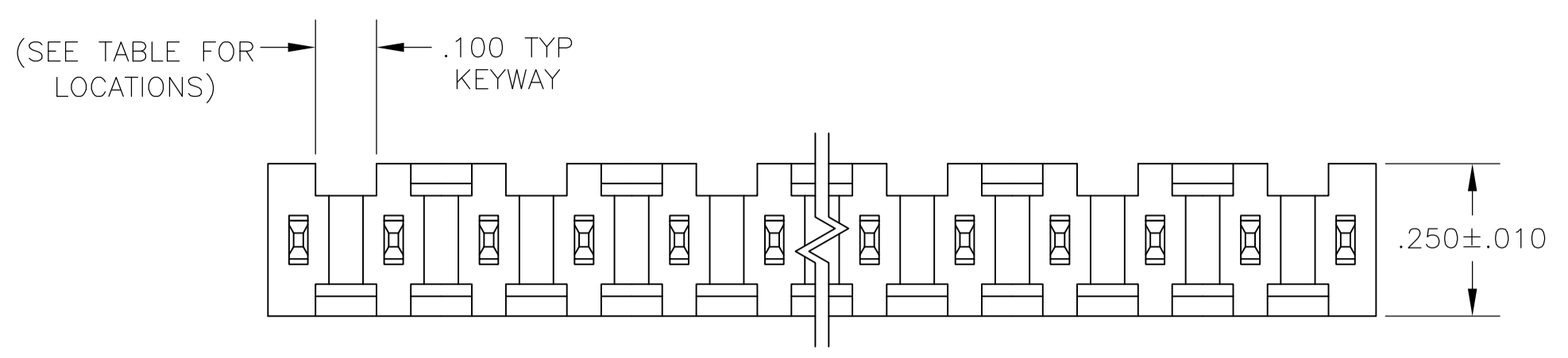
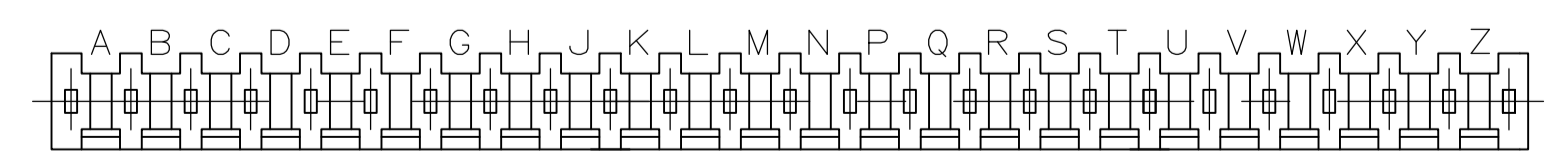
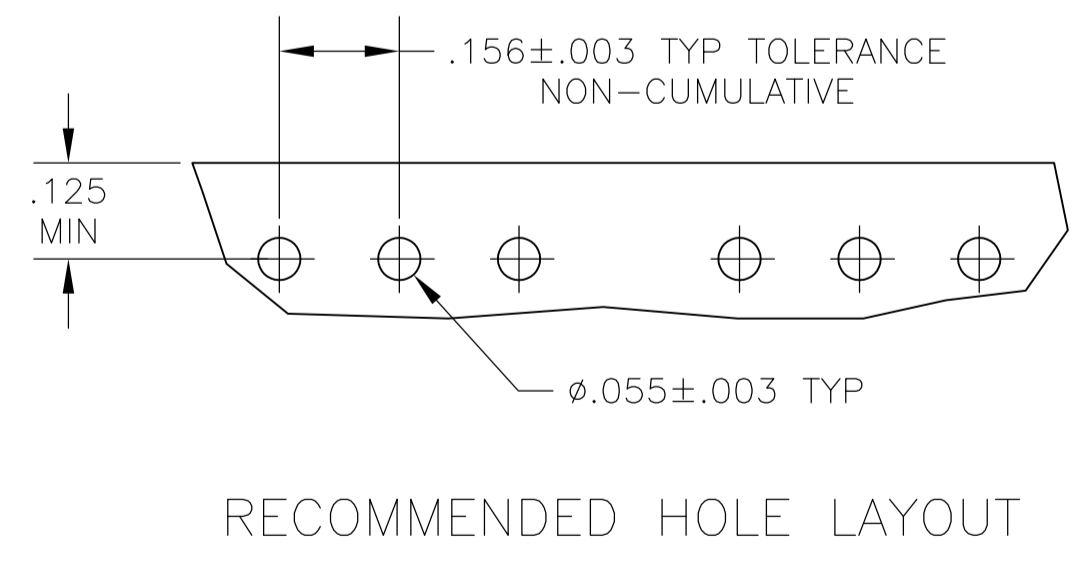
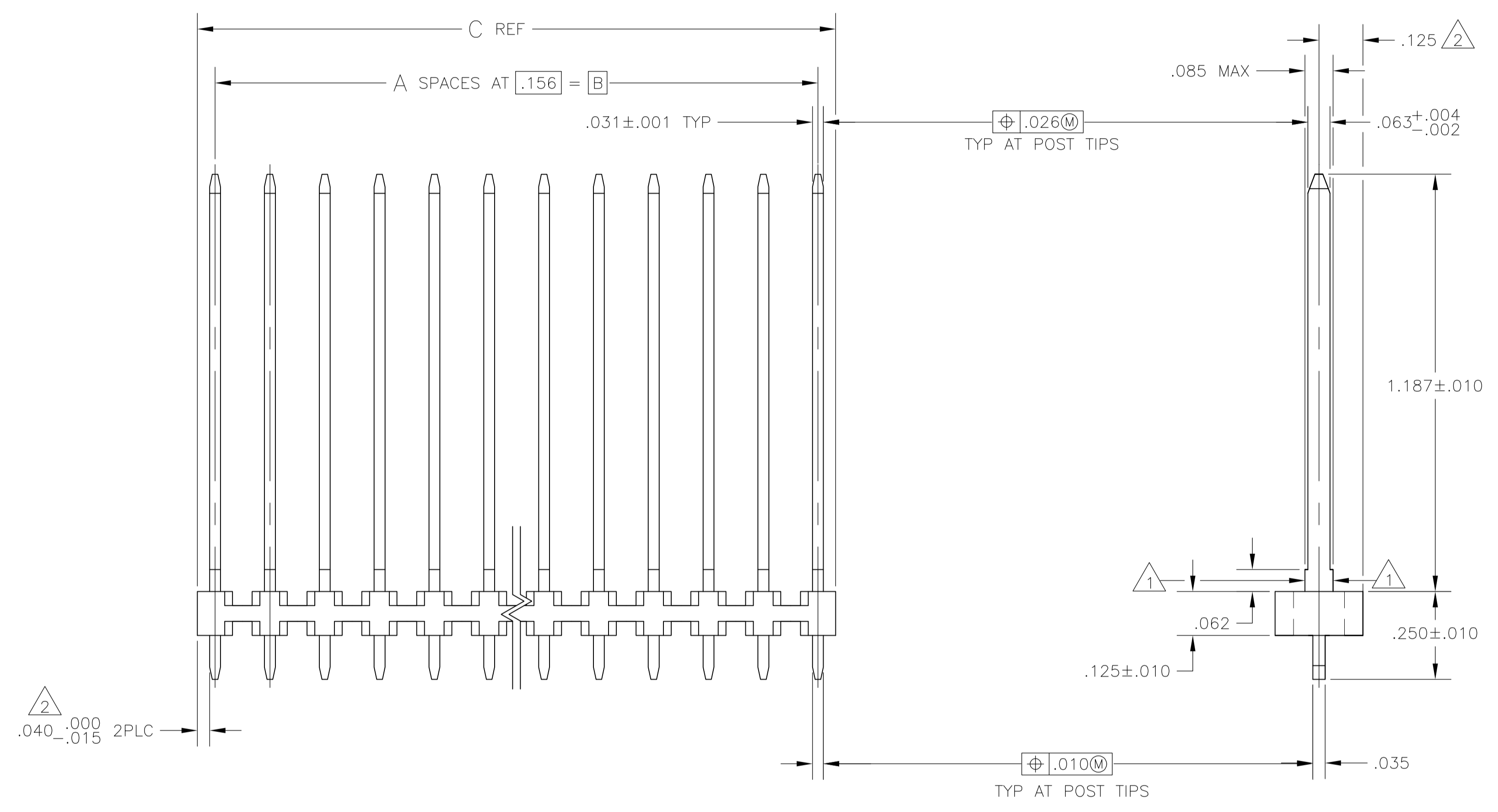


LOC		DIST		REVISIONS			
AD	39	REV	DATE	BY	CHK	APP	
K1		REVISED PER ECO-08-017295	06NOV08	HMR		NE	
K2		REVISED PER ECO-09-020932	24AUG09	KK		AEG	



- 1 THESE SURFACES WILL NOT BE PLATED
- 2 THE NOTED DIMENSIONS APPLY AT THE INTERSECTION OF THE POST AND THE HOUSING
- 3 FINISH: POSTS: .000100 - .000200 TIN LEAD OVER .000030 MIN NICKEL
- 4 FINISH: POSTS: .000100 - .000200 MATTE TIN OVER .000030 MIN NICKEL
- 5 OBSOLETE PARTS: OBSOLETE CIS STREAMLINING PER D.RENAUD/D.SINISI



KEYWAY LOCATIONS (REF-SEE TABLE)
 (MATING LENGTH OF POST ON NEAR SIDE)
 SCALE: 2:1

REV	DESCRIPTION	DATE	BY	CHK	APP	REV	DESCRIPTION	DATE	BY	CHK	APP	
4	A,C	2	.579	.468	3	4	5-86207-9					
4	A,D	2	.735	.624	4	5	5-86207-3					
4	A	1	.423	.312	2	3	5-86207-2					
OBSOLETE	A,C,E	3	1.047	.936	6	7	1-87207-0					
3	A,C	2	.579	.468	3	4	87207-9					
OBSOLETE	A	1	.267	.156	1	2	87207-8					
OBSOLETE	NONE	0	5.415	5.304	34	35	87207-7					
OBSOLETE	A,D,G	3	1.359	1.248	8	9	87207-6					
OBSOLETE	A,C,E,G	4	1.203	1.092	7	8	86207-5					
OBSOLETE	A,C,E	3	.891	.780	5	6	87207-4					
OBSOLETE 5	A,D	2	.735	.624	4	5	86207-3					
OBSOLETE 3	A	1	.423	.312	2	3	86207-2					
OBSOLETE	A,C,E,G,J	5	1.515	1.404	9	10	86207-1					
FINISH	KEYWAY LOCATIONS	NO OF KEYWAY	C	B	A	NO OF POSN	ASSEMBLY PART NUMBER					

THIS DRAWING IS A CONTROLLED DOCUMENT.

DIMENSIONS: INCHES

TOLERANCES UNLESS OTHERWISE SPECIFIED:

0 PLC	± .005
1 PLC	± .004
2 PLC	± .003
3 PLC	± .002
4 PLC	± .001
ANGLES	± .001

MATERIAL: HOUSING - FLAME RETARDANT THERMOPLASTIC. COLOR - BLACK. POSTS - BRASS.

FINISH: SEE TABLE

REV: H. MOLL 11MAR88, E. TREECE 23MAR88, F. TREECE 23MAR88

NAME: Tyco Electronics Corporation, Harrisburg, PA 17105-3608

PRODUCT SPEC: 108-25016

APPLICATION SPEC: 108-25016

SIZE: A1

WEIGHT: 0.00779

CUSTOMER DRAWING

SCALE: 4:1

SHEET 1 OF 1

REV: K2

X-ON Electronics

Largest Supplier of Electrical and Electronic Components

Click to view similar products for [Headers & Wire Housings](#) category:

Click to view products by [TE Connectivity](#) manufacturer:

Other Similar products are found below :

[892-18-020-10-001101](#) [58102-G61-06LF](#) [582553-1](#) [0009485154](#) [009176003701906](#) [0050291907](#) [LY20-4P-DT1-P1E-BR](#) [02.125.8002.8](#)
[609-3404](#) [61062-3](#) [61082-181009](#) [622-3653LF](#) [63453-116](#) [636-1030](#) [636-1427](#) [636-3427](#) [636-4007](#) [641938-9](#) [641991-4](#) [644827-2](#) [65817-](#)
[010LF](#) [65817-015LF](#) [65863-015LF](#) [66207-023LF](#) [67095-007LF](#) [67601157](#) [68645-018](#) [68648-049](#) [70.362.1628.0](#) [70-4210](#) [70-4226B](#) [70-](#)
[4853B](#) [707-5020](#) [707-5028](#) [71.350.2428.0](#) [71918-208LF](#) [71961-016LF](#) [733-134](#) [733-162](#) [754199-000](#) [760-3052](#) [79531-3000](#) [FCN-](#)
[360C032-B](#) [FCN-367T-T012/H](#) [FCN-723D010/2](#) [80.063.4001.1](#) [800-90-001-10-001000](#) [800-90-010-10-002000](#) [801-43-002-10-013000](#)
[801-43-006-10-002000](#)