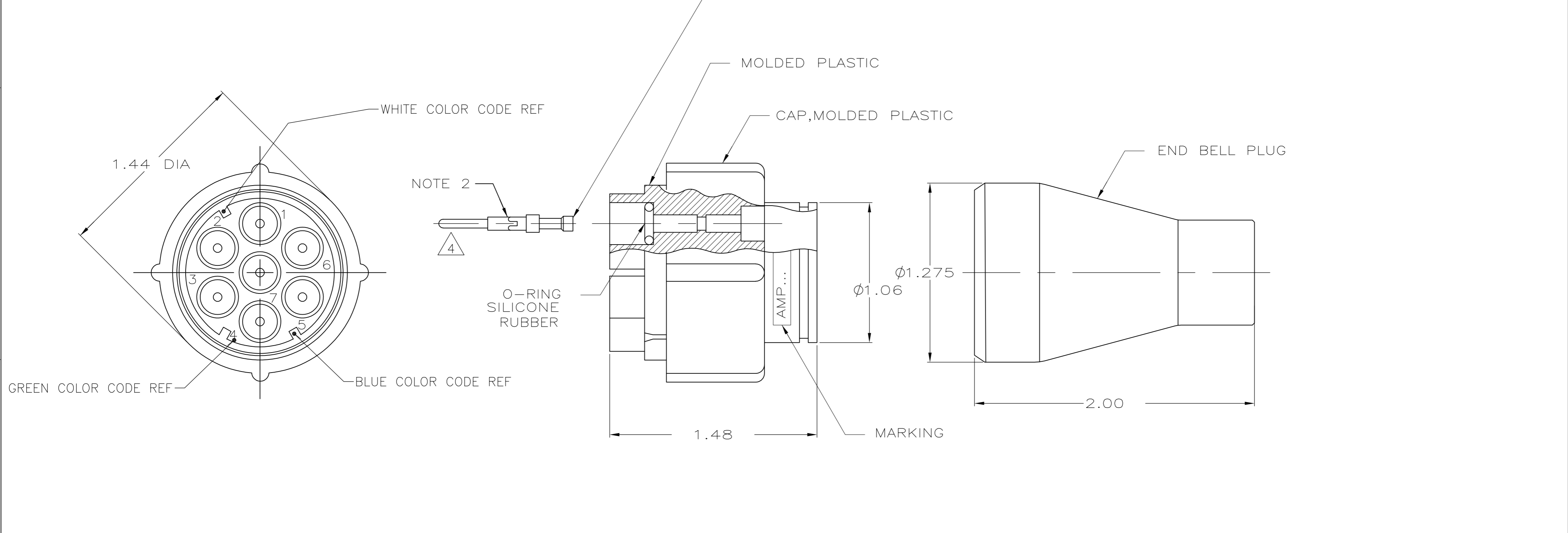


THIS DRAWING IS UNPUBLISHED. RELEASED FOR PUBLICATION
 © COPYRIGHT - By - ALL RIGHTS RESERVED.

LOC		DIST		REVISIONS			
P	LTR	DESCRIPTION	DATE	DWN	APVD		
	F	REV PER ECO-15-013197	13OCT15	KG	DM		

PART NO.	WIRE SIZE RANGE	COLOR CODE	REMARKS	
863024-1	20,22,24	NO	200679-1	
863024-2	16,18	NO	200681-1	
863024-3	14	NO	201645-1	
863024-5	20,22,24	YES	-	OBSOLETE
863024-6	16,18	YES	200681-1	
863024-7	14	YES	-	OBSOLETE
863024-8	-	YES	NO PINS OR O-RINGS	



1. PLUG ASSEMBLY WILL WITHSTAND WITHOUT BREAKDOWN 27KVDC PIN TO PIN AND 27KVDC PIN TO GROUND. WHEN MATED WITH RECEPTACLE 861647-1.
 2. TO REMOVE PINS USE EXTRACTION TOOL #861751-1.
 3. CAVITY TO ACCEPT AMP PINS TYPE II SIZE 16.
- △ CRIMP CONTACTS PER TE 408-7516 AS SPECIFIED FOR EACH CONTACT PART NUMBER.

THIS DRAWING IS A CONTROLLED DOCUMENT.		DWN	J.E.BEATTY	25JAN00		TE Connectivity		
DIMENSIONS: INCHES		CHK	D.G.EABY	25JAN00		NAME		
TOLERANCES UNLESS OTHERWISE SPECIFIED:		APVD	D.G.EABY	25JAN00		PLUG ASSY, H.V., 7 PIN		
0 PLC ± - 1 PLC ± - 2 PLC ± .04 3 PLC ± .015 4 PLC ± - ANGLES ± - FINISH BLACK		PRODUCT SPEC	SIZE			CAGE CODE	DRAWING NO	
MATERIAL		APPLICATION SPEC	WEIGHT			A2	00779	
			CUSTOMER DRAWING			C=863024	RESTRICTED TO	
			SCALE			2:1	SHEET 1 of 1	
			REV			F		

863024

X-ON Electronics

Largest Supplier of Electrical and Electronic Components

Click to view similar products for [Standard Circular Connector](#) category:

Click to view products by [TE Connectivity](#) manufacturer:

Other Similar products are found below :

[5M2530B10P](#) [600259N006](#) [600273N007](#) [6134-336-13149](#) [6134-337-11149](#) [6134-337-2390](#) [6134-341-17149](#) [6280-4SG-516](#) [6280-7SG-3DC](#)
[6290](#) [6291A](#) [66200A-10](#) [680-SMG](#) [681-PMG](#) [CXS3102A14S2P](#) [CXS3102A181S](#) [7251-5SG-300](#) [7271-6SG-300](#) [7282-3PG-300-CH3](#) [75-](#)
[474618-01S](#) [75-474618-04P](#) [75-474618-04S](#) [799539-000](#) [MI8-SE](#) [805-005-07NF11-19PC](#) [805-005-07NF15-7PA](#) [8280-4PG-516](#) [8280-7PG-](#)
[519](#) [8282-5PG-519](#) [836783-1](#) [MP-4102-25P-C](#) [862256-1](#) [864019-2](#) [866857-1](#) [867865-1](#) [PT01SP-14-18P](#) [PT08P-14-5S](#) [PTSF06SE-14-12S](#)
[120-1833-000](#) [QCM019PC2DC012B](#) [1-2069279-1](#) [121583-0217](#) [121667-0020](#) [129591AU](#) [1000B BULK](#) [RD10A16-19-P6CS051/1](#)
[RD10A20-31-P8CS051/1](#) [RD16A14-12-S6CS051/2](#) [1301240290](#) [1301240347](#) [1301860202](#)