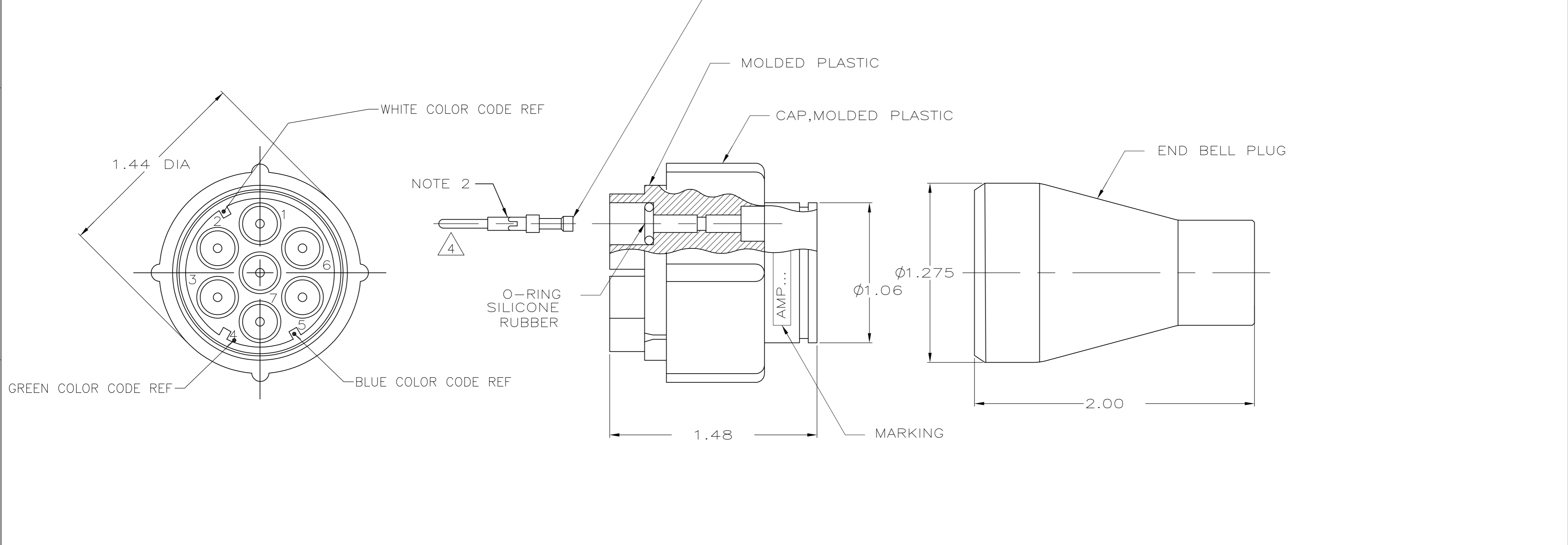


THIS DRAWING IS UNPUBLISHED. RELEASED FOR PUBLICATION
 © COPYRIGHT - By - ALL RIGHTS RESERVED.

LOC		DIST		REVISIONS			
P	LTR	DESCRIPTION	DATE	DWN	APVD		
	F	REV PER ECO-15-013197	13OCT15	KG	DM		

PART NO.	WIRE SIZE RANGE	COLOR CODE	REMARKS	
863024-1	20,22,24	NO	200679-1	
863024-2	16,18	NO	200681-1	
863024-3	14	NO	201645-1	
863024-5	20,22,24	YES	-	OBSOLETE
863024-6	16,18	YES	200681-1	
863024-7	14	YES	-	OBSOLETE
863024-8	-	YES	NO PINS OR O-RINGS	



1. PLUG ASSEMBLY WILL WITHSTAND WITHOUT BREAKDOWN 27KVDC PIN TO PIN AND 27KVDC PIN TO GROUND. WHEN MATED WITH RECEPTACLE 861647-1.
 2. TO REMOVE PINS USE EXTRACTION TOOL #861751-1.
 3. CAVITY TO ACCEPT AMP PINS TYPE II SIZE 16.
- △ CRIMP CONTACTS PER TE 408-7516 AS SPECIFIED FOR EACH CONTACT PART NUMBER.

THIS DRAWING IS A CONTROLLED DOCUMENT.		DWN	J.E.BEATTY	25JAN00		TE Connectivity			
DIMENSIONS: INCHES		CHK	D.G.EABY	25JAN00		NAME			
TOLERANCES UNLESS OTHERWISE SPECIFIED:		APVD	D.G.EABY	25JAN00		PLUG ASSY, H.V., 7 PIN			
0 PLC ± - 1 PLC ± - 2 PLC ± .04 3 PLC ± .015 4 PLC ± - ANGLES ± - FINISH BLACK		PRODUCT SPEC	SIZE			CAGE CODE	DRAWING NO	RESTRICTED TO	
MATERIAL		APPLICATION SPEC	A2 00779			C=863024			
		WEIGHT	-			SCALE 2:1		SHEET 1 OF 1	REV F
		CUSTOMER DRAWING							

863024

X-ON Electronics

Largest Supplier of Electrical and Electronic Components

Click to view similar products for [Standard Circular Connector](#) category:

Click to view products by [TE Connectivity](#) manufacturer:

Other Similar products are found below :

[C015](#) [10F006](#) [001](#) [1](#) [5M2530B10P](#) [600259N006](#) [600273N007](#) [600432N009](#) [6280-2PG-519](#) [6280-3PG-311](#) [6280-3SG-311](#) [6280-7SG-3DC](#)
[6280-7SG-522](#) [6282-5PG-311](#) [6282-6PG-519](#) [6282-8SG-311](#) [6283-11](#) [6283-15](#) [6290](#) [6382-2PG-311](#) [6382-2PG-3DC](#) [6382-2SG-321](#) [6382-2SG-3DC](#) [6382-4SG-516](#) [67-03E20-37P](#) [681-PMG](#) [CXS3102A14S2P](#) [CXS3102A181S](#) [CXS3106A14S6S](#) [MB12P-1](#) [MB12R-6](#) [7251-2PG-300](#) [7251-2SG-300](#) [7251-4PG-300](#) [7251-4SG-300](#) [7251-5PG-300](#) [7251-5SG-300](#) [7251-6SG-300](#) [7251-7PG-300](#) [7251-8PG-300](#) [7271-6SG-300](#) [7282-3PG-300-CH3](#) [73000005663](#) [75-190216-08S](#) [75-190218-10P](#) [75-474118-10P](#) [75-474618-01S](#) [75-474620-07P](#) [799539-000](#) [MI8-SE](#) [80-190222-18P](#) [805-005-07NF11-19PC](#) [805-005-07NF15-7PA](#)