

4

3

2

1

THIS DRAWING IS UNPUBLISHED.

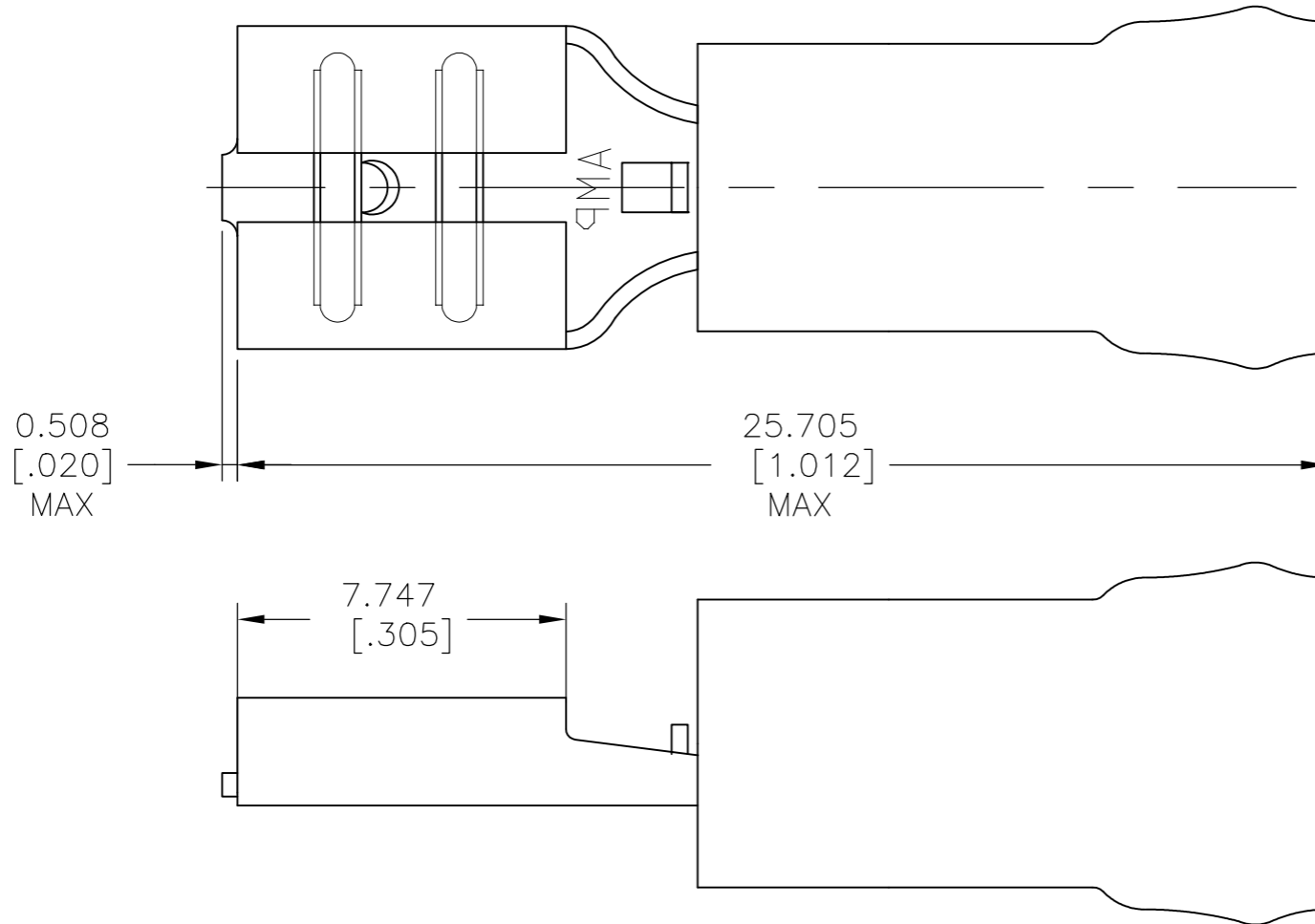
RELEASED FOR PUBLICATION

ALL RIGHTS RESERVED.

© COPYRIGHT - By -

REVISIONS

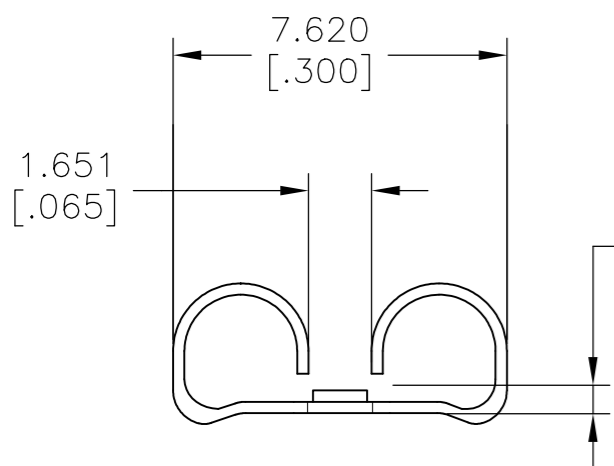
P	LTR	DESCRIPTION	DATE	DWN	APVD
	J2	REVISED PER ECO-11-004587	11MAR11	RK	HMR
	J3	REVISED PER ECO-18-014192	07SEP2018	RS	DR



1. INSULATION DIA .250 MAX
2. FITS TAB .032 THK

△ 3 FINISH:
 BODY & SLEEVE: 0.00254[.000100]
 MIN THK TIN PER ASTM B545

AMP WIRE RANGE	FILE E66717	LR7189 Certified
12-10 AWG STRANDED	12-10 AWG STRANDED	12-10 AWG STRANDED



FITS "250" SERIES FASTON TAB

100	LOOSE PC,BOX	8-640907-1
2500	TAPE MOUNTED	640907-2
500	LOOSE PIECE	640907-1
QTY	PACKAGE TYPE	PART NO

TE CONNECTIVITY CUSTOMER SERVICE SYSTEM		MAX RECOMMENDED OPERATING TEMPERATURE: 105°C[221°F] -	THIS DRAWING IS A CONTROLLED DOCUMENT.		DWN L OLMEDA 26JUN95	TE Connectivity NAME RECEPTACLE, 250 SERIES, FASTON , PIDG , 12-10 AWG
FOR ADDITIONAL PRODUCT INFORMATION OR COPIES OF DRAWING AND TECHNICAL DOCUMENTS	PRODUCT INFORMATION CENTER 1-800-522-6752		VOLTAGE RATING: 300V MAX -	DIMENSIONS: mm [INCHES]	TOLERANCES UNLESS OTHERWISE SPECIFIED:	
FOR APPLICATION TOOLING INFORMATION	TOOLING ASSISTANCE CENTER 1-800-722-1111	CIRCULAR MIL AREA: 5,180-13,100 STRANDED		0 PLC ± - 1 PLC ± - 2 PLC ± - 3 PLC ± 0.381[.015] 4 PLC ± - ANGLES ± -	APVD B BARE 26JUN95	
FOR ORDER ENTRY	1-800-526-5142	MATERIAL BODY,BRASS .018 THK PER ASTM B36	FINISH △ 3	PRODUCT SPEC UL 310	APPLICATION SPEC 114-1002	
			CUSTOMER DRAWING		WEIGHT	SIZE A3
					SCALE 6:1	CAGE CODE 00779
					DRAWING NO C-640907	DRAWING NO C-640907
					SHEET 1 OF 1	RESTRICTED TO -
					REV J3	

X-ON Electronics

Largest Supplier of Electrical and Electronic Components

Click to view similar products for [Terminals](#) category:

Click to view products by [TE Connectivity](#) manufacturer:

Other Similar products are found below :

[00-054007-01074-6](#) [00-054007-70206-1](#) [00-054007-70210-8](#) [00-054007-70217-7](#) [00-054007-70226-9](#) [00-054007-70228-3](#) [00-054007-70248-1](#) [00-054007-70256-6](#) [00-054007-70301-3](#) [00-054007-70316-7](#) [0-0320562-0](#) [00-054007-49560-4](#) [00-054007-70209-2](#) [00-054007-70225-2](#) [00-054007-70227-6](#) [00-054007-70231-3](#) [00-054007-70241-2](#) [00-054007-70242-9](#) [00-054007-70244-3](#) [00-054007-70246-7](#) [00-054007-70263-4](#) [00-054007-70288-7](#) [00-054007-70290-0](#) [00-054007-70300-6](#) [00-054007-70304-4](#) [01-2065-1-0216](#) [01-2900-1-04412](#) [00581P0075](#) [600TS-10](#) [60205-1](#) [604200-1](#) [605601-1](#) [60598-1-CUT-TAPE](#) [61314-6-C](#) [61810-3](#) [61-S](#) [61-SN](#) [626-0194](#) [62-NBM-A](#) [62-SN](#) [62-SP](#) [63-S](#) [640179-1](#) [M55155/059I03](#) [M55155/079C01](#) [M55155/099H02](#) [M55155/109H01](#) [M55155/109H02](#) [M55155/12XH05](#) [M55155/16XH02](#)