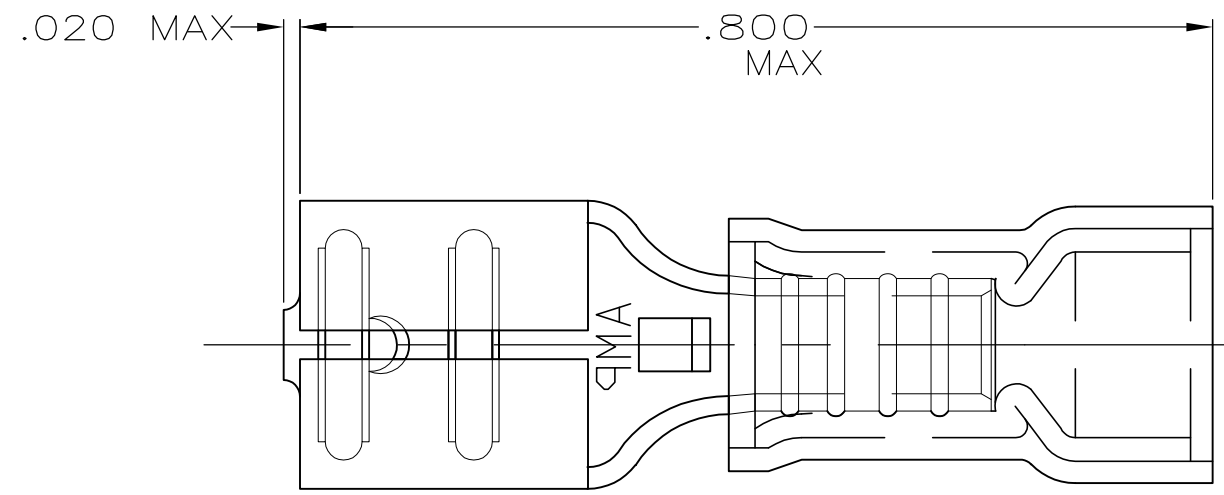
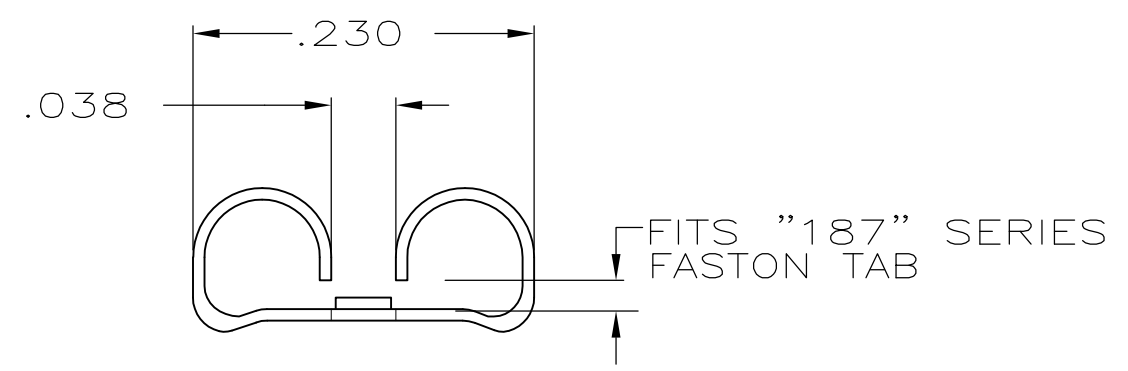
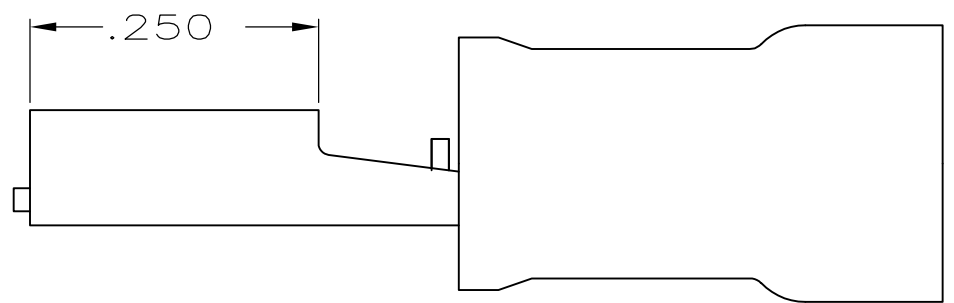


THIS DRAWING IS UNPUBLISHED. RELEASED FOR PUBLICATION
 © COPYRIGHT - By - ALL RIGHTS RESERVED.

LOC	DIST	REVISIONS					
		P	LTR	DESCRIPTION	DATE	DWN	APVD
G	14						
			G1	REVISED PER ECO-11-004820	11MAR11	RK	HMR



- 1. INSULATION DIA .170 MAX
- 2. FITS TAB .020 THK



QTY	PACKAGE TYPE	PART NO
100	LOOSE PC,BOX	8-640919-1
-	TAPE MOUNTED	640919-2
-	LOOSE PIECE	640919-1

AMP INCORPORATED CUSTOMER SERVICE SYSTEM	
FOR ADDITIONAL PRODUCT INFORMATION OR COPIES OF DRAWINGS AND TECHNICAL DOCUMENTS	PRODUCT INFORMATION CENTER 1-800-522-6752
FOR APPLICATION TOOLING INFORMATION	TOOLING ASSISTANCE CENTER 1-800-722-1111
FOR ORDER ENTRY	1-800-526-5142

MAX RECOMMENDED OPERATING TEMPERATURE:
 VOLTAGE RATING:
 CIRCULAR MIL AREA:

THIS DRAWING IS A CONTROLLED DOCUMENT.	
DIMENSIONS: INCHES	TOLERANCES UNLESS OTHERWISE SPECIFIED:
	0 PLC ± -
	1 PLC ± -
	2 PLC ± .015
	3 PLC ± -
	4 PLC ± -
ANGLES ± -	
MATERIAL BODY,BRASS .016 SLV,NYLON,COLOR,BLUE	FINISH BODY,TIN

DWN	L OLMEDA	26JUN95
CHK	M ELLIS	26JUN95
APVD	B BARE	26JUN95
PRODUCT SPEC		
APPLICATION SPEC		
WEIGHT	-	

STE TE Connectivity			
RECEPTACLE, 187 SERIES, FASTON™, PIDG™, WIRE SIZE 16-14			
SIZE	CAGE CODE	DRAWING NO	RESTRICTED TO
A3	00779	C-640919	-
CUSTOMER DRAWING		SCALE	SHEET
		NTS	1 OF 1
		REV	G1

X-ON Electronics

Largest Supplier of Electrical and Electronic Components

Click to view similar products for [Terminals](#) category:

Click to view products by [TE Connectivity](#) manufacturer:

Other Similar products are found below :

[00-054007-01074-6](#) [00-054007-70206-1](#) [00-054007-70210-8](#) [00-054007-70217-7](#) [00-054007-70226-9](#) [00-054007-70228-3](#) [00-054007-70248-1](#) [00-054007-70256-6](#) [00-054007-70301-3](#) [00-054007-70316-7](#) [00-054007-49560-4](#) [00-054007-70209-2](#) [00-054007-70225-2](#) [00-054007-70227-6](#) [00-054007-70231-3](#) [00-054007-70241-2](#) [00-054007-70242-9](#) [00-054007-70244-3](#) [00-054007-70246-7](#) [00-054007-70263-4](#) [00-054007-70288-7](#) [00-054007-70290-0](#) [00-054007-70300-6](#) [00-054007-70304-4](#) [01-2065-1-0216](#) [01-2900-1-04412](#) [00581P0075](#) [600TS-10](#) [60205-1](#) [604200-1](#) [605601-1](#) [60598-1-CUT-TAPE](#) [61314-6-C](#) [61810-3](#) [61-S](#) [61-SN](#) [626-0194](#) [62-NBM-A](#) [62-SN](#) [62-SP](#) [63-S](#) [640179-1](#) [M55155/059I03](#) [M55155/079C01](#) [M55155/099H02](#) [M55155/109H01](#) [M55155/109H02](#) [M55155/12XH05](#) [M55155/16XH02](#) [M55155/29-5S](#)