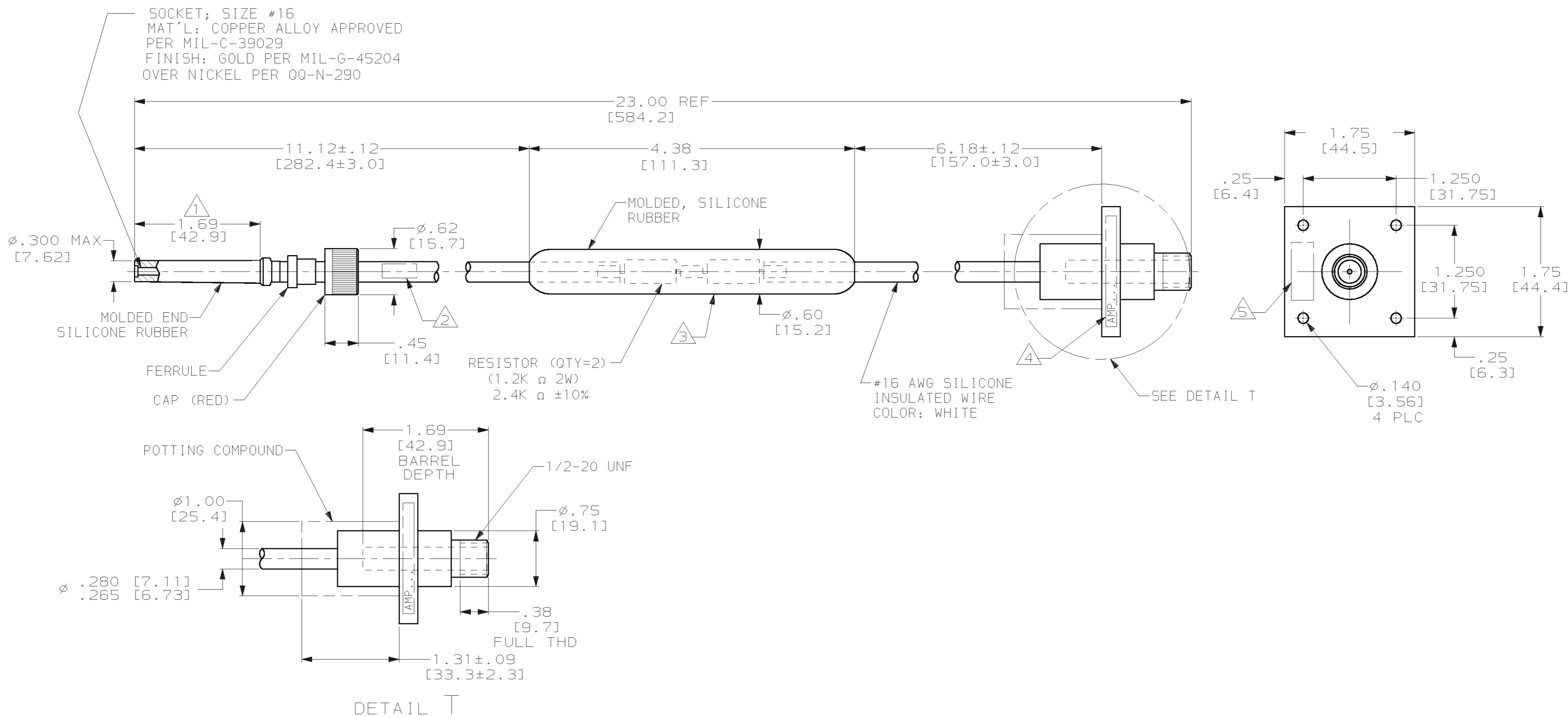


THIS DRAWING IS UNPUBLISHED. RELEASED FOR PUBLICATION .19
 © COPYRIGHT 19 BY AMP INCORPORATED. ALL RIGHTS RESERVED.

LOC	DIST	REVISIONS			
P	LTR	DESCRIPTION	DATE	DWN	APVD
DF	SO	J	REV & REDRAWN; 0600-7210-98	2-99	CT DE



- 1 TO MATE WITH AMP LGH-1L RECEPTACLE WITH 1.69 [42.9] BARREL DEPTH.
- 2 CUSTOMER MARKING (PER TABLE) IN AREA SHOWN PER MIL-STD-130.
- 3 CUSTOMER PART NO. (PER TABLE) AND DATE CODE MARKED IN THIS APPROX AREA PER MIL-STD-130.
- 4 MARKED ON FLANGE, AMP AND AMP PART NO. PER MIL-STD-130.
- 5 CUSTOMER MARKING (PER TABLE) IN AREA SHOWN PER MIL-STD-130.
- 6. PULL TEST: A 20 lb PULLING FORCE SHALL BE APPLIED BETWEEN THE LEAD WIRE AND THE MOLDED CENTER SECTION (RESISTOR MOLD).

J01 (W9-P01)	6133513-1	P01 (PS1-J02)	864203-1
CUSTOMER MARKING	CUSTOMER MARKING	CUSTOMER MARKING	PART NUMBER

THIS DRAWING IS A CONTROLLED DOCUMENT.		DWN C.C. THOMAS 2-11-99	AMP Incorporated Harrisburg, PA 17105-3608	
DIMENSIONS: INCHES [mm]		CHK D.EABY 2-11-99	AMP	
TOLERANCES UNLESS OTHERWISE SPECIFIED:		APVD D.EABY 2-11-99	MOLDED END, RESISTOR LEAD ASSY, POSITIVE STOP, LGH-1L	
0 PLC ±		PRODUCT SPEC	SIZE CAGE CODE DRAWING NO RESTRICTED TO	
1 PLC ±		APPLICATION SPEC	A2 00779 C-864203	
2 PLC ±.02 [0.5]		WEIGHT	SCALE 1:1 SHEET 1 OF 1 REV J	
3 PLC ±.005 [0.13]		CUSTOMER DRAWING		
4 PLC ±				
ANGLES ±				
FINISH				

X-ON Electronics

Largest Supplier of Electrical and Electronic Components

Click to view similar products for [Specialized Cables category](#):

Click to view products by [TE Connectivity manufacturer](#):

Other Similar products are found below :

[585P5S5S](#) [603PT6](#) [603SS6L](#) [604PT6](#) [604SS6](#) [654PT2](#) [654ST2](#) [M83513/04-H02C](#) [M83513/04-H13C](#) [FFA.3S.787.CN](#) [84914-0235](#) [84914-0237](#) [9-1589475-0](#) [1200650264](#) [1200650355](#) [1200650362](#) [1200650392](#) [1200650442](#) [1200650843](#) [1200650880](#) [1200650968](#) [1200651246](#)
[1200651756](#) [1200680096](#) [1200690050](#) [1200690242](#) [1200700133](#) [1200700176](#) [1200700178](#) [1200700218](#) [120070-0224](#) [1200700267](#)
[1200730058](#) [1200730360](#) [120115-0033](#) [1201150044](#) [1200650368](#) [1200650505](#) [1200651330](#) [1200651454](#) [1200651516](#) [1200651571](#)
[1200651580](#) [1200651601](#) [1200652122](#) [1200680196](#) [1200690085](#) [1200690095](#) [1200690153](#) [1200700088](#)