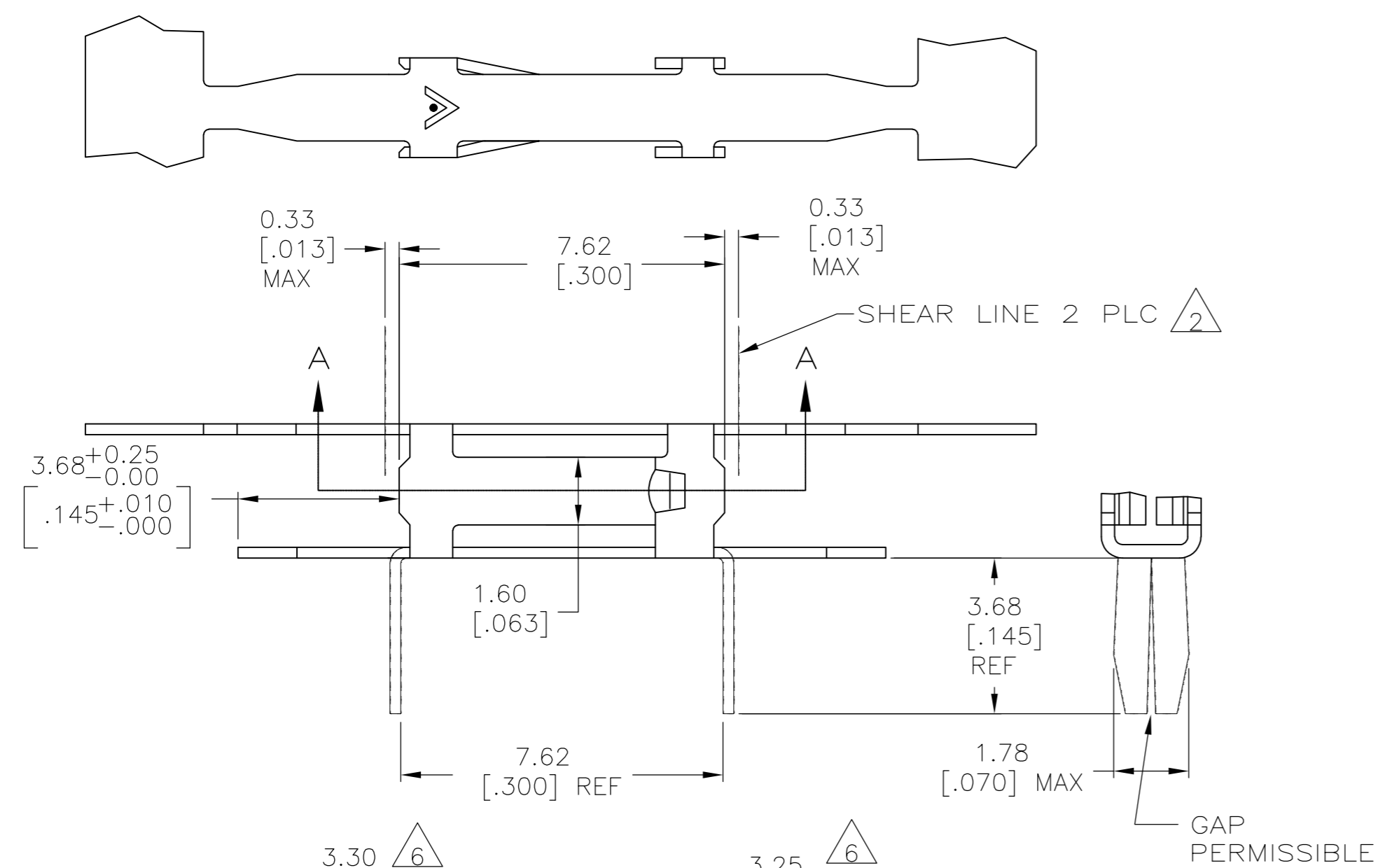
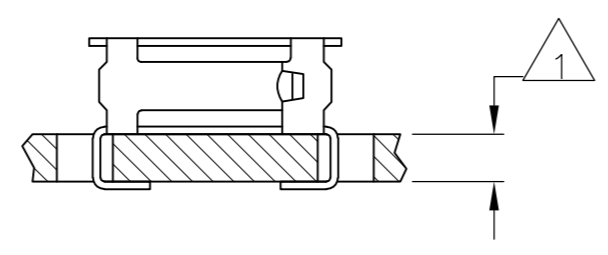
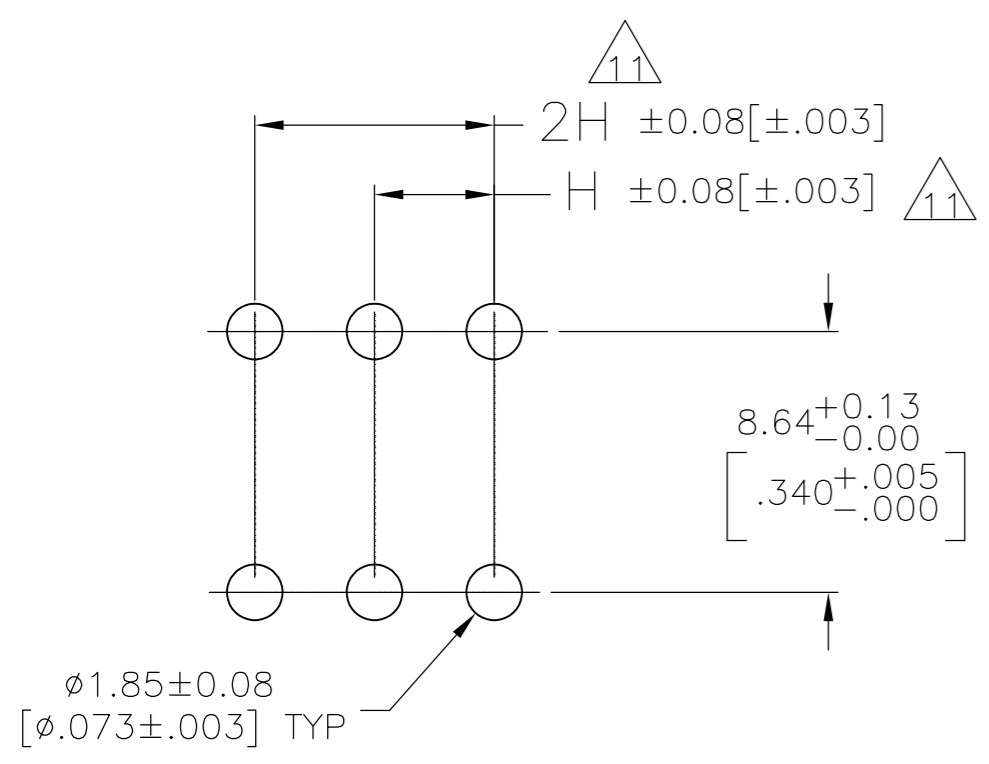
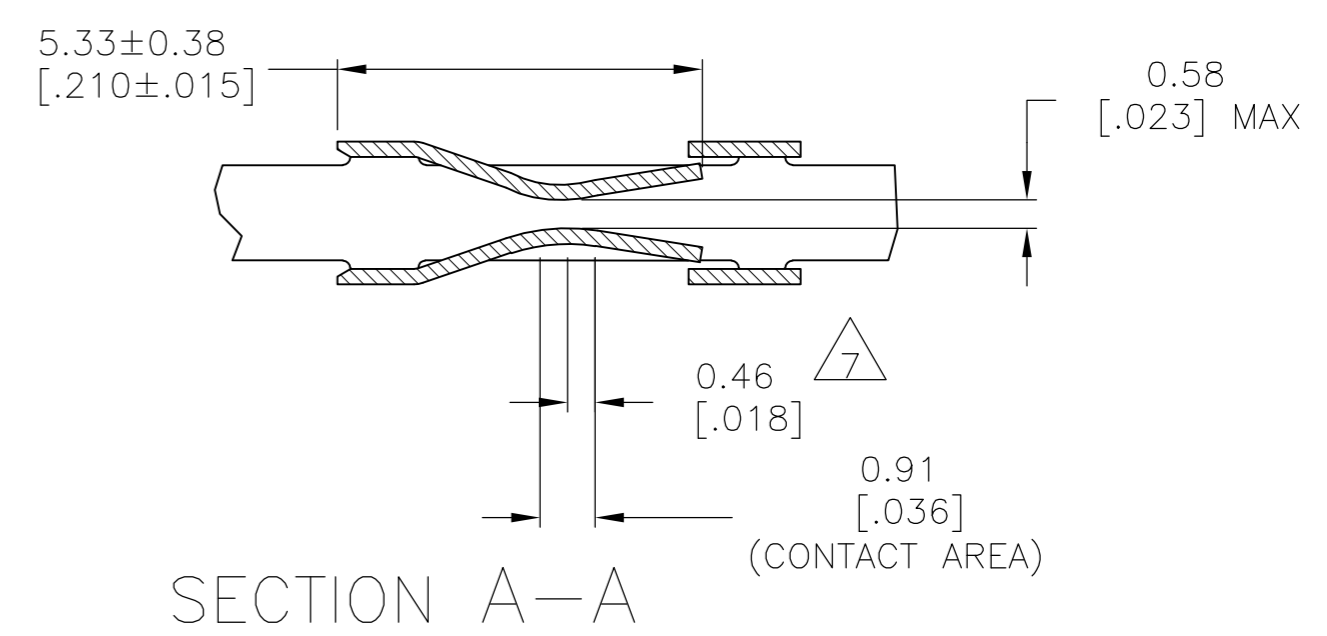
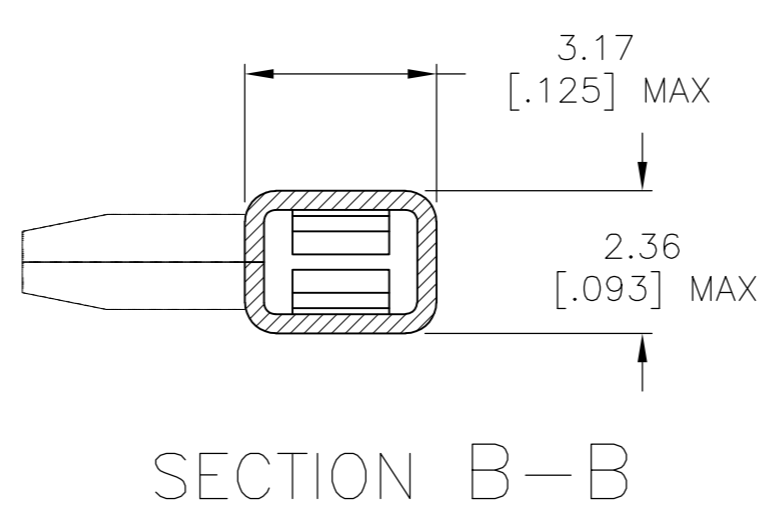
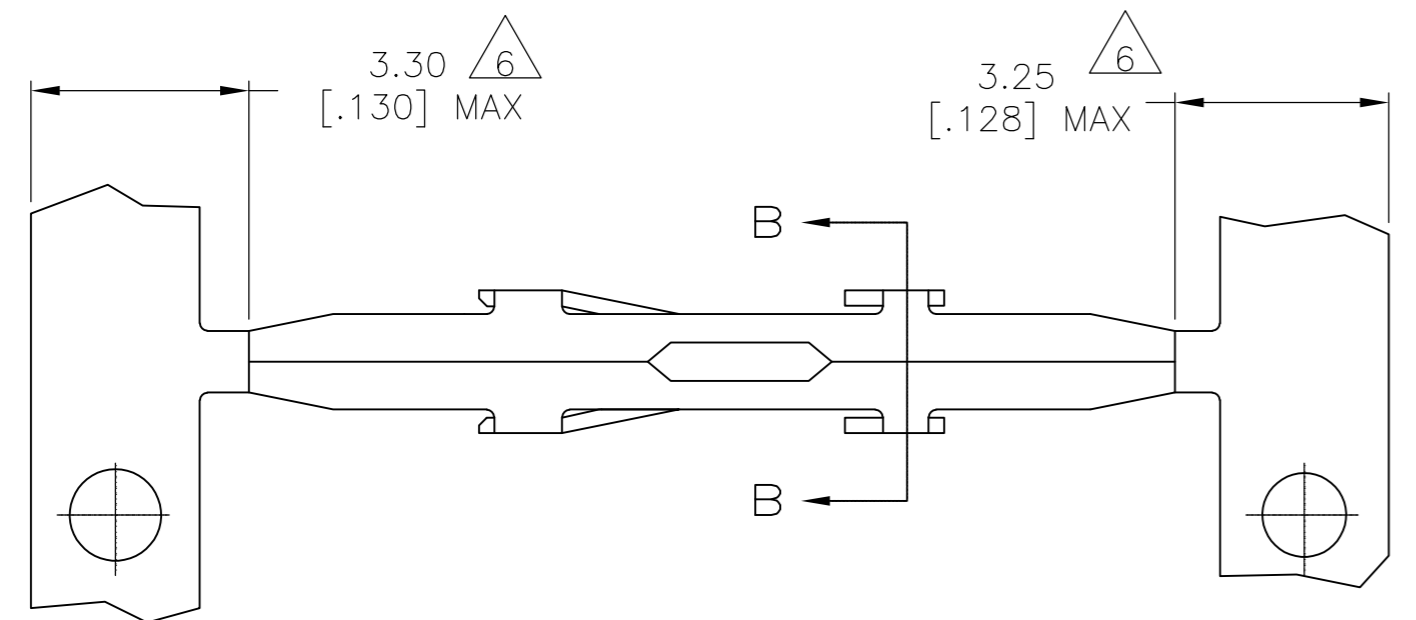


THIS DRAWING IS UNPUBLISHED. RELEASED FOR PUBLICATION
 © COPYRIGHT BY TYCO ELECTRONICS CORPORATION. ALL RIGHTS RESERVED.

LOC	DIST	REVISIONS					
AD	00	P	LTR	DESCRIPTION	DATE	DWN	APVD
		H1		REVISED PER ECO-09-021826	6JAN10	KK	AEG



- 1 THICKNESS OF CUSTOMERS P.C. CARD 1.58[.062] OR 1.36[.093]
- 2 CONTACT LEGS SHOWN IN PHANTOM AND SHEAR LINES DEFINE LOOSE PIECE PART.
- 3 0.25[.010] COML. PHOS. BRZ.
- 4 0.00076[.000030] GOLD OVER 0.00127[.000050] NICKEL IN CONTACT AREA AND REMAINDER GOLD FLASH OVER 0.00127[.000050] NICKEL.
- 5 GOLD FLASH OVER 0.00127[.000050] NICKEL, 0.00038[.000015] GOLD ON CONTACT AREA.
- 6 GOLD PLATING NOT REQUIRED IN THIS AREA.
- 7 POINT OF MEASUREMENT FOR PLATING THICKNESS.
- 8 0.00254[.000100] TIN OVER 0.00127[.000050] NICKEL.
- 9 0.00076[.000030] GOLD OVER NICKEL.
- 10 0.00254-0.00508[.000100-.000200] BRIGHT TIN OVER 0.00076-0.00178[.000030-.000070] NICKEL.
- 11 "H" RECEPTACLE CENTERS MAY VARY DEPENDING ON REQUIREMENTS. MINIMUM NOMINAL CENTERLINE SPACING BETWEEN ADJACENT RECEPTACLES IS 3.18[.125].
- 12 0.00200 [.000079] MIN TIN.
- 13 OBSOLETE PARTS: OBSOLETE CIS STREAMLINING PER D.RENAUD/D.SINISI



RECOMMENDED P.C. BOARD LAYOUT

TYPICAL APPLICATION

13	OBSOLETE	86434-7	5	3	86432-9
	OBSOLETE	-86434-6	4	3	86432-8
		-	-	-	-
	OBSOLETE	86434-5	8	3	86432-5
	OBSOLETE	86434-4	9	3	86432-4
	OBSOLETE	86434-3		3	86432-3
	OBSOLETE	86434-2	10	3	86432-2
		86434-1	12	3	86432-1
	LOOSE PIECE PART NO.	FINISH	MATERIAL	PART NUMBER	

THIS DRAWING IS A CONTROLLED DOCUMENT.		DWN E.BRANDBERG 28DEC96	Tyco Electronics Corporation Harrisburg, Pa 17105-3608	
DIMENSIONS: mm [INCHES]	TOLERANCES UNLESS OTHERWISE SPECIFIED:	CHK J. HERRINGTON 28DEC96	NAME J. HERRINGTON 28DEC96	
	0 PLC ± -	APVD J. HERRINGTON 28DEC96	PRODUCT SPEC	
	1 PLC ± -		APPLICATION SPEC	
	2 PLC ± 0.13[.005]			
	3 PLC ± -			
	4 PLC ± -			
	ANGLES ± -			
MATERIAL SEE TABLE	FINISH SEE TABLE	WEIGHT -	SIZE A2	CAGE CODE 00779
		CUSTOMER DRAWING	DRAWING NO C=86432	
			RESTRICTED TO -	SCALE 8:1
			SHEET 1	OF 1
			REV H1	

X-ON Electronics

Largest Supplier of Electrical and Electronic Components

Click to view similar products for [Headers & Wire Housings](#) category:

Click to view products by [TE Connectivity](#) manufacturer:

Other Similar products are found below :

[892-18-020-10-001101](#) [58102-G61-06LF](#) [582553-1](#) [0009485154](#) [009176003701906](#) [0050291907](#) [LY20-4P-DT1-P1E-BR](#) [02.125.8002.8](#)
[609-3404](#) [61062-3](#) [61082-181009](#) [622-3653LF](#) [63453-116](#) [636-1030](#) [636-1427](#) [636-3427](#) [636-4007](#) [641938-9](#) [641991-4](#) [644827-2](#) [65817-](#)
[010LF](#) [65817-015LF](#) [65863-015LF](#) [66207-023LF](#) [67095-007LF](#) [67601157](#) [68645-018](#) [68648-049](#) [70.362.1628.0](#) [70-4210](#) [70-4226B](#) [70-](#)
[4853B](#) [707-5020](#) [707-5028](#) [71.350.2428.0](#) [71918-208LF](#) [71961-016LF](#) [733-134](#) [733-162](#) [754199-000](#) [760-3052](#) [79531-3000](#) [FCN-](#)
[360C032-B](#) [FCN-367T-T012/H](#) [FCN-723D010/2](#) [80.063.4001.1](#) [800-90-010-10-002000](#) [801-43-002-10-013000](#) [801-43-006-10-002000](#)
[801-93-011-10-001000](#)