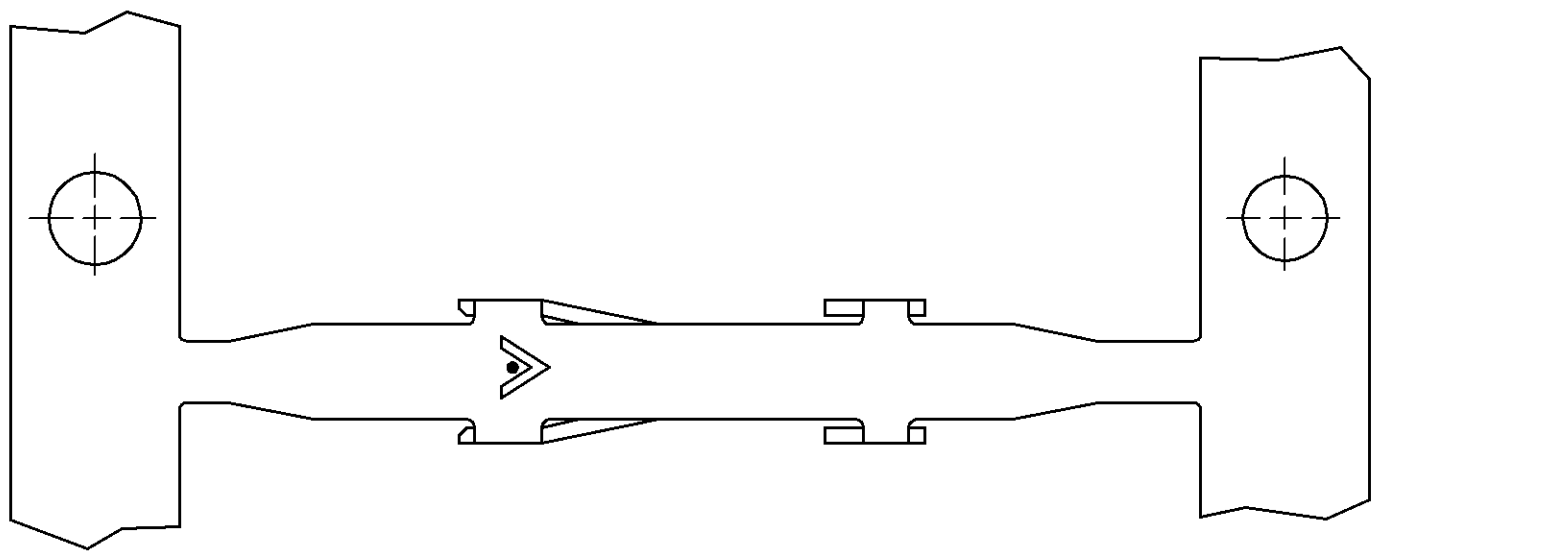
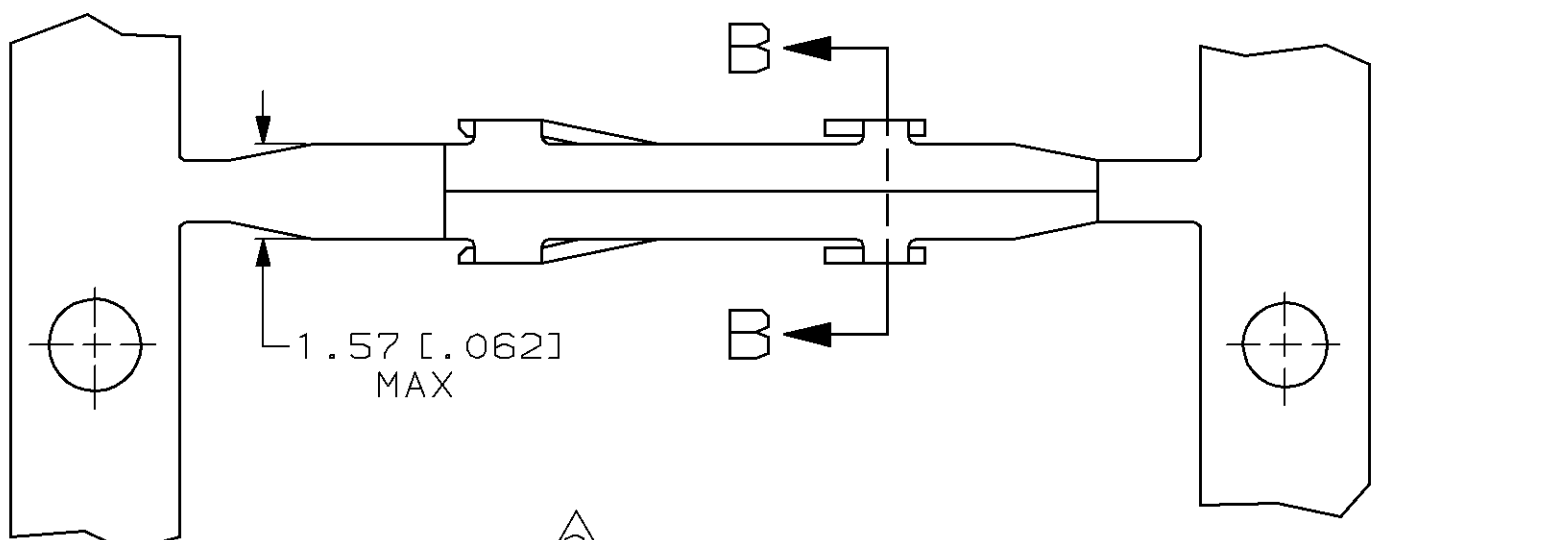
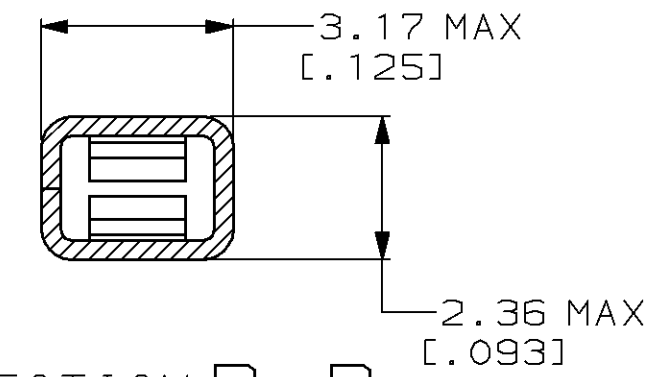
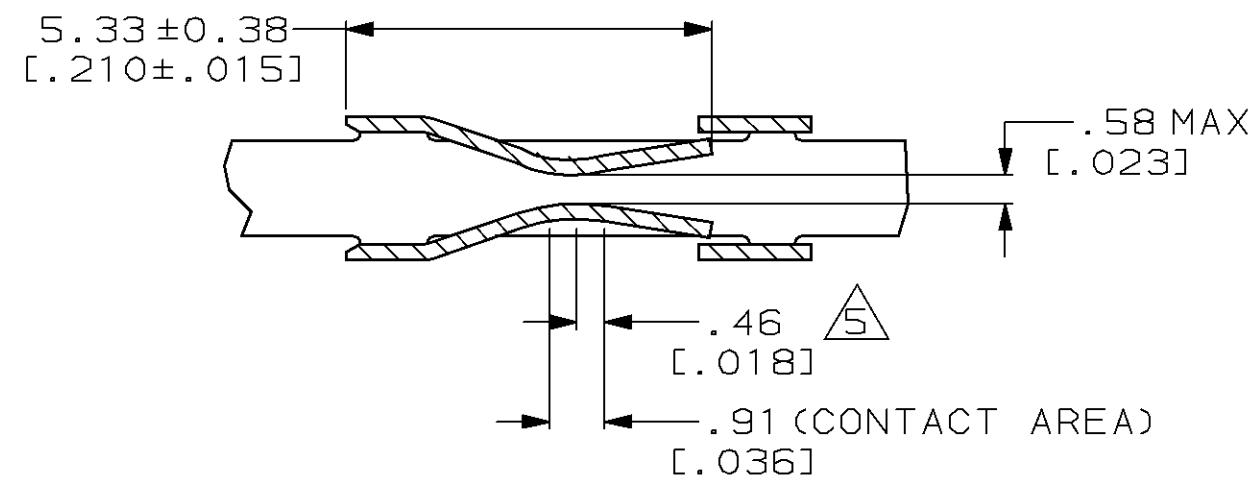
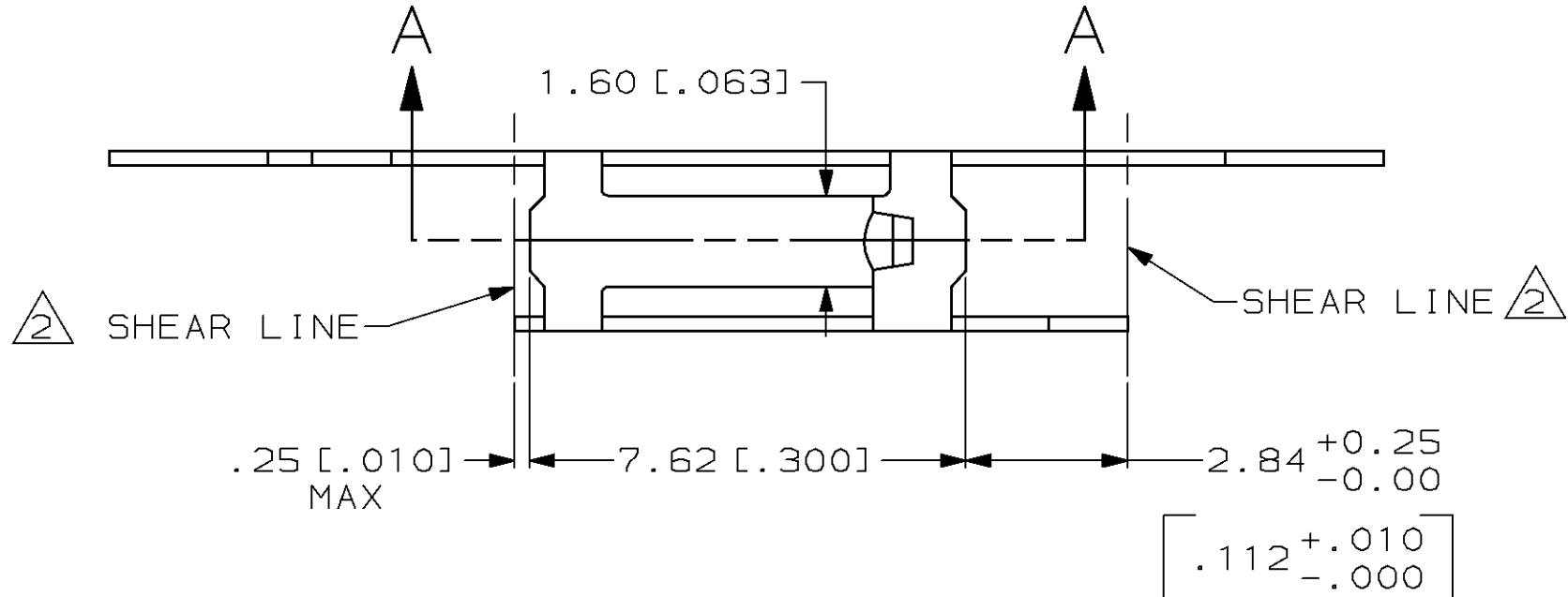


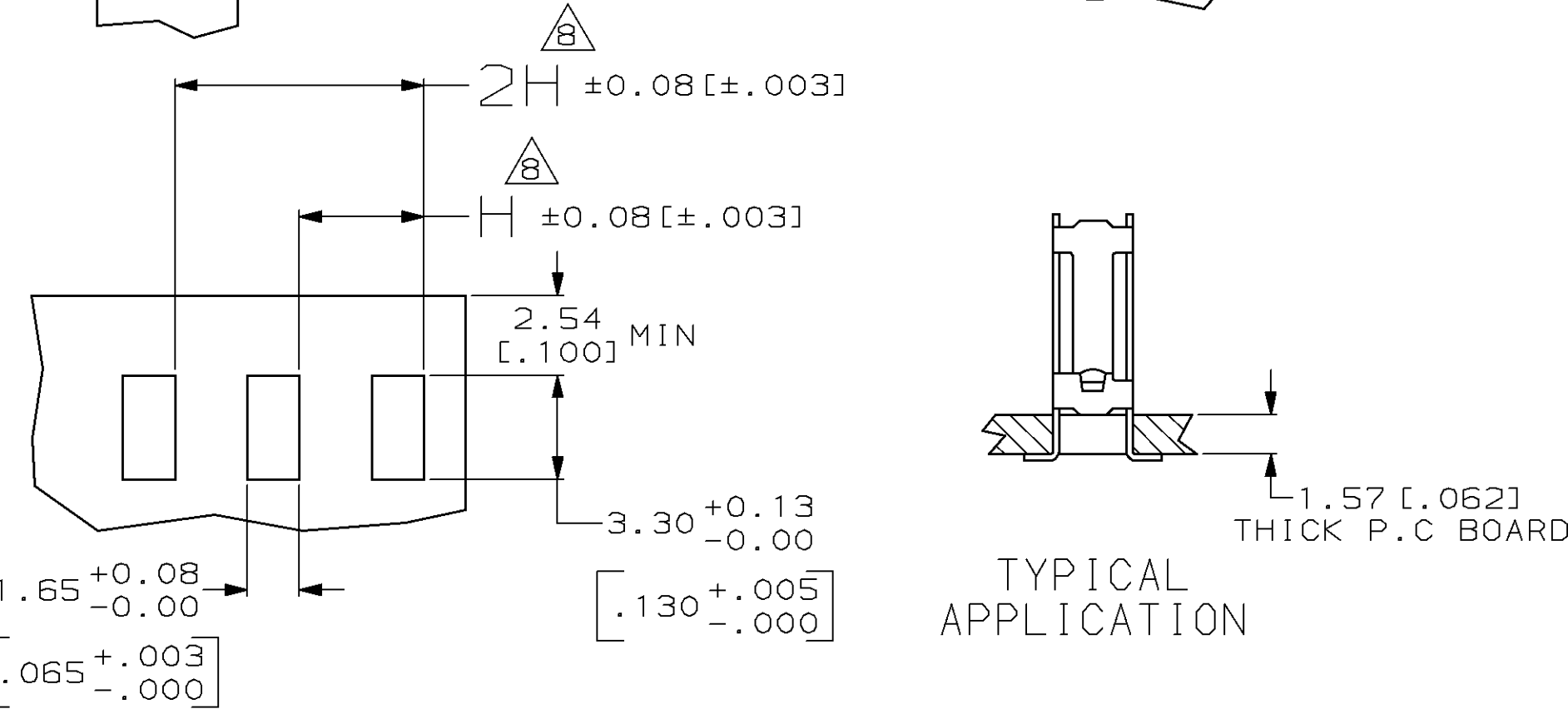
LOC	DIST	P	F	REVISIONS				
				ZONE	LTR	DESCRIPTION	DATE	APPD
AD	39			H		REV PER 0010-1061-94	12-28-96	JH
				J		REV PER 0010-1175-95	12-28-96	JH
				K		REV PER 0310-0398-97	9-25-97	JH



- ① PHOSPHOR BRONZE 0.25 [.010] COML. FINISH: TIN PLATE
- ② SHEAR LINES DEFINE LOOSE PIECE PART.
- ③ 0.00038 [.00015] GOLD IN CONTACT AREA, 0.00254-0.00508 [.000100-.000200] BRIGHT TIN-LEAD IN TERMINATION AREA, ALL OVER 0.00127 [.000050] NICKEL.
- ④ 0.00076 [.000030] GOLD IN CONTACT AREA, 0.00254-0.00508 [.000100-.000200] BRIGHT TIN-LEAD IN TERMINATION AREA, ALL OVER 0.00127 [.000050] NICKEL.
- ⑤ POINT OF MEASUREMENT FOR PLATING THICKNESS.
- ⑥ "H", (RECEPTACLE CENTERS) MAY VARY DEPENDING ON REQUIREMENTS, MINIMUM NOMINAL CENTER SPACING BETWEEN ADJACENT RECEPTACLES IS 3.81±0.08 [.150±.003].



OBSOLETE	④	①	86441-3	86448-4
OBSOLETE	③	①	86441-2	86448-2
	①	①	86441-1	86448-1
			FINISH MATERIAL	LOOSE PIECE PART NO.
				PART NUMBER



		PART NO	
DO NOT SCALE PRINT. UNLESS SPECIFIED DIMENSIONS IN mm [INCHES] TOLERANCES ON:	DR 12-28-96 E. BRANDBERG	AMP Incorporated Harrisburg, PA 17105-3608	
2 PLC DEC ± -	CHK 12-28-96 J. HERRINGTON		
3 PLC DEC ± -	APPD 12-28-96 J. HERRINGTON	NAME	
ANGLES ± -	APPD 12-28-96 D. TROUT	FEMALE CONTACT, VERTICAL, TYPE "B", MOD I (HIGH PRESSURE)	
MATERIAL	PRODUCT SPEC	SIZE	CAGE CODE
SEE TABLE	-	③	00779
FINISH	APPLICATION SPEC	DRAWING NO	
SEE TABLE	-	③=86448	
WEIGHT	-	SCALE	SHEET
		8:1	1 OF 1

THIS DRAWING IS A CONTROLLED DOCUMENT FOR AMP INCORPORATED. IT IS SUBJECT TO CHANGE AND THE CONTROLLING ENGINEERING ORGANIZATION SHOULD BE CONTACTED FOR THE LATEST REVISION.

X-ON Electronics

Largest Supplier of Electrical and Electronic Components

Click to view similar products for [Headers & Wire Housings](#) category:

Click to view products by [TE Connectivity](#) manufacturer:

Other Similar products are found below :

[892-18-020-10-001101](#) [58102-G61-06LF](#) [582553-1](#) [0009485154](#) [009176003701906](#) [0050291907](#) [LY20-4P-DT1-P1E-BR](#) [02.125.8002.8](#)
[609-3404](#) [61062-3](#) [61082-181009](#) [622-3653LF](#) [63453-116](#) [636-1030](#) [636-1427](#) [636-3427](#) [636-4007](#) [641938-9](#) [641991-4](#) [644827-2](#) [65817-](#)
[010LF](#) [65817-015LF](#) [65863-015LF](#) [66207-023LF](#) [67095-007LF](#) [67601157](#) [68645-018](#) [68648-049](#) [70.362.1628.0](#) [70-4210](#) [70-4226B](#) [70-](#)
[4853B](#) [707-5020](#) [707-5028](#) [71.350.2428.0](#) [71918-208LF](#) [71961-016LF](#) [733-134](#) [733-162](#) [754199-000](#) [760-3052](#) [787-8014-00](#) [79531-3000](#)
[FCN-360C032-B](#) [FCN-367T-T012/H](#) [FCN-723D010/2](#) [80.063.4001.1](#) [800-90-001-10-001000](#) [800-90-010-10-002000](#) [801-43-002-10-013000](#)