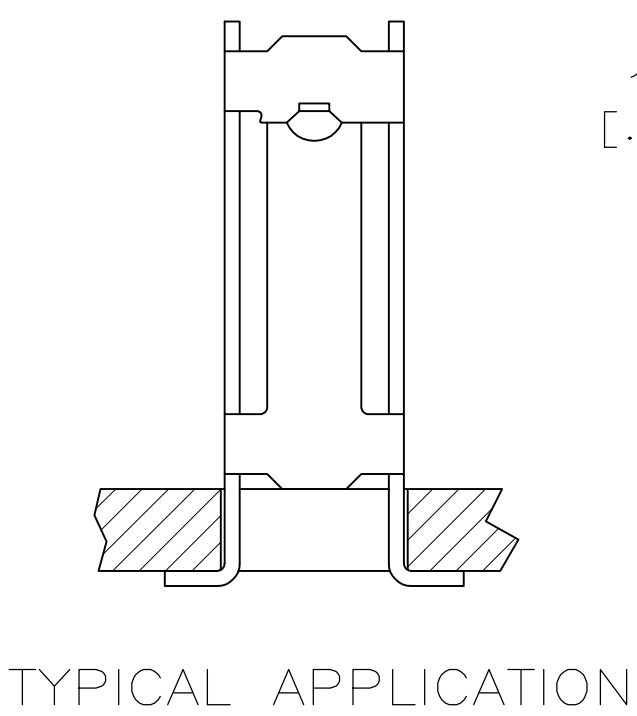
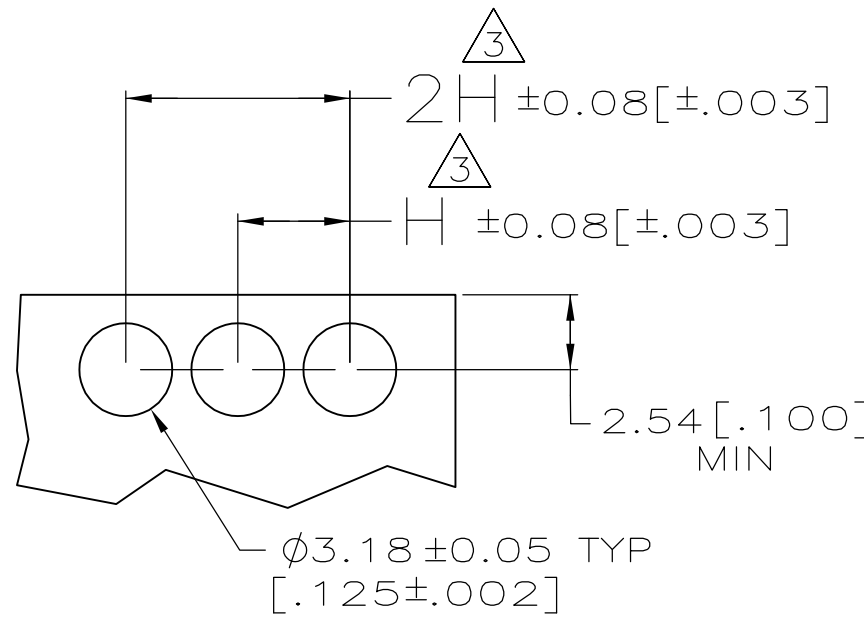
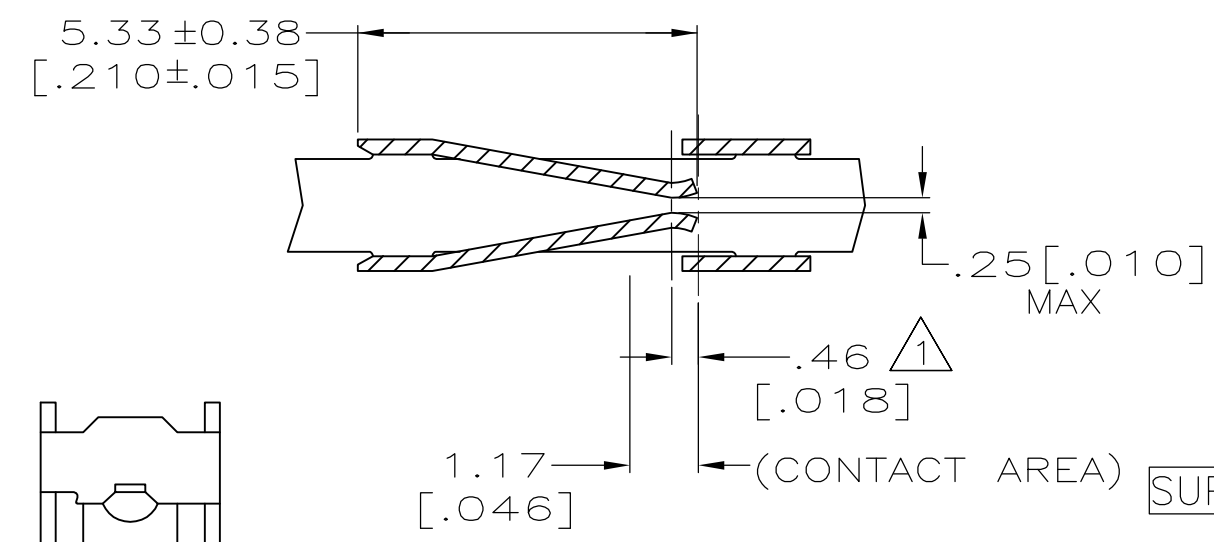
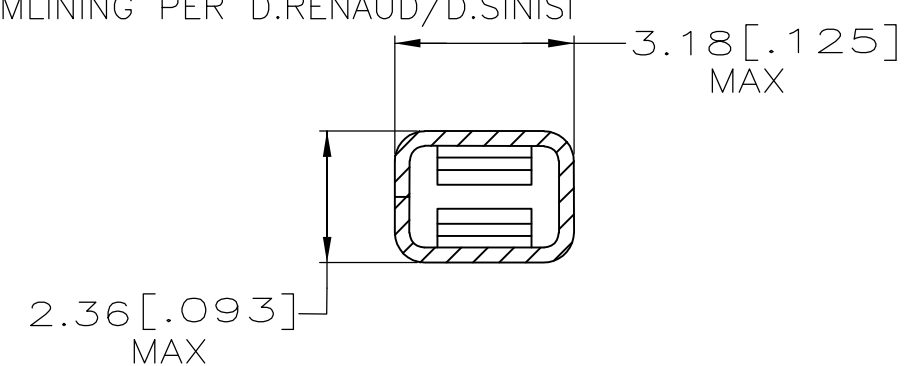
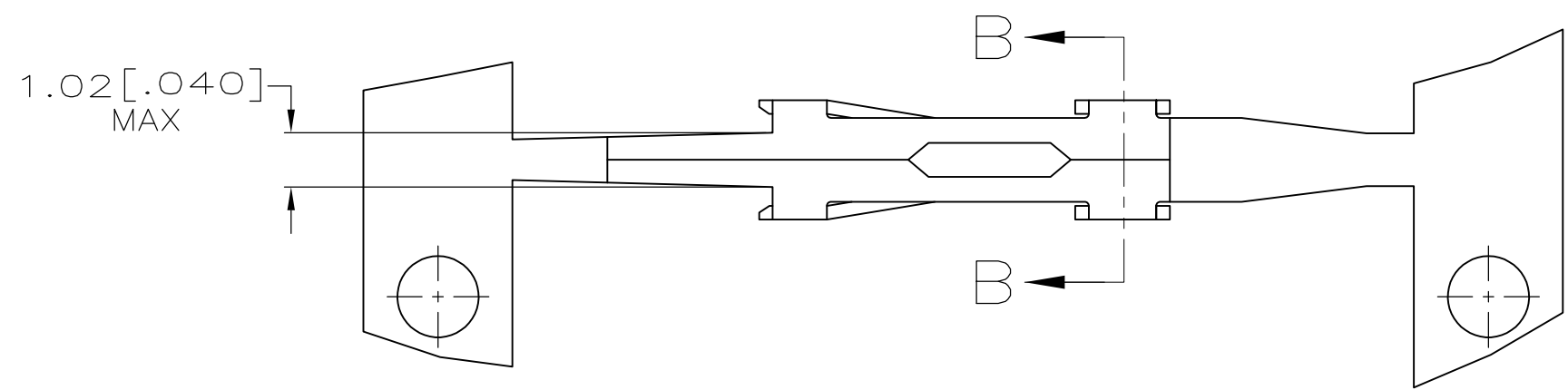
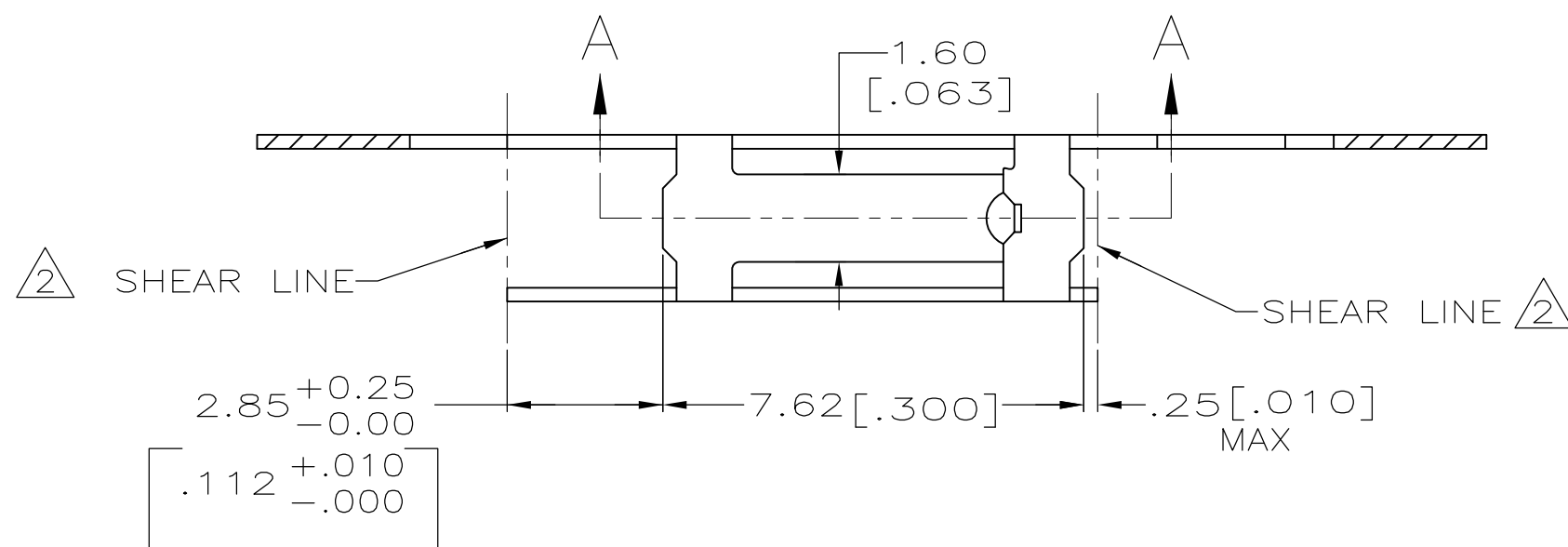
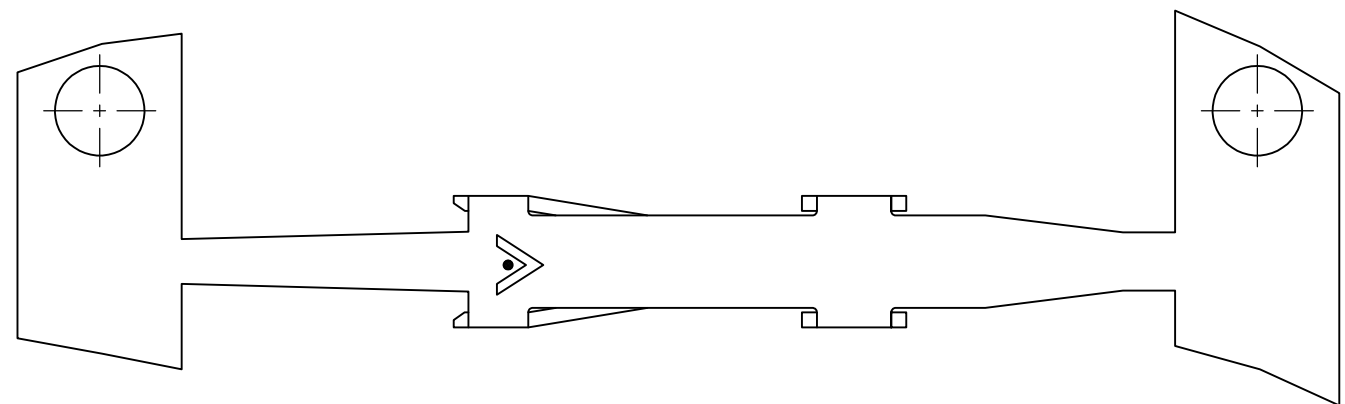


LOC	DIST	P	F	ZONE	LTR	DESCRIPTION	DATE	APPD
AD	39				F	REV PER 0010-1175-95	12-28-96	JH
					G	REV PER 0G21-0081-98	18JUL98	MC
					H	REV PER 0G3C-0062-00	11FEB00	MZ
					H1	REV PER ECO-09-021826	05JAN10	AEG



- 1 POINT OF MEASUREMENT FOR PLATING THICKNESS (INSIDE BEAMS).
- 2 SHEAR LINES DEFINE LOOSE PIECE PART.
- 3 "H" RECEPTACLE CENTERS MAY VARY DEPENDING ON REQUIREMENTS. MINIMUM NOMINAL CENTER SPACING BETWEEN ADJACENT RECEPTACLES IS 3.81±0.08[.150±.003].
- 4 GOLD FLASH OVER 0.00127[.000050] NICKEL ENTIRE TERMINAL, 0.00038[.000015] GOLD ON CONTACT AREA ONLY.
- 5 GOLD FLASH OVER 0.00127[.000050] NICKEL ENTIRE TERMINAL, 0.00076[.000030] GOLD ON CONTACT AREA ONLY.
- 6 0.00127[.000050] GOLD OVER 0.00127[.000050] NICKEL ENTIRE TERMINAL.
- 7 0.00076[.000030] GOLD OVER 0.00127[.000050] NICKEL ENTIRE TERMINAL.
- 8 0.00038[.000015] GOLD ON CONTACT AREA, 0.00254-0.00508[.000100-.000200] BRIGHT TIN-LEAD ON TERMINATION AREA, ALL OVER 0.00127[.000050] NICKEL ENTIRE TERMINAL.
- 9 0.00076[.000030] GOLD ON CONTACT AREA, 0.00254-0.00508[.000100-.000200] BRIGHT TIN-LEAD ON TERMINATION AREA, ALL OVER 0.00127[.000050] NICKEL ENTIRE TERMINAL.
- 10 0.00200 [.000079] MIN TIN.
- 11 OBSOLETE PARTS: OBSOLETE CIS STREAMLINING PER D.RENAUD/D.SINISI
- 12 OBSOLETE

	MINIATURE			
		-	10	1-86477-1
OBSOLETE	MINIATURE	86480-7	9	1-86477-0
OBSOLETE	MINIATURE	86480-6	8	86477-9
OBSOLETE	MINIATURE	86480-5	7	86477-8
		-	-	-
OBSOLETE	MINIATURE	86480-4	6	86477-6
		-	-	-
	MINIATURE	86480-3	10	86477-3
	MINIATURE	86480-2	5	86477-2
	MINIATURE	86480-1	4	86477-1
	REELED FOR APPLICATOR	LOOSE PIECE PART NO	FINISH	PART NUMBER

DO NOT SCALE PRINT. UNLESS SPECIFIED DIMENSIONS IN mm [INCHES] TOLERANCES ON : 2 PLC DEC ± - 3 PLC DEC ± 0.13[.005] ANGLES ± -		DR 12-28-96 E.BRANDBERG CHK 12-28-96 J. HERRINGTON APPD 12-28-96 J. HERRINGTON APPD 12-28-96 D. TROUT		AMP AMP Incorporated Harrisburg, PA 17105-3608	
MATERIAL PHOS BRONZE		PRODUCT SPEC -		NAME RECEPTACLE, MOD I STANDARD PRESSURE, TYPE A	
FINISH SEE TABLE		APPLICATION SPEC -		SIZE C	CAGE CODE 00779
WEIGHT -		SCALE 8:1		DRAWING NO C-86477	
				SHEET 1 OF 1	

THIS DRAWING IS A CONTROLLED DOCUMENT FOR AMP INCORPORATED. IT IS SUBJECT TO CHANGE AND THE CONTROLLING ENGINEERING ORGANIZATION SHOULD BE CONTACTED FOR THE LATEST REVISION.

## X-ON Electronics

Largest Supplier of Electrical and Electronic Components

*Click to view similar products for [Headers & Wire Housings](#) category:*

*Click to view products by [TE Connectivity](#) manufacturer:*

Other Similar products are found below :

[892-18-020-10-001101](#) [58102-G61-06LF](#) [582553-1](#) [0009485154](#) [009176003701906](#) [0050291907](#) [LY20-4P-DT1-P1E-BR](#) [02.125.8002.8](#)  
[609-3404](#) [61062-3](#) [61082-181009](#) [622-3653LF](#) [63453-116](#) [636-1030](#) [636-1427](#) [636-3427](#) [636-4007](#) [641938-9](#) [641991-4](#) [644827-2](#) [65817-](#)  
[010LF](#) [65817-015LF](#) [65863-015LF](#) [66207-023LF](#) [67095-007LF](#) [67601157](#) [68645-018](#) [68648-049](#) [70.362.1628.0](#) [70-4210](#) [70-4226B](#) [70-](#)  
[4853B](#) [707-5020](#) [707-5028](#) [71.350.2428.0](#) [71918-208LF](#) [71961-016LF](#) [733-134](#) [733-162](#) [754199-000](#) [760-3052](#) [787-8014-00](#) [79531-3000](#)  
[FCN-360C032-B](#) [FCN-367T-T012/H](#) [FCN-723D010/2](#) [80.063.4001.1](#) [800-90-001-10-001000](#) [800-90-010-10-002000](#) [801-43-002-10-013000](#)