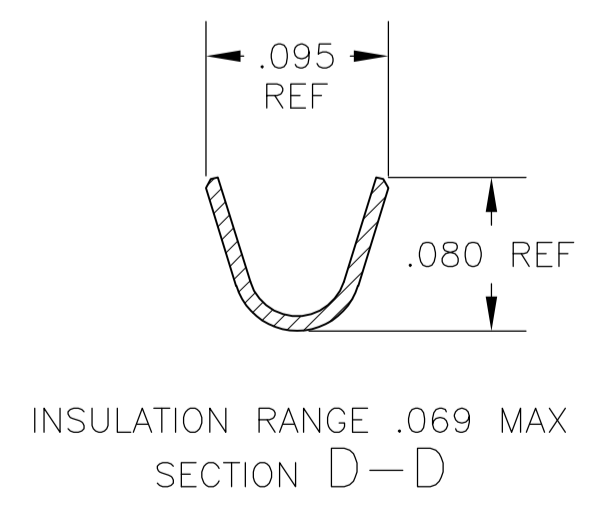
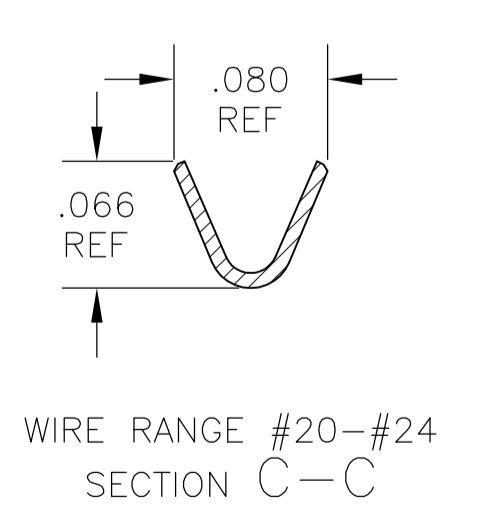
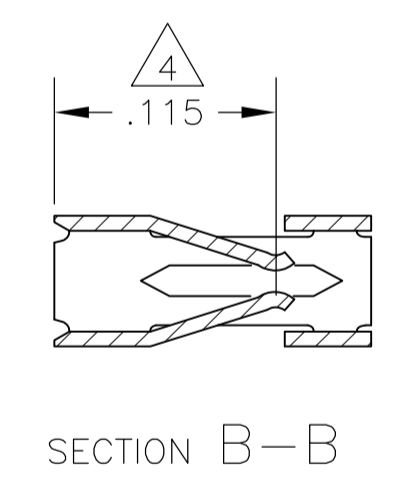
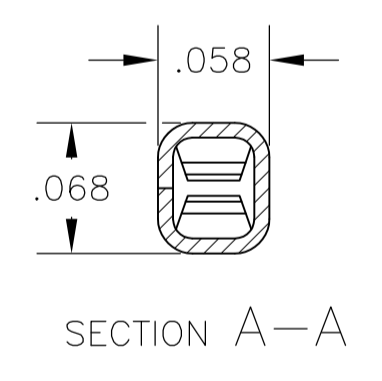
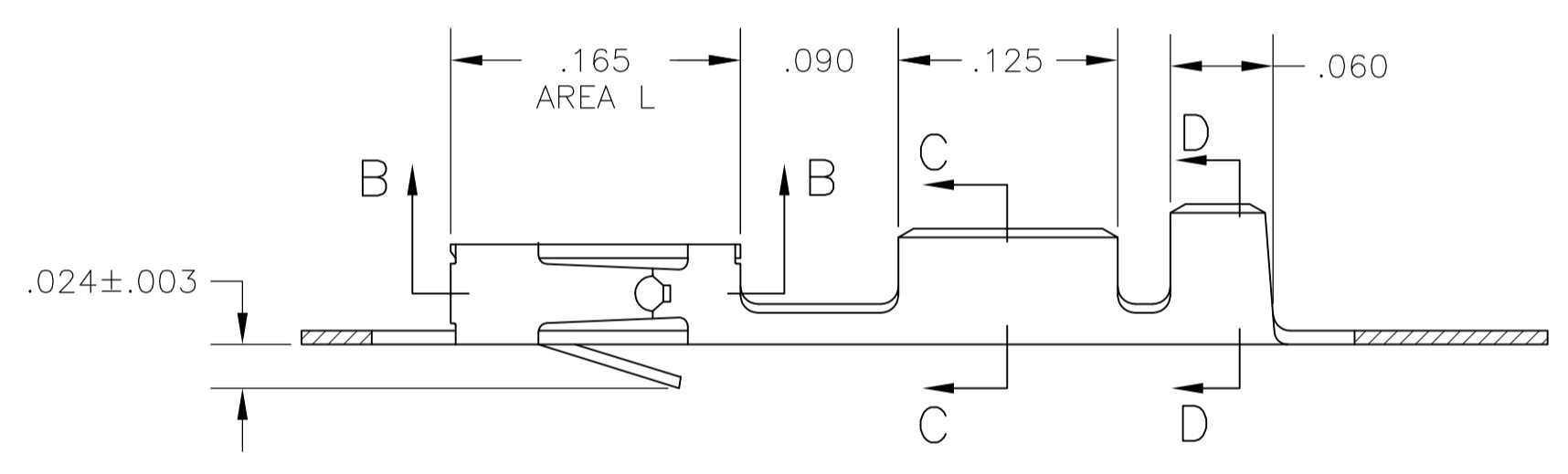
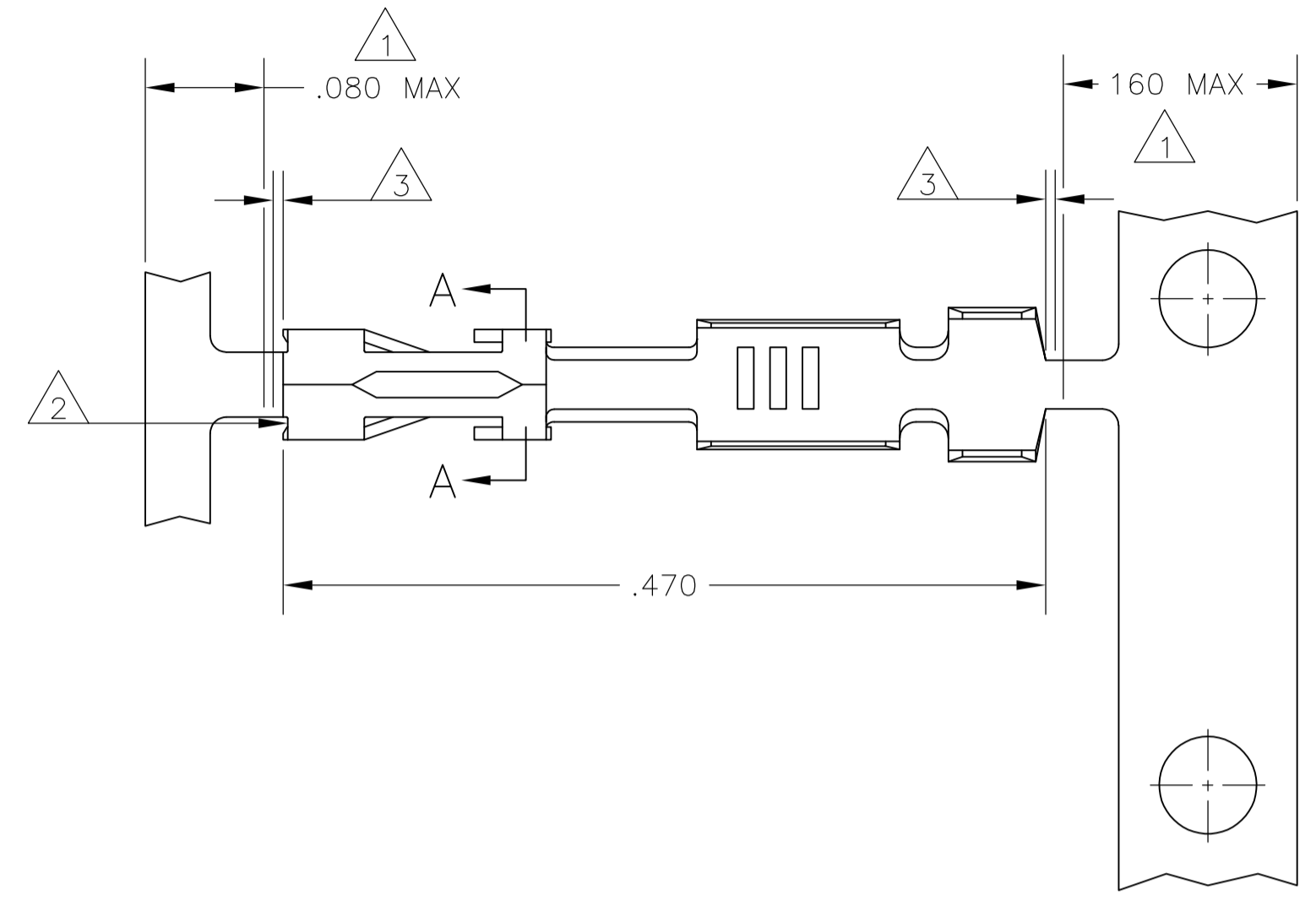


- 1 PLATING IS NOT REQUIRED IN THIS AREA.
- 2 CUT-OUTS ON BOX AT MANUFACTURER'S OPTION.
- 3 .006 MAX LOOSE PIECE CUT-OFF.
- 4 POINT OF MEASUREMENT FOR PLATING THICKNESS(INSIDE BEAMS).
- 5 .000015 GOLD IN CONTACT AREA, GOLD FLASH ON REMAINDER OF TERMINAL, ALL OVER .000050 NICKEL.
- 6 .000030 GOLD OVER .000050 NICKEL.
- 7 .000030 GOLD IN CONTACT AREA, GOLD FLASH ON REMAINDER OF TERMINAL, ALL OVER .000050 NICKEL.
- 8 PREPLATED: .000078-.000158 BRIGHT TIN.
- 9 .000030 GOLD IN CONTACT AREA, GOLD FLASH IN AREA L, ALL OVER .000050 NICKEL.
- 10 .000050 GOLD IN CONTACT AREA, GOLD FLASH ON REMAINDER OF TERMINAL, ALL OVER .000050 NICKEL.
- 11 SHEARED EDGES PERMITTED TO BE UNPLATED.
- 12 OBSOLETE PART NUMBER.
- 13 OBSOLETE PARTS: OBSOLETE CIS STREAMLINING PER D.RENAUD/D.SINISI.



OBSOLETE	12-6	1-	12-7	10	1-86492-8
	12-5	1-	12-4	9	1-86492-3
	87046-4		12-8	8	-9
			12-5	7	-6
			12-3	6	-4
	87046-1		12-1	5	86492-2
LOOSE PIECE PART NUMBER	STANDARD APPLICATOR PART NUMBER	FINISH	MINI APPLICATOR PART NUMBER		

THIS DRAWING IS A CONTROLLED DOCUMENT.		DIN L A MAYER 20MAY85		TE Connectivity	
DIMENSIONS: INCHES		CHK R J DAVIS 07JUN85			
TOLERANCES UNLESS OTHERWISE SPECIFIED:		APVO C LINDGREN 14JUN85		NAME CONTACT, MOD IV 1/2, RECEPTACLE, CRIMP SNAP-IN	
0 PLC ± -		APPLICATION SPEC		SIZE CAGE CODE DRAWING NO	
1 PLC ± -		WEIGHT		A1 00779 C=86492	
2 PLC ± -		CUSTOMER DRAWING		SCALE 10:1 SHEET 1 OF 1 REV	
3 PLC ± .005					
4 PLC ± -					
ANGLES ± -					
MATERIAL CU-NI-SI					

## X-ON Electronics

Largest Supplier of Electrical and Electronic Components

*Click to view similar products for [Headers & Wire Housings](#) category:*

*Click to view products by [TE Connectivity](#) manufacturer:*

Other Similar products are found below :

[892-18-020-10-001101](#) [58102-G61-06LF](#) [582553-1](#) [0009485154](#) [009176003701906](#) [0050291907](#) [LY20-4P-DT1-P1E-BR](#) [02.125.8002.8](#)  
[609-3404](#) [61062-3](#) [61082-181009](#) [622-3653LF](#) [63453-116](#) [636-1030](#) [636-1427](#) [636-3427](#) [636-4007](#) [641938-9](#) [641991-4](#) [644827-2](#) [65817-](#)  
[010LF](#) [65817-015LF](#) [65863-015LF](#) [66207-023LF](#) [67095-007LF](#) [67601157](#) [68645-018](#) [68648-049](#) [70.362.1628.0](#) [70-4210](#) [70-4226B](#) [70-](#)  
[4853B](#) [707-5020](#) [707-5028](#) [71.350.2428.0](#) [71918-208LF](#) [71961-016LF](#) [733-134](#) [733-162](#) [754199-000](#) [760-3052](#) [787-8014-00](#) [79531-3000](#)  
[FCN-360C032-B](#) [FCN-367T-T012/H](#) [FCN-723D010/2](#) [80.063.4001.1](#) [800-90-001-10-001000](#) [800-90-010-10-002000](#) [801-43-002-10-013000](#)