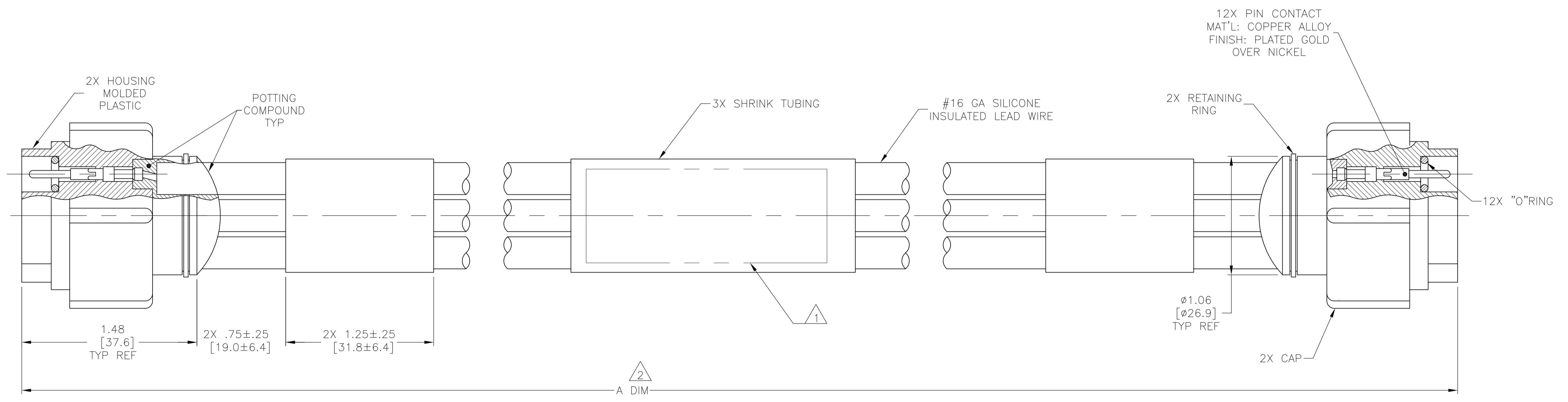
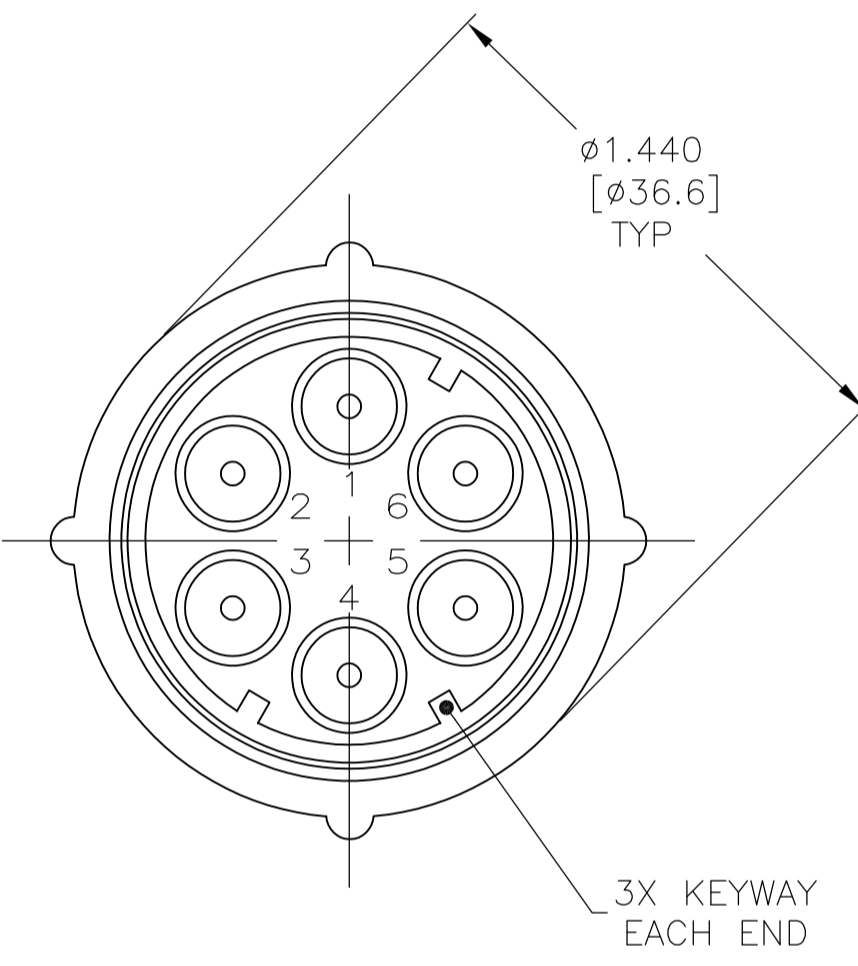


LOC		DIST		REVISIONS			
P	LTR	DESCRIPTION	DATE	DN	APVD		
E		ECO-13-006256	16APR13	KG	DE		



P1		P2	
1	BROWN	1	1
2	WHITE WITH YELLOW STRIPE ³	2	2
3	GREEN	3	3
4	RED	4	4
5	BLACK	5	5
6	WHITE	6	6

- ¹ MARKED PER MIL-STD-130
- ² TOLERANCE: UP TO 24.00[609.6]=±12.00[±3.0], 24.00[609.6] & UP = ±1%
- ³ YELLOW WIRE IS WHITE WITH YELLOW STRIPE.

SCHEMATIC

26.00 [660.4]	864954-4
158.0 [4013.2]	864954-3
20.00 [508.0]	864954-2
21.00 [533.4]	864954-1
DIM A ²	PART NO.

THIS DRAWING IS A CONTROLLED DOCUMENT. DIMENSIONING AND TOLERANCING PER ASME Y14.5M (ISO STANDARDS)		DIN C.C.THOMAS 9/14/98	TE Connectivity	
DIMENSIONS: INCHES [mm]		CHK: D.FABRY 9/17/98	APVD: D.FABRY 9/17/98	
TOLERANCES UNLESS OTHERWISE SPECIFIED:		NAME: PLUG CABLE ASSY, DBL. END, 6 POSN., LGH		
0 PLC ± -	1 PLC ± -	PRODUCT SPEC		
2 PLC ± .02 [0.5]	3 PLC ± .005 [0.13]	APPLICATION SPEC		
4 PLC ± -	ANGLES ± -	SIZE: A1	CAGE CODE: 00779	DRAWING NO: 864954
MATERIAL: SEE CALLOUTS	FINISH: SEE CALLOUTS	WEIGHT: -	RESTRICTED TO: -	CUSTOMER DRAWING
		SCALE: 2:1	SHEET: 1 OF 1	REV: E

X-ON Electronics

Largest Supplier of Electrical and Electronic Components

Click to view similar products for [Standard Circular Connector](#) category:

Click to view products by [TE Connectivity](#) manufacturer:

Other Similar products are found below :

[C015](#) [10F006](#) [001](#) [1](#) [5M2530B10P](#) [600259N006](#) [600273N007](#) [600432N009](#) [6280-2PG-519](#) [6280-3PG-311](#) [6280-3SG-311](#) [6280-7SG-3DC](#)
[6280-7SG-522](#) [6282-5PG-311](#) [6282-6PG-519](#) [6282-8SG-311](#) [6283-11](#) [6283-15](#) [6290](#) [6382-2PG-311](#) [6382-2PG-3DC](#) [6382-2SG-321](#) [6382-2SG-3DC](#) [6382-4SG-516](#) [67-03E20-37P](#) [681-PMG](#) [CXS3102A14S2P](#) [CXS3102A181S](#) [CXS3106A14S6S](#) [MB12P-1](#) [MB12R-6](#) [7251-2PG-300](#) [7251-2SG-300](#) [7251-4PG-300](#) [7251-4SG-300](#) [7251-5PG-300](#) [7251-5SG-300](#) [7251-6SG-300](#) [7251-7PG-300](#) [7251-8PG-300](#) [7271-6SG-300](#) [7282-3PG-300-CH3](#) [73000005663](#) [75-190216-08S](#) [75-190218-10P](#) [75-474118-10P](#) [75-474618-01S](#) [75-474620-07P](#) [799539-000](#) [MI8-SE](#) [80-190222-18P](#) [805-005-07NF11-19PC](#) [805-005-07NF15-7PA](#)