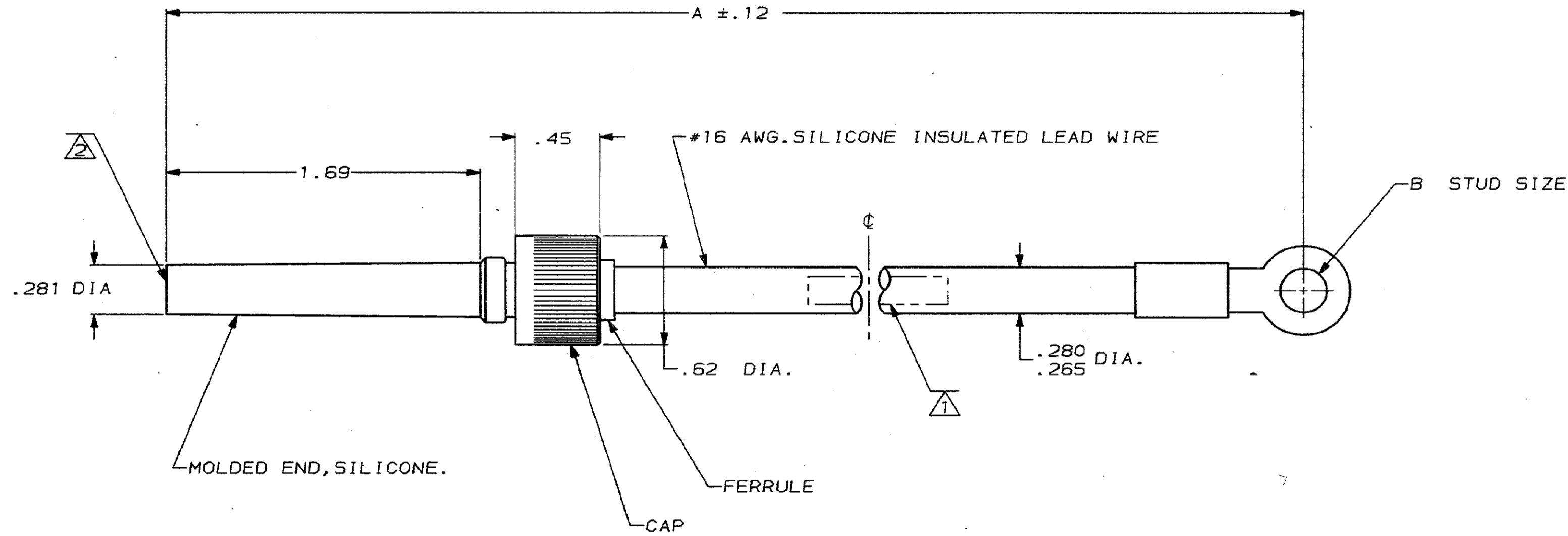


DRAWING MADE IN THIRD ANGLE PROJECTION

THIS DRAWING IS UNPUBLISHED. RELEASED FOR PUBLICATION .19
 © COPYRIGHT 19 BY AMP INCORPORATED. ALL INTERNATIONAL RIGHTS RESERVED.

PROD	LOC	DIST	REVISIONS				
CODE			ZONE	LTR	DESCRIPTION	DATE	APPO
4092	DF	50			REV & REDWN PER DF-1137, DF-0697 TW	11-28-88	W.V.



1 MARKED PER AMP SPEC. MIL-STD-130
 2 TO MATE WITH AMP LGH-IL RECEPTACLE WITH 1.69 BARREL DEPTH.

OBSOLETE	#10	15.50	865515-4
OBSOLETE	5/16	11.00	865515-3
OBSOLETE	5/16	15.50	865515-2
	1/4	8.50	865515-1
	B	A	PART NO

DO NOT SCALE PRINT. UNLESS SPECIFIED DIMENSIONS IN INCHES TOLERANCES ON: 2 PLC DEC ± .02 3 PLC DEC ± .010 ANGLES ± -	DR 11-29-88 T. WIEST CHK <i>M. Gardner</i> 12-9-88 APPD <i>M. Gardner</i> 12-9-88	AMP AMP INCORPORATED Harrisburg, Pa. 17105	
MATERIAL -	PRODUCT SPEC -	NAME LGH-IL POSITIVE STOP LEAD ASS'Y WITH RING TONGUE TERM.	
FINISH -	APPLICATION SPEC -	SIZE C	FSCM NO 00779
WEIGHT -		DRAWING NO 865515	SHEET 1 OF 1
		SCALE 2:1	

X-ON Electronics

Largest Supplier of Electrical and Electronic Components

Click to view similar products for [DC Power Cords](#) category:

Click to view products by [TE Connectivity](#) manufacturer:

Other Similar products are found below :

[172-4000](#) [172-4101](#) [172-7443-E](#) [21033836407](#) [2J-1865A](#) [2R7006A20A120](#) [426055400-3](#) [MN47A4BC01M010](#) [H-OU-2](#) [CA0002](#)
[420680840-3](#) [426451500-3](#) [P162PT4-36](#) [1-832692-4](#) [FJ-VSP 3M](#) [96CB-POWER-B-1.8M2](#) [426040200](#) [CA0006](#) [H-OU-27](#) [1700019464](#) [FJ-](#)
[VSP 10M](#) [MN47B4BC01M040](#) [H-OU-20](#) [2-836917-8](#) [867566-1](#) [804001P03M050G](#) [2050KH1-BK](#) [426013710-3](#) [58257-1069](#) [216603-0037](#)
[1011147](#) [1011324](#) [1012028](#) [862545-5](#) [BXC-10567](#) [172-2555](#) [32102-022800-200-RS](#) [P29000-M2](#) [P29004-M2](#) [DC.CAB.0201.0150](#)
[DC.CAB.0301.0150](#) [DC.CAB.0610.0150](#) [DC.CAB.0700.0150](#) [DC.CAB.1000.0300](#) [DC.CAB.1100.0150](#) [DC.CAB.1400.0150](#)
[DC.CAB.1410.0150](#) [DC.CAB.1500.0150](#) [DC.CAB.1811.0150](#) [DC.CAB.1900.0150](#)