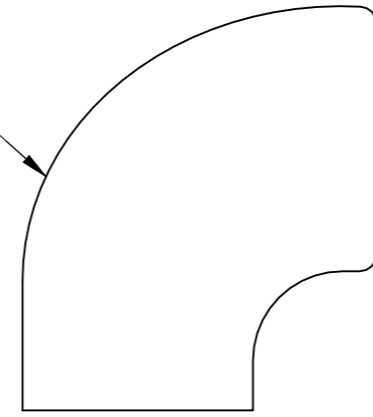
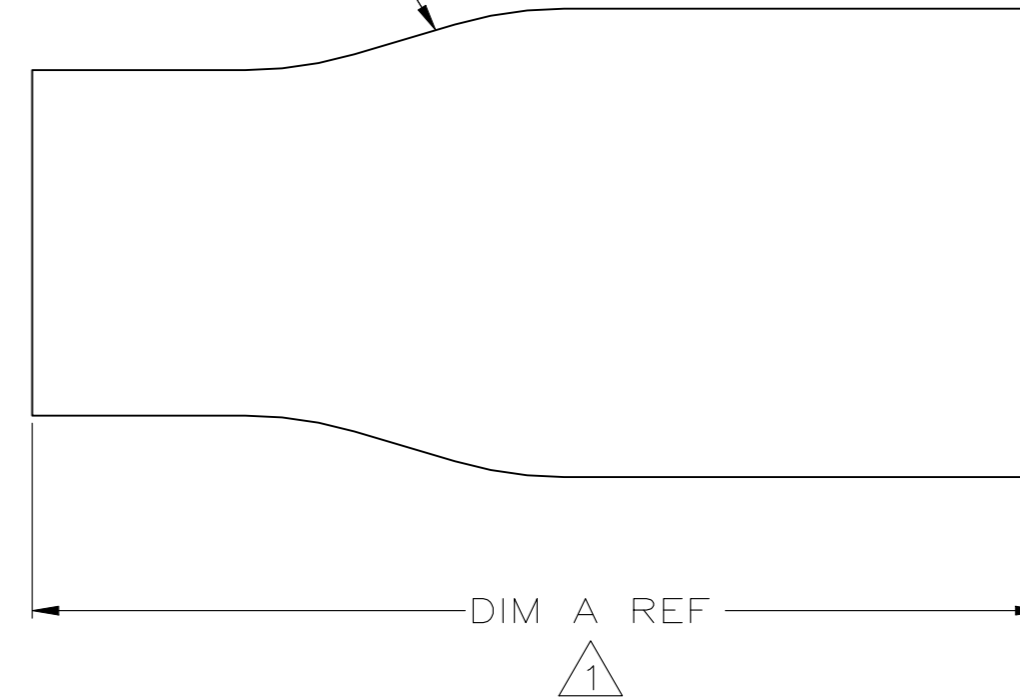


REVISIONS				
P	LTR	DESCRIPTION	DATE	APVD
K		REV PER ECO 21-004177	4-27-21	CT DM

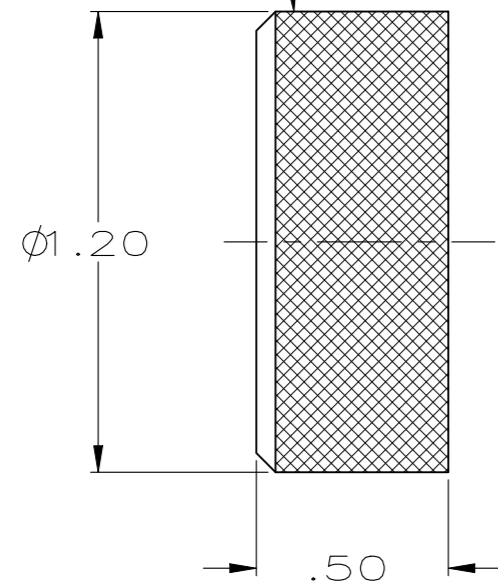
BOOT, SHRINKABLE, 90°  
MAT'L: POLYOLEFIN



BOOT, SHRINKABLE, STRAIGHT  
MAT'L: ELASTOMER/SILVER COMPOSITE

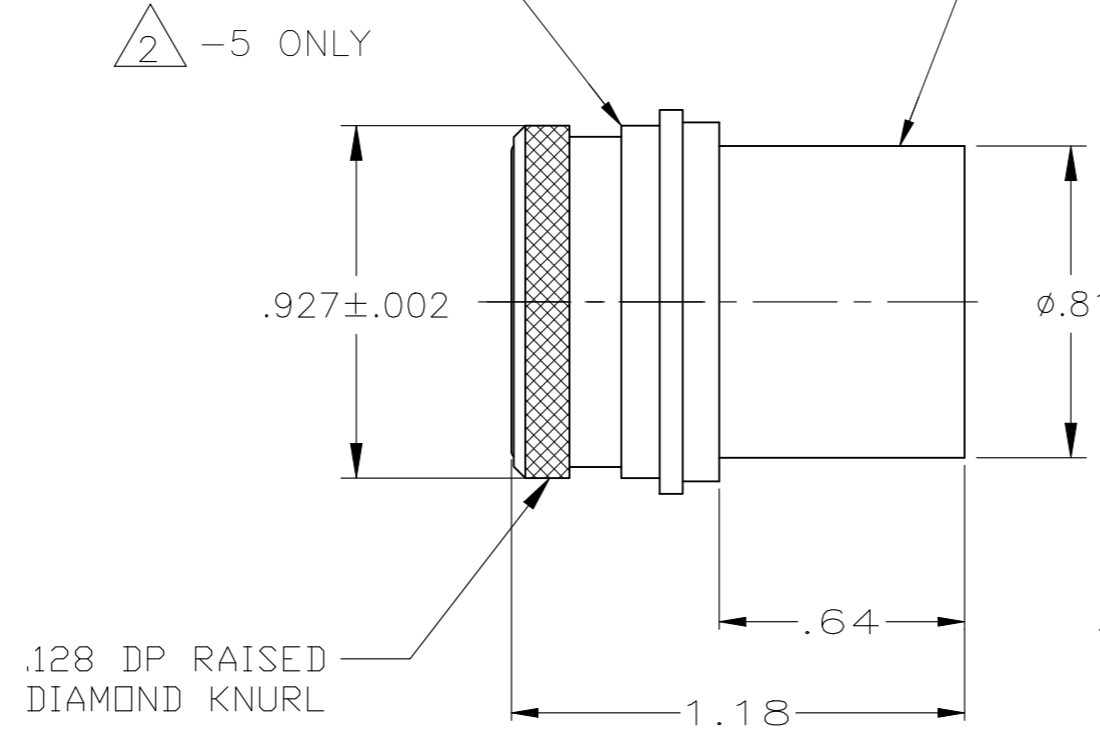


CAP  
MAT'L: BRASS  
FINISH: NICKEL  
OVER COPPER FLASH

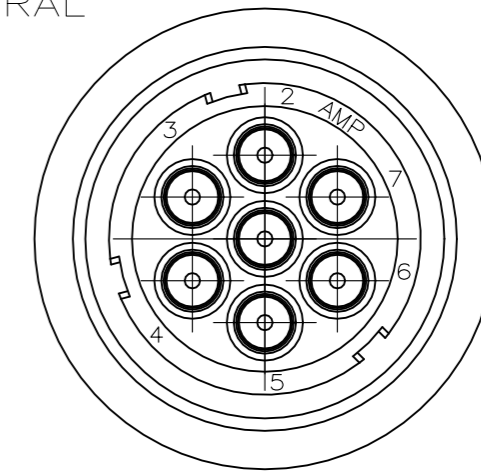
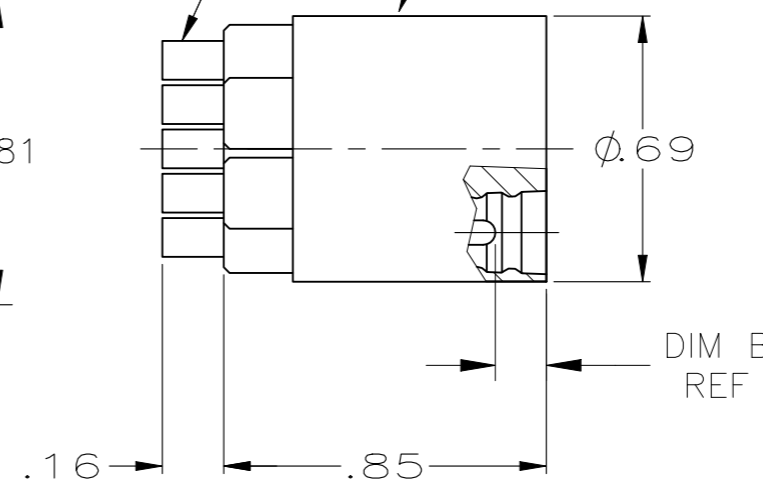


FERRULE  
MAT'L: BRASS  
FINISH: NICKEL  
OVER COPPER FLASH  
2 -5 ONLY

HOUSING  
MAT'L: POLYESTER



SLUG  
MAT'L: SEE TABLE  
COLOR: NATURAL



- 1 REF. DIMENSION "A" APPLIES ONLY AFTER SHRINKING OF SHRINK BOOT.
- 2 FERRULE IS NOT ATTACHED TO PLUG HOUSING. (-5 ONLY)
- 3 SLUG MATERIAL: SILICONE RUBBER
- 4 SLUG MATERIAL: FLUOROELASTOMER COMPOUND

REMARKS	DIM B REF	DIM A 1	DISCRIPTION	PART NUMBER
4	.305	-	NO SHRINKABLE BOOT	865656-7
3	.285	-	NO SHRINKABLE BOOT	865656-6
3 2	.305	-	NO SHRINKABLE BOOT	865656-5
3	.305	3.15	STRAIGHT SHRINKABLE BOOT	865656-4
3	.305	-	NO SHRINKABLE BOOT	865656-3
3	.305	-	90° SHRINKABLE BOOT	865656-2
3	.305	2.63	STRAIGHT SHRINKABLE BOOT	865656-1

THIS DRAWING IS A CONTROLLED DOCUMENT.

DWN	C.C.THOMAS	7-15-96
CHK	S.GLATFELTER	8-13-96
APVD	-	-
PRODUCT SPEC	-	-
APPLICATION SPEC	-	-
WEIGHT	0.000000	A2 00779 C=865656
CUSTOMER DRAWING	SCALE 2:1	SHEET 1 OF 1 REV K

**TE** TE Connectivity

PLUG KIT, 7 PIN MINIATURE, LGH

RESTRICTED TO

## X-ON Electronics

Largest Supplier of Electrical and Electronic Components

*Click to view similar products for [Standard Circular Connector](#) category:*

*Click to view products by [TE Connectivity](#) manufacturer:*

Other Similar products are found below :

[5M2530B10P](#) [600259N006](#) [600273N007](#) [6134-336-13149](#) [6134-337-11149](#) [6134-337-2390](#) [6134-341-17149](#) [6280-4SG-516](#) [6280-7SG-3DC](#)  
[6290](#) [6291A](#) [66200A-10](#) [680-SMG](#) [681-PMG](#) [CXS3102A14S2P](#) [CXS3102A181S](#) [7271-6SG-300](#) [7282-3PG-300-CH3](#) [75-474618-01S](#) [75-](#)  
[474618-04P](#) [75-474618-04S](#) [799539-000](#) [MI8-SE](#) [805-005-07NF11-19PC](#) [805-005-07NF15-7PA](#) [8280-4PG-516](#) [8280-7PG-519](#) [8282-5PG-](#)  
[519](#) [836783-1](#) [MP-4102-25P-C](#) [862256-1](#) [864019-2](#) [866857-1](#) [867865-1](#) [PT01SP-14-18P](#) [PT08P-14-5S](#) [120-1833-000](#)  
[QCM019PC2DC012B](#) [1-2069279-1](#) [121583-0217](#) [121667-0020](#) [129591AU](#) [1000B BULK](#) [RD10A16-19-P6CS051/1](#) [RD10A20-31-](#)  
[P8CS051/1](#) [RD16A14-12-S6CS051/2](#) [1301240290](#) [1301240347](#) [1301860202](#) [1301240268](#) [1301240275](#)