

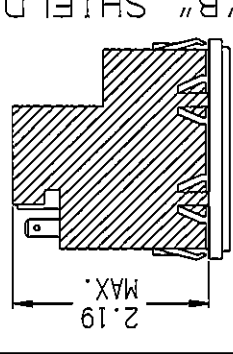
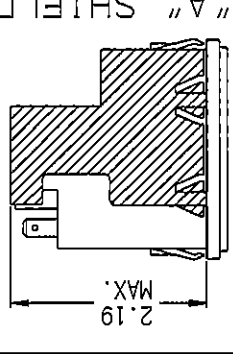
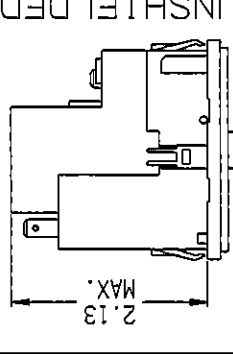
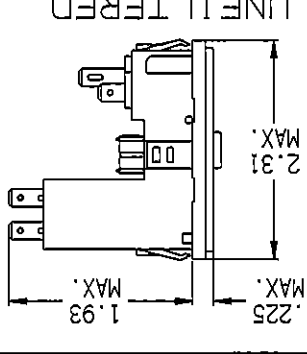
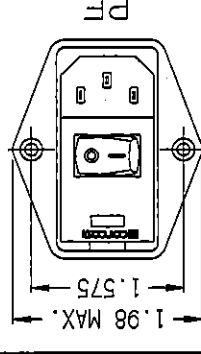
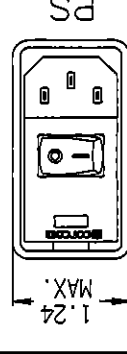
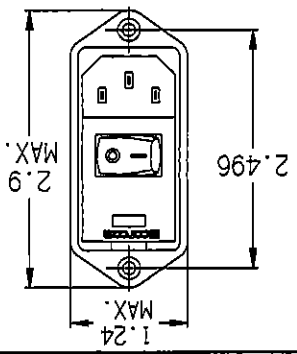
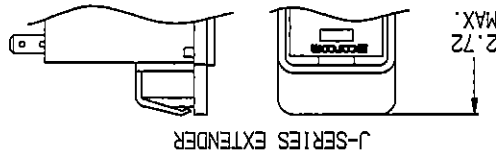
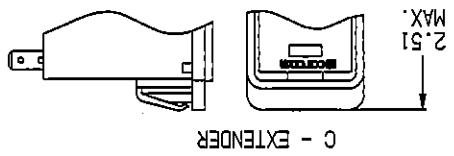
MINIMUM INSERTION LOSS IN DB  
LINE TO GROUND IN 50 OHM CIRCUIT

MINIMUM INSERTION LOSS IN DB  
LINE TO LINE IN 50 OHM CIRCUIT

RECOMMENDED PANEL CUTOUTS

CURRENT	FREQUENCY MHZ			CURRENT	FREQUENCY MHZ			STYLE	DIMENSION 'A'		
	0.15	0.5	1		0.15	0.5	1		UNSHIELDED	SHIELDED	DIMENSION B
3 AMP	21	27	30	29	26	23	15	PSL	1.12	1.12	2.201 *
6 AMP	11	15	17	19	18	16	13	PE	1.12	1.12	2.201 *
10 AMP	5	8	10	12	11	11	10	PM	1.06	1.12	2.13
3 AMP	21	27	33	40	44	50	32	PSC	1.06	1.12	2.52
6 AMP	12	17	23	32	36	44	30	PSJ	1.06	1.12	2.6
10 AMP	5	10	13	23	27	35	27				
3 AMP	21	27	33	40	44	50	32				
6 AMP	12	17	23	32	36	44	30				
10 AMP	5	10	13	23	27	35	27				

\* FOR PANEL THICKNESS OF 0.031" - 0.079" ONLY.  
 USE 2.213 FOR PANEL THICKNESS OF 0.083" - 0.114"



2.496  
2.9  
1.24

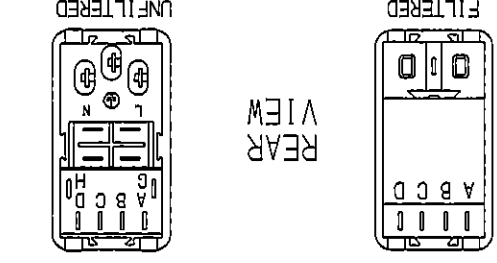
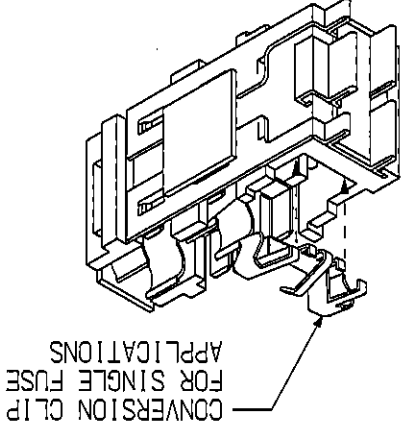
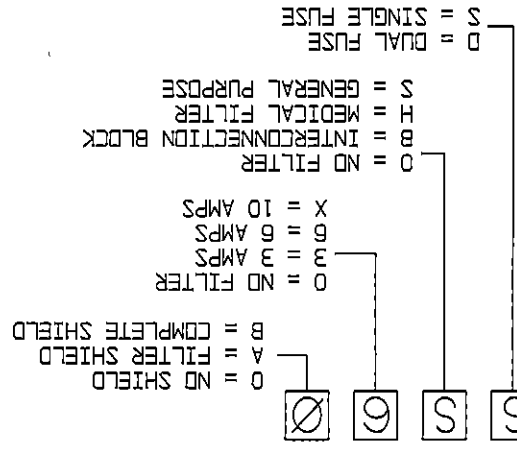
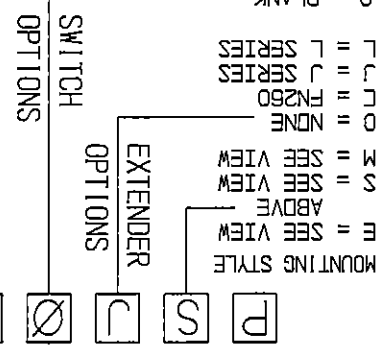
1.98 MAX.  
1.575

2.25  
1.93  
2.31 MAX.

2.13

2.19

2.19



**Tyco Electronics**  
 CUSTOMER DRAWING  
 CONCOM PRODUCTS, 620 S. BUTTERFIELD RD., WUNDELEIN IL 60060

TYCO ELECTRONICS PART NO. P-SERIES

SCALE: 1:2  
 DATE: 2-4-97  
 DRW. BY: [REDACTED]  
 THIS INFORMATION IS CONFIDENTIAL AND PROPRIETARY TO TYCO ELECTRONICS CORPORATION AND ITS WORLDWIDE SUBSIDIARIES AND AFFILIATES. IT MAY NOT BE DISCLOSED TO ANYONE OTHER THAN TYCO ELECTRONICS PERSONNEL, WITHOUT WRITTEN AUTHORIZATION FROM TYCO ELECTRONICS CORPORATION, HARRISBURG, PENNSYLVANIA USA.

REVISIONS:  
 REV. D



THIS INFORMATION IS CONFIDENTIAL AND PROPRIETARY TO TYCO ELECTRONICS CORPORATION AND ITS WORLDWIDE SUBSIDIARIES AND AFFILIATES. IT MAY NOT BE DISCLOSED TO ANYONE OTHER THAN TYCO ELECTRONICS PERSONNEL, WITHOUT WRITTEN AUTHORIZATION FROM TYCO ELECTRONICS CORPORATION, HARRISBURG, PENNSYLVANIA USA.

SCALE: NA  
DATE: 2/4/97  
DRG. BY: [blank]

P-SERIES  
DRAWING NUMBER:

REV. D

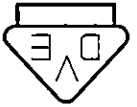
TYCO ELECTRONICS PART NO.

CUSTOMER DRAWING  
P-SERIES

CORCOM PRODUCTS, 620 S. BUTTERNUT RD., MUNDLEIN, IL 60060



UL RECOGNIZED  
CSA CERTIFIED  
VDE APPROVED



THIS FILTER HAS BEEN FORMALLY RECOGNIZED, CERTIFIED OR APPROVED BY THE LISTED AGENCY. THEREFORE, ALL TEST/REQUIREMENTS SPECIFIED IN THE LATEST REVISION OF THE FOLLOWING AGENCY STANDARDS HAVE BEEN MET:

SAFETY ORGANIZATIONS

GENERAL NOTES:  
CONVERSION CLIP PROVIDED ON FUSEHOLDER FOR SINGLE FUSE MODELS.  
SWITCH: DOUBLE INSULATED RATED FOR 10,000 OPERATIONS AT FULL LOAD.  
51 AMP INRUSH CAPABILITY.  
TERMINALS: FOUR 0.187" x 0.032" QUICK CONNECT TABS  
ONE SOLDER TERMINAL



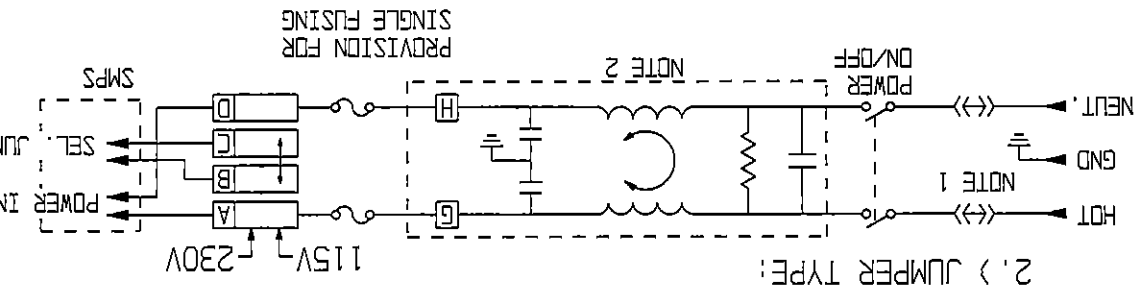
H MODEL



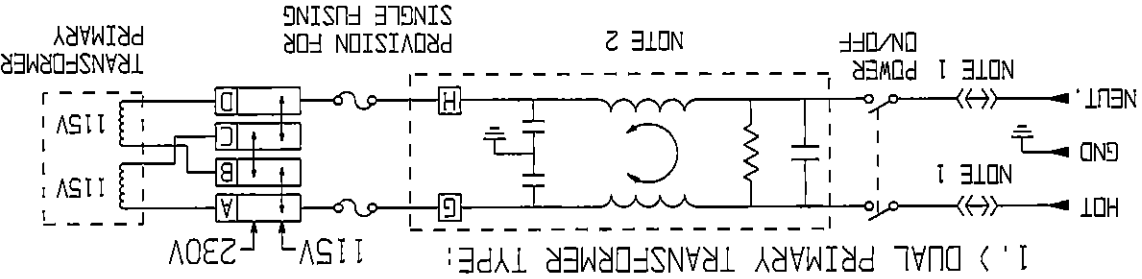
S MODEL

SEE INDIVIDUAL CUSTOMER DRAWINGS FOR OTHER (L AND Z) P-SERIES VERSIONS.

NOTE 1: JUMPERS ARE REQUIRED IF A FILTER OR INTERCONNECTION MODULE IS NOT USED.  
NOTE 2: LOCATION OF OPTIONAL FILTER, JUMPERS ARE REQUIRED IF A FILTER OR INTERCONNECTION MODULE IS NOT USED.



2.) JUMPER TYPE:



1.) DUAL PRIMARY TRANSFORMER TYPE:

RATED CURRENT, I<sub>R</sub>:

10A @ 120 VAC  
10A @ 250 VAC

NONFILTERED MODELS

FILTERED MODELS

MAXIMUM LEAKAGE CURRENT, EACH LINE TO GROUND:  
H MODELS 2µA @ 120 VAC 60Hz;  
S MODELS 0.25m @ 120 VAC 60Hz;  
H MODELS 5µA @ 250 VAC 50Hz;  
S MODELS 0.50m @ 250 VAC 50Hz;  
RATED CURRENT, I<sub>R</sub>:  
3, 6 & 10 AMP MODELS AVAILABLE

HIPOT RATING (ONE MINUTE):  
1500 VAC  
LINE TO GROUND:  
1450 VDC  
OPERATING FREQUENCY:  
50/60 Hz  
RATED VOLTAGE:  
120/250 VAC  
OPERATING VOLTAGES:  
115/230 VAC  
SELECTABLE FUSEHOLDER ACCEPTS 1 OR 2 FUSES  
1/4" x 1-1/4" OR 5 x 20mm  
OPERATING AMBIENT TEMP.:  
-10°C TO +40°C  
STORAGE TEMPERATURE:  
-40°C TO +85°C  
HUMIDITY:  
21 DAYS, 40°C @ 95% RH.  
CURRENT OVERLOAD TEST:  
6 TIMES I<sub>R</sub> FOR 8 SECONDS

SPECIFICATIONS

## X-ON Electronics

Largest Supplier of Electrical and Electronic Components

*Click to view similar products for [AC Power Entry Modules](#) category:*

*Click to view products by [TE Connectivity](#) manufacturer:*

Other Similar products are found below :

[0098.0050](#) [6-1609987-9](#) [6167.0002](#) [7-6609955-2](#) [FN389-4-22](#) [FN9233ER-12-06](#) [FN9233S1-10-06](#) [FN9233S1-8-06](#) [FN9233S1B-8-06](#)  
[FN9233S1R-1-06](#) [FN9233S1R-12-06](#) [FN9233SB-1-06](#) [FN9233SB-12-06](#) [FN9233SB-8-06](#) [FN9233SR-10-06](#) [FN9233SR-3-06](#) [FN9244B-15-06](#)  
[HI](#) [FN9244EB-3-06](#) [FN9244EB-8-06](#) [FN9244ER-15-06](#) [FN9244ER-8-06](#) [FN9244ES1-8-06](#) [FN9244ESB-8-06](#) [FN9244EU-6-06](#)  
[FN9244R-12-06](#) [FN9244R-3-07](#) [FN9244R-8-06](#) [FN9244S1-10-06](#) [FN9244S1-12-06](#) [FN9244S1-3-06](#) [FN9244S1B-6-06](#) [FN9244S1R-3-06](#)  
[FN9244S-6-06](#) [FN9244SB-10-06](#) [FN9244SB-6-06](#) [FN9244SB-8-06](#) [FN9244SR-10-06](#) [FN9244SR-6-06](#) [FN9244U-3-06](#) [FN9244U-8-06](#)  
[FN9260A-6-06](#) [PE00SSSXB](#) [Fuse-H-EUR-1](#) [Fuse-H-USA-1](#) [PM00XD000](#) [PS0SSDBX0](#) [PS0SXSH3B](#) [A-0701-HT-H](#) [RAPC3FG](#) [15EJMS8](#)