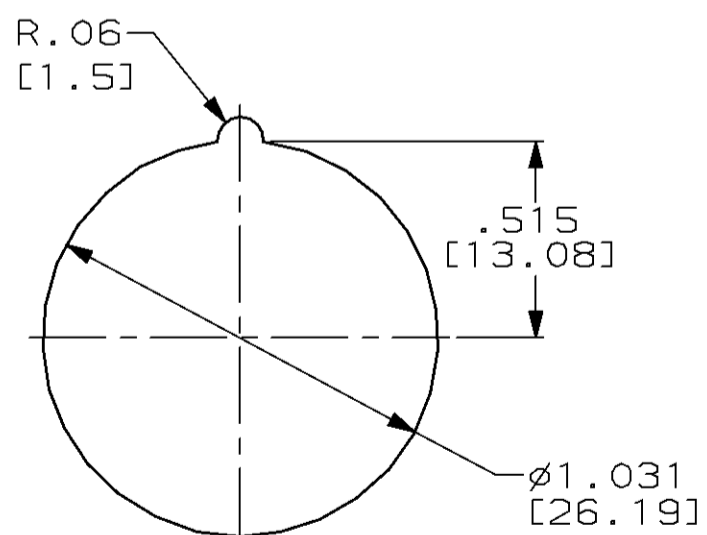
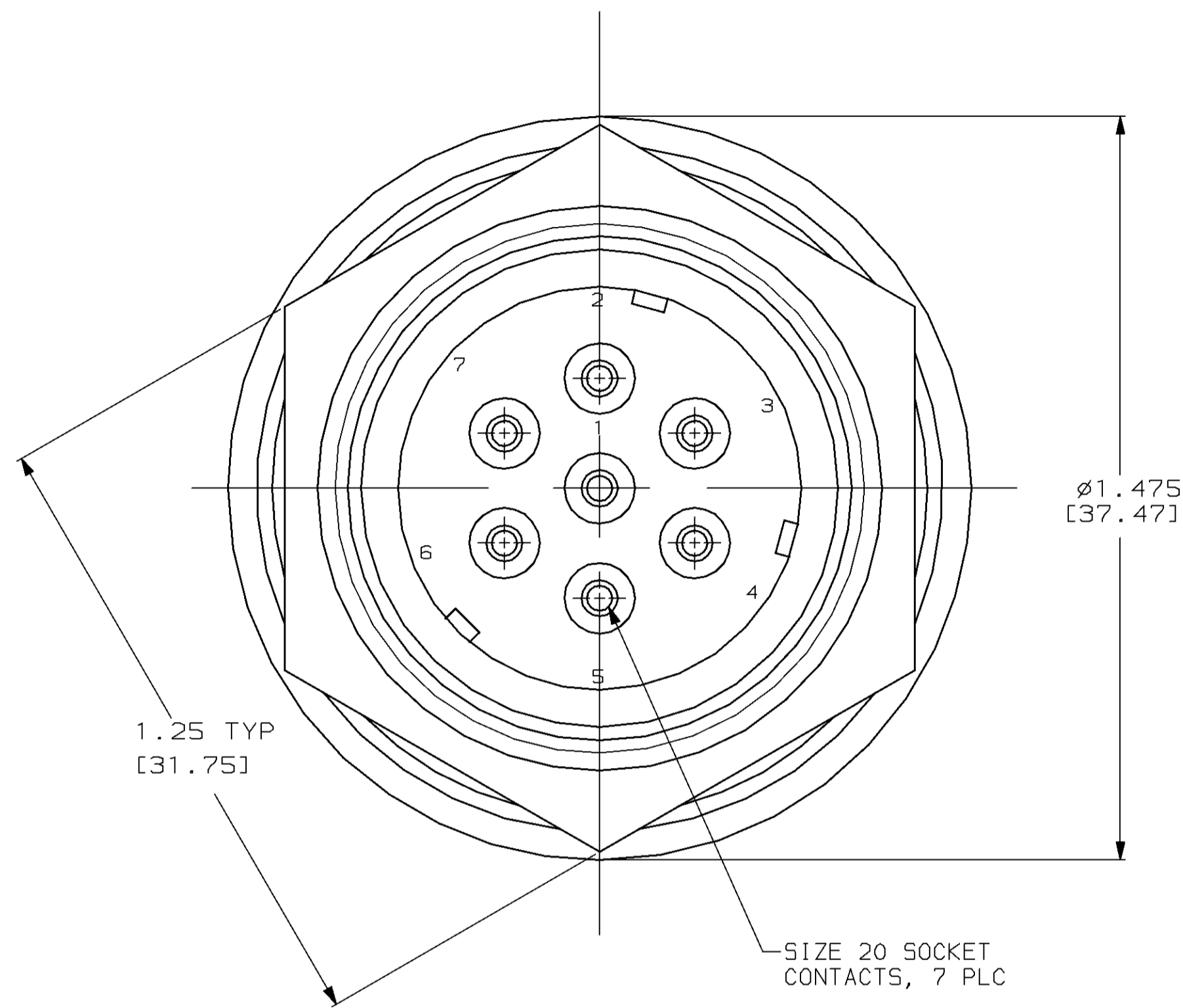
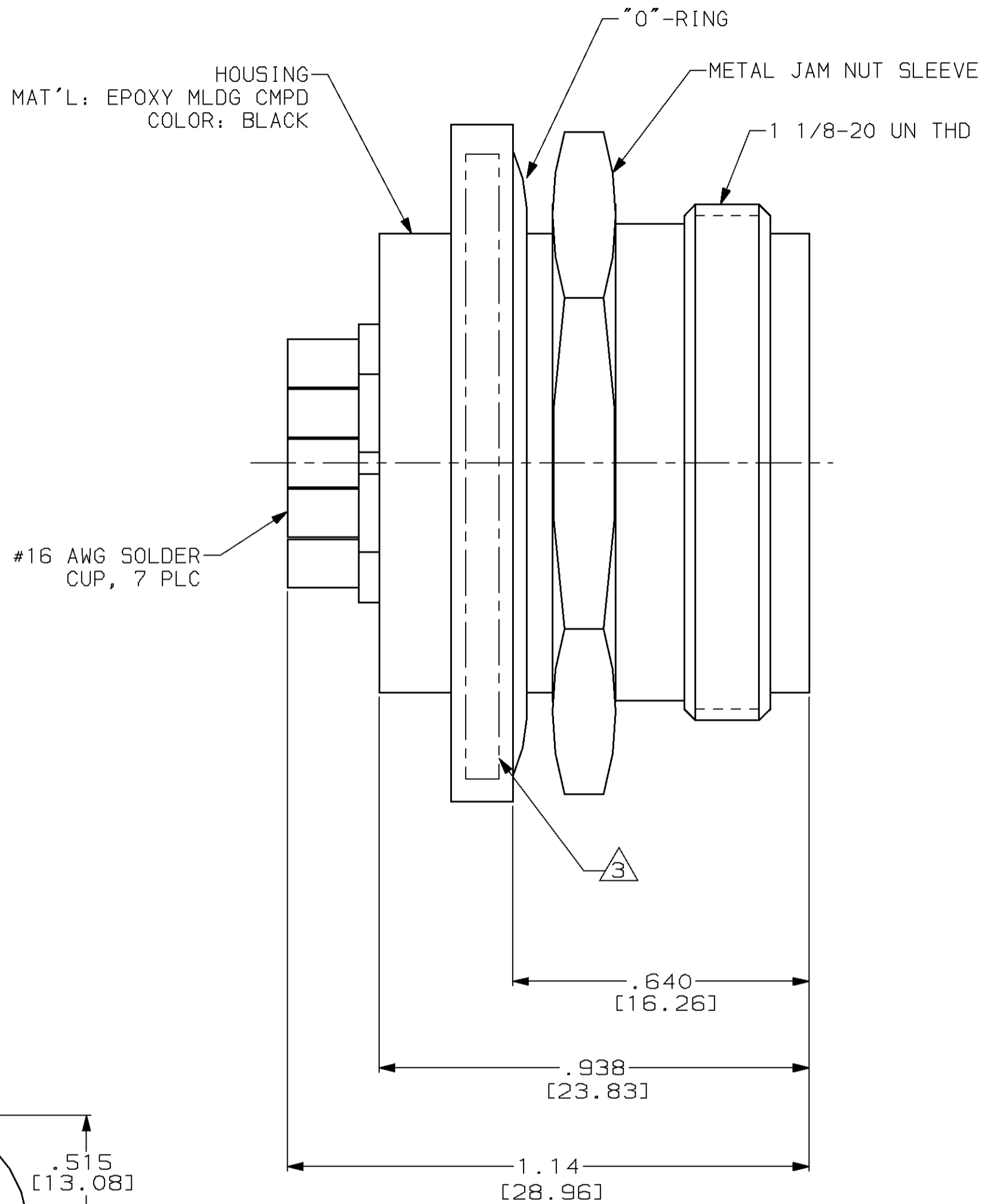


THIS DRAWING IS UNPUBLISHED. RELEASED FOR PUBLICATION
 © COPYRIGHT 19 BY AMP INCORPORATED. ALL RIGHTS RESERVED.

LOC	DIST	REVISIONS			
P	LTR	DESCRIPTION	DATE	DWN	APVD
DF	SO	A	REV & REDRAWN; 0600-5547-96	7-96	CT SG



RECOMMENDED PANEL CUTOUT
 1 SCALE 2:1

- 1 MAX PANEL THICKNESS: .125 [3.18].
- 2 THIS RECEPTACLE IS HERMETICALLY SEALED.
- 3 MARKED PER MIL-STD-130.

866182-1

PART NO.

THIS DRAWING IS A CONTROLLED DOCUMENT.		DWN C.C. THOMAS 7-29-96	AMP Incorporated Harrisburg, PA 17105-3608		
DIMENSIONS: INCHES [mm]		CHK S. GLATFELTER 8-13-96	AMP		
TOLERANCES UNLESS OTHERWISE SPECIFIED:		APVD S. GLATFELTER 8-13-96	NAME		
0 PLC ±-		PRODUCT SPEC		7 PIN MINIATURE RCPT KIT, LGH	
1 PLC ±-		APPLICATION SPEC		SIZE A2	
2 PLC ±.01 [0.3]		WEIGHT -		CAGE CODE 00779	
3 PLC ±.010 [0.25]		FINISH		DRAWING NO. 866182	
4 PLC ±-		MATERIAL SEE CALLOUTS		SCALE 4:1	
ANGLES ±-		CUSTOMER DRAWING		SHEET 1 OF 1	
FINISH		REV A			

X-ON Electronics

Largest Supplier of Electrical and Electronic Components

Click to view similar products for [Standard Circular Connector](#) category:

Click to view products by [TE Connectivity](#) manufacturer:

Other Similar products are found below :

[5M2530B10P](#) [600259N006](#) [600273N007](#) [6134-336-13149](#) [6134-337-11149](#) [6134-337-2390](#) [6134-341-17149](#) [6280-4SG-516](#) [6280-7SG-3DC](#)
[6290](#) [6291A](#) [66200A-10](#) [680-SMG](#) [681-PMG](#) [CXS3102A14S2P](#) [CXS3102A181S](#) [7271-6SG-300](#) [7282-3PG-300-CH3](#) [75-474014-05S](#) [75-](#)
[474618-01S](#) [75-474618-04P](#) [75-474618-04S](#) [799539-000](#) [MI8-SE](#) [805-005-07NF11-19PC](#) [805-005-07NF15-7PA](#) [8280-4PG-516](#) [8280-7PG-](#)
[519](#) [8282-5PG-519](#) [836783-1](#) [MP-4102-25P-C](#) [862256-1](#) [864019-2](#) [866857-1](#) [867865-1](#) [PT01SP-14-18P](#) [PT08P-14-5S](#) [120-1833-000](#)
[QCM019PC2DC012B](#) [1-2069279-1](#) [121583-0217](#) [121667-0020](#) [129591AU](#) [1000B BULK](#) [RD10A16-19-P6CS051/1](#) [RD10A20-31-](#)
[P8CS051/1](#) [RD16A14-12-S6CS051/2](#) [1301240290](#) [1301240347](#) [1301860202](#) [1301240268](#)