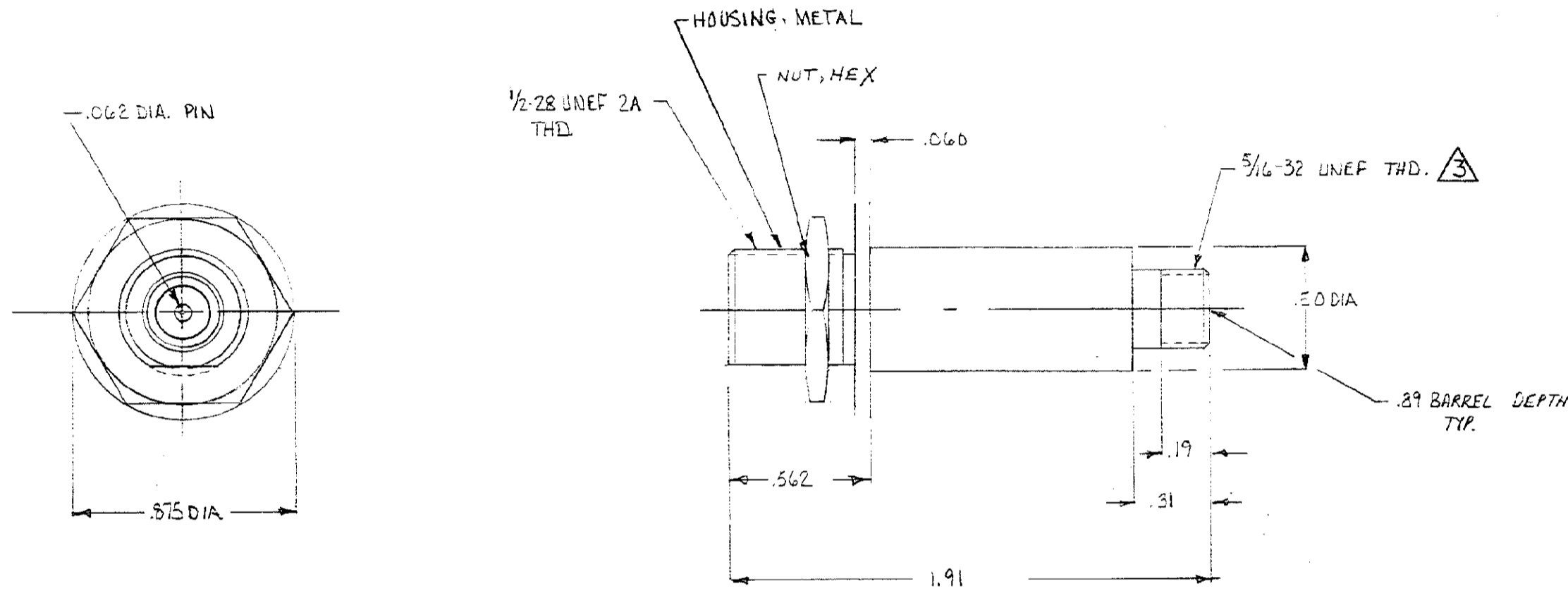


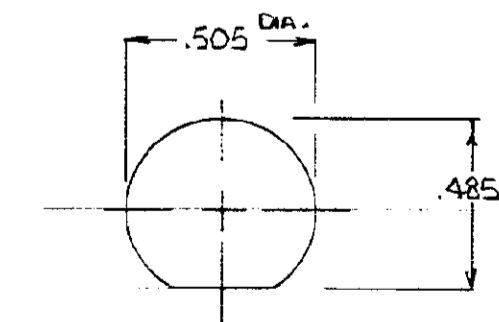
4  
DRAWING MADE IN THIRD ANGLE PROJECTION

© COPYRIGHT 1980 BY AMP INCORPORATED, HARRISBURG, PA. ALL INTERNATIONAL RIGHTS RESERVED. AMP INCORPORATED PRODUCTS COVERED BY U. S. AND FOREIGN PATENTS AND/OR PATENTS PENDING.

		REVISIONS				
P	F	ZONE	LTR	DESCRIPTION	DATE	APPROVED
			0	WAS 54-01565-1	3/21/87	SMK
			A	REV. PER ECN S-3960	9/29/87	RS



1. RECEPTACLE TO MATE WITH AMP LGH-1/2L LEAD ASSEMBLY, AVAILABLE SEPARATELY.
2. RECEPTACLE TO MATE WITH AMP LGH-VRL-1/2L LEAD ASSEMBLY, AVAILABLE SEPARATELY.
3. PER FEDERAL STANDARD H-28 3 WIRE METHOD: DIMENSION OVER WIRES TO BE: .307-.318.



RECOMMENDED PANEL CUTOUT

866857-1 AS SHOWN

				UNLESS OTHERWISE SPECIFIED DIMENSIONS ARE IN INCHES. TOLERANCES: .00 ± .03, .000 ± .015 ANGLES ±		CONTRACT NO		AMP INCORPORATED Elizabethtown, Pa.	
				MATERIAL		DR <i>3/24/80</i> 10/24/80		NAME	
				FINISH		CHK		VRL-1/2L RECEPTACLE, FEED-THRU SPLICE	
				NEXT ASSY		APPD <i>M. Jackson</i> 10/24/80		LGH	
				FINAL ASSY		DSGN APPD		SIZE CODE IDENT NO DRAWING NO	
				NEXT ASSY		OTHER APPD		C 00779 866857	
				USED ON				SCALE	
				APPLICATION				SHEET 1/1	

## X-ON Electronics

Largest Supplier of Electrical and Electronic Components

*Click to view similar products for [Standard Circular Connector](#) category:*

*Click to view products by [TE Connectivity](#) manufacturer:*

Other Similar products are found below :

[C015](#) [10F006](#) [001](#) [1](#) [5M2530B10P](#) [600247N007](#) [600259N006](#) [600273N007](#) [600432N009](#) [6280-2PG-519](#) [6280-3PG-311](#) [6280-3SG-311](#)  
[6280-7SG-3DC](#) [6280-7SG-522](#) [6282-5PG-311](#) [6282-6PG-519](#) [6282-8SG-311](#) [6283-11](#) [6283-15](#) [6290](#) [6293](#) [6382-2PG-311](#) [6382-2PG-3DC](#)  
[6382-2SG-321](#) [6382-2SG-3DC](#) [6382-4SG-516](#) [67-03E20-37P](#) [681-PMG](#) [CXC3106A1811S](#) [CXS3102A14S2P](#) [CXS3102A181S](#)  
[CXS3106A14S6S](#) [D38999/20FC8SA](#) [L/C](#) [MB12P-1](#) [MB12R-6](#) [7251-2PG-300](#) [7251-2SG-300](#) [7251-4PG-300](#) [7251-4SG-300](#) [7251-5PG-300](#)  
[7251-5SG-300](#) [7251-6SG-300](#) [7251-7PG-300](#) [7251-8PG-300](#) [7271-6SG-300](#) [7282-3PG-300-CH3](#) [73000005663](#) [75-190011-03P](#) [75-190216-08S](#) [75-190218-10P](#) [75-214636-52P](#) [75-474118-10P](#) [75-474211-03P](#)