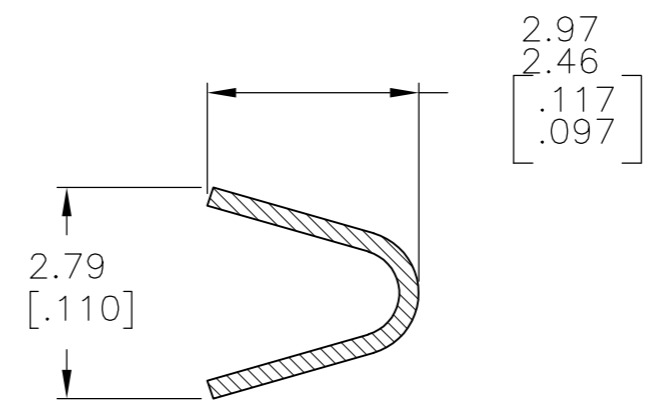
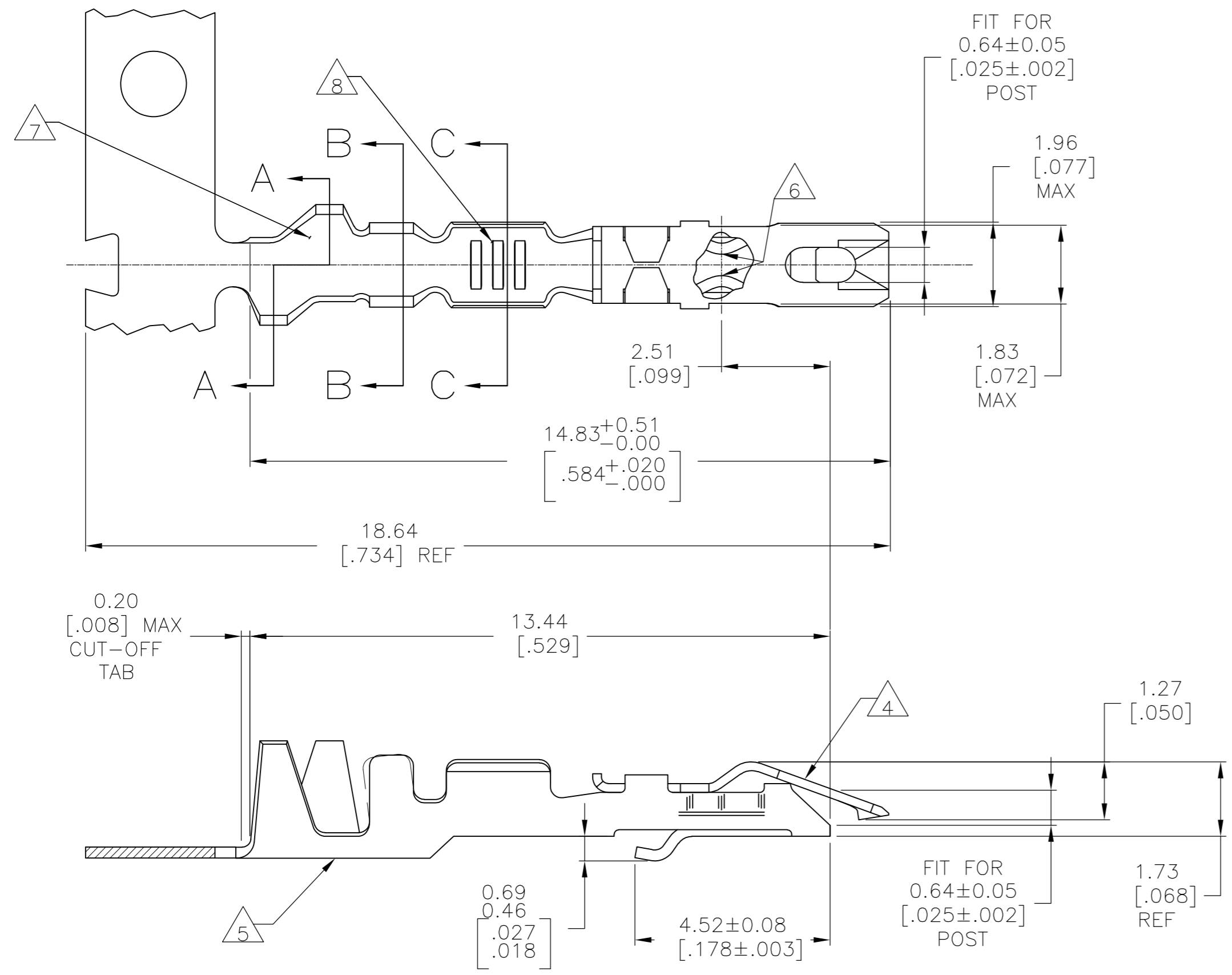
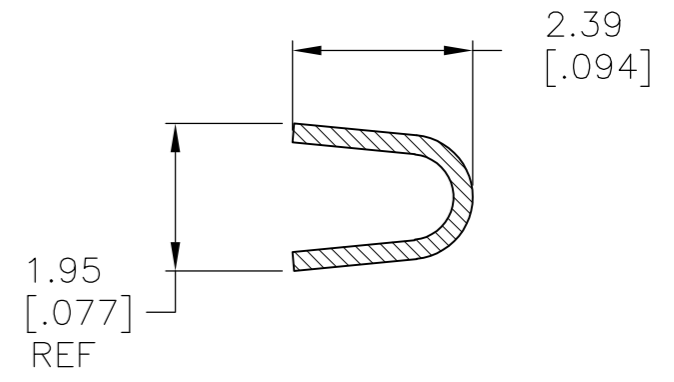


THIS DRAWING IS UNPUBLISHED. RELEASED FOR PUBLICATION
 © COPYRIGHT - By - ALL RIGHTS RESERVED.

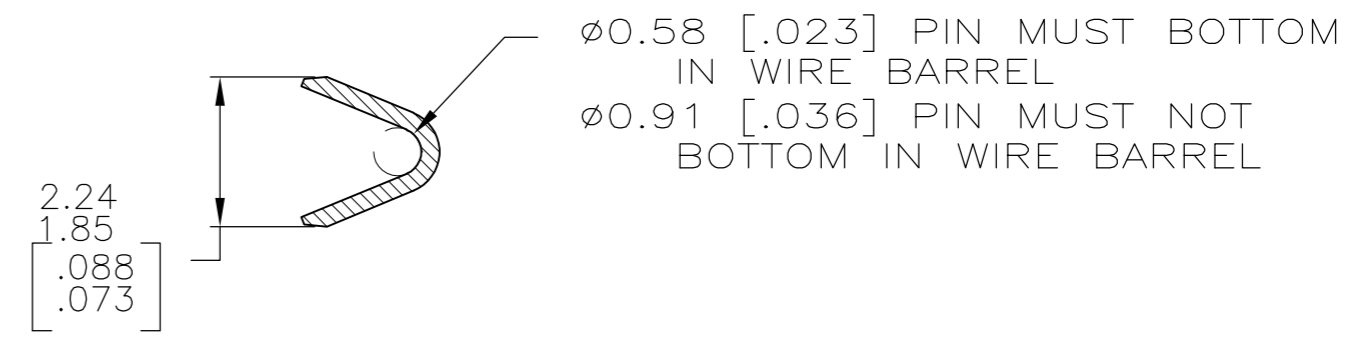
LOC		DIST		REVISIONS			
P	LTR	DESCRIPTION	DATE	DWN	APVD		
		Z1		REVISED PER ECO-11-004917	11MAR11	RK	HMR



SECTION A-A



SECTION B-B



SECTION C-C

1. REELED FOR MINI APPLICATOR.
- 2 PLATED WITH .00254 [.000100] TIN LEAD OVER .00127 [.000050] NICKEL ENTIRE CONTACT.
- 3 PLATED WITH .00076 [.000030] GOLD IN CONTACT AREA, GOLD FLASH ON REMAINDER, OVER .00127 [.000050] NICKEL.
- 4 SPRING MATERIAL: STAINLESS STEEL.
- 5 BODY MATERIAL: PHOSPHORUS BRONZE (SEE TABLE FOR FINISH.)
- 6 POINT OF PLATING MEASUREMENT.
- 7 INSULATION BARREL RANGE ø0.71 [.038]-ø1.57 [.062].
- 8 WIRE BARREL RANGE #20
- 9 PLATED WITH .00254 (.000100) TIN OVER .00127 (.000050) NICKEL, ENTIRE CONTACT.

SUPERSEDED BY 5-867052-1

9	5-867052-1
9	867052-3
3	867052-2
2	867052-1
FINISH	PART NUMBER

THIS DRAWING IS A CONTROLLED DOCUMENT.		DWN	E.BRANDBERG	17-1-93	TE Connectivity	
DIMENSIONS: mm [INCHES]		CHK	S. SHUEY	26-1-93	CONTACT ASS'Y, LOCKING CLIP. FOR .025 SQUARE POST.	
TOLERANCES UNLESS OTHERWISE SPECIFIED:		APVD	-	-	NAME	
0 PLC ± -		PRODUCT SPEC	108-36028	SIZE		
1 PLC ± -		APPLICATION SPEC	114-25006	CAGE CODE	DRAWING NO	RESTRICTED TO
2 PLC ± -		WEIGHT	-	A2	00779	C=867052
3 PLC ± 0.13[.005]		CUSTOMER DRAWING		SCALE	10:1	SHEET 1 of 1
4 PLC ± -				REV	Z1	
4 ANGLES ± -						
MATERIAL	AS SHOWN	FINISH	AS SHOWN			

X-ON Electronics

Largest Supplier of Electrical and Electronic Components

Click to view similar products for [Headers & Wire Housings](#) category:

Click to view products by [TE Connectivity](#) manufacturer:

Other Similar products are found below :

[892-18-020-10-001101](#) [58102-G61-06LF](#) [582553-1](#) [0009485154](#) [009176003701906](#) [0050291907](#) [LY20-4P-DT1-P1E-BR](#) [02.125.8002.8](#)
[609-3404](#) [61062-3](#) [61082-181009](#) [622-3653LF](#) [63453-116](#) [636-1030](#) [636-1427](#) [636-3427](#) [636-4007](#) [641938-9](#) [641991-4](#) [644827-2](#) [65817-010LF](#) [65817-015LF](#) [65863-015LF](#) [66207-023LF](#) [67095-007LF](#) [67601157](#) [68645-018](#) [68648-049](#) [70.362.1628.0](#) [70-4210](#) [70-4226B](#) [70-4853B](#) [707-5020](#) [707-5028](#) [71.350.2428.0](#) [71918-208LF](#) [71961-016LF](#) [733-134](#) [733-162](#) [754199-000](#) [760-3052](#) [787-8014-00](#) [79531-3000](#)
[FCN-360C032-B](#) [FCN-367T-T012/H](#) [FCN-723D010/2](#) [80.063.4001.1](#) [800-90-001-10-001000](#) [800-90-010-10-002000](#) [801-43-002-10-013000](#)