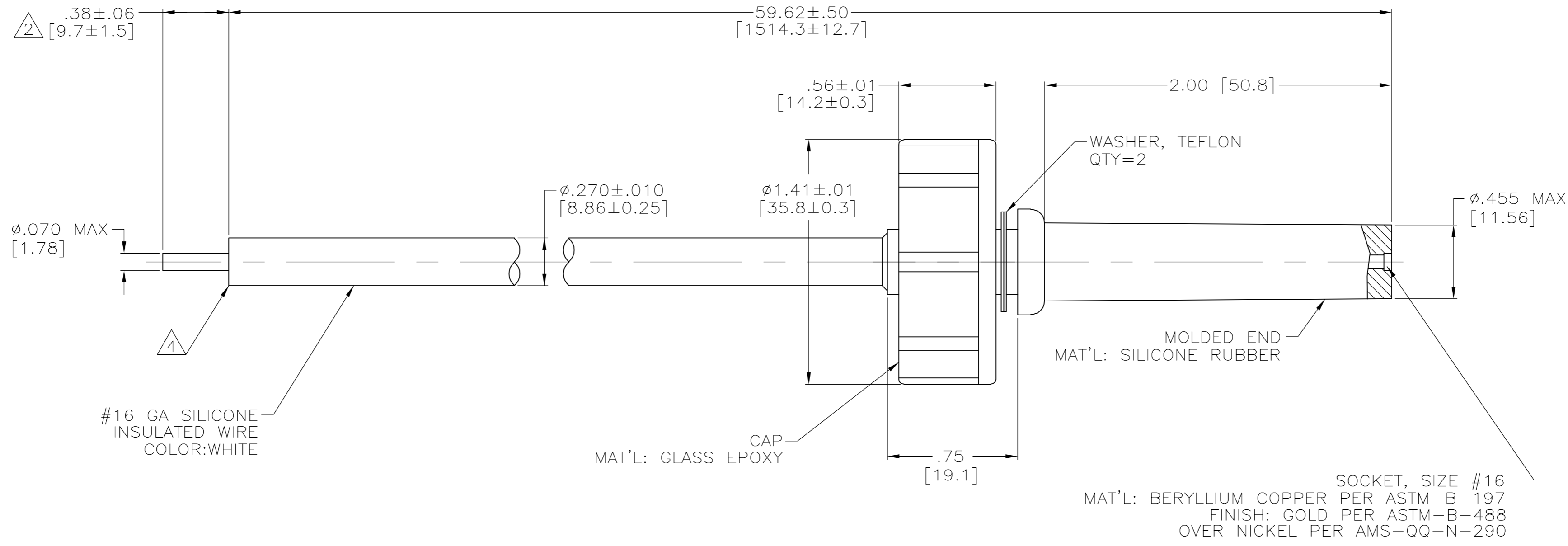


THIS DRAWING IS UNPUBLISHED. RELEASED FOR PUBLICATION - N/A .
 © COPYRIGHT N/A BY TYCO ELECTRONICS CORPORATION. ALL RIGHTS RESERVED.

LOC	DIST	REVISIONS					
DF	SO	P	LTR	DESCRIPTION	DATE	DWN	APVD
		D		REV PER ECO-05-002595	07-05	AA	DE

1. TO MATE WITH AMP LGH-4 RECEPTACLE WITH 2.00 [50.8] BARREL DEPTH.
2. PIGTAIL IS SOLDER DIPPED.
3. MAX OPERATING VOLTAGE: 40 KVDC
4. INSULATION CUT, BUT NOT REMOVED.



4	5-867566-1
2	867566-1
REMARKS	PART NO.

THIS DRAWING IS A CONTROLLED DOCUMENT.		DWN	12-AUG-96	 Tyco Electronics Corporation Harrisburg, Pa 17105-3608
DIMENSIONS: INCHES [mm]		CHK	13-AUG-96	
TOLERANCES UNLESS OTHERWISE SPECIFIED:		APVD	13-AUG-96	
0 PLC ± - 1 PLC ± - 2 PLC ± .03 [0.8] 3 PLC ± .015 [0.38] 4 PLC ± - ANGLES ± - FINISH -		NAME	S.GLATFELTER	
MATERIAL -		PRODUCT SPEC	-	CABLE ASSY
		APPLICATION SPEC	-	LGH-1 WITH LGH-4 MOLDED END
		WEIGHT	-	SIZE A2
		CUSTOMER DRAWING	-	CAGE CODE 00779
		SCALE	2:1	DRAWING NO C=867566
		SHEET	1 OF 1	RESTRICTED TO -
		REV	D	

X-ON Electronics

Largest Supplier of Electrical and Electronic Components

Click to view similar products for [DC Power Cords](#) category:

Click to view products by [TE Connectivity](#) manufacturer:

Other Similar products are found below :

[H-IN-1](#) [H-IN-12](#) [1300000052](#) [H-OU-32](#) [H-OU-34](#) [H-OU-7](#) [H-OU-8](#) [H-OU-9](#) [H-PA-7](#) [H-RC-2](#) [H-SN-16](#) [H-SN-21](#) [172-4000](#) [172-4101](#)
[172-7443-E](#) [2J-1865A](#) [H-IN-13](#) [H-IN-14](#) [H-IN-4](#) [H-IN-8](#) [426055400-3](#) [MN47A4BC01M010](#) [H-OU-11](#) [H-OU-12](#) [H-OU-13](#) [H-OU-14](#) [H-](#)
[OU-19](#) [H-OU-2](#) [H-OU-23](#) [H-OU-24](#) [H-OU-31](#) [H-PA-5](#) [H-PA-8](#) [H-RC-1](#) [H-SN-14](#) [H-SN-22](#) [32102-021500-200-RS](#) [420680840-3](#)
[426451500-3](#) [H-SN-18](#) [H-OU-21](#) [H-OU-10](#) [1-832692-4](#) [FJ-VSP 3M](#) [1300000086](#) [1300140079](#) [96CB-POWER-B-1.8M2](#) [520-092-R](#)
[426040200](#) [H-OU-28](#)