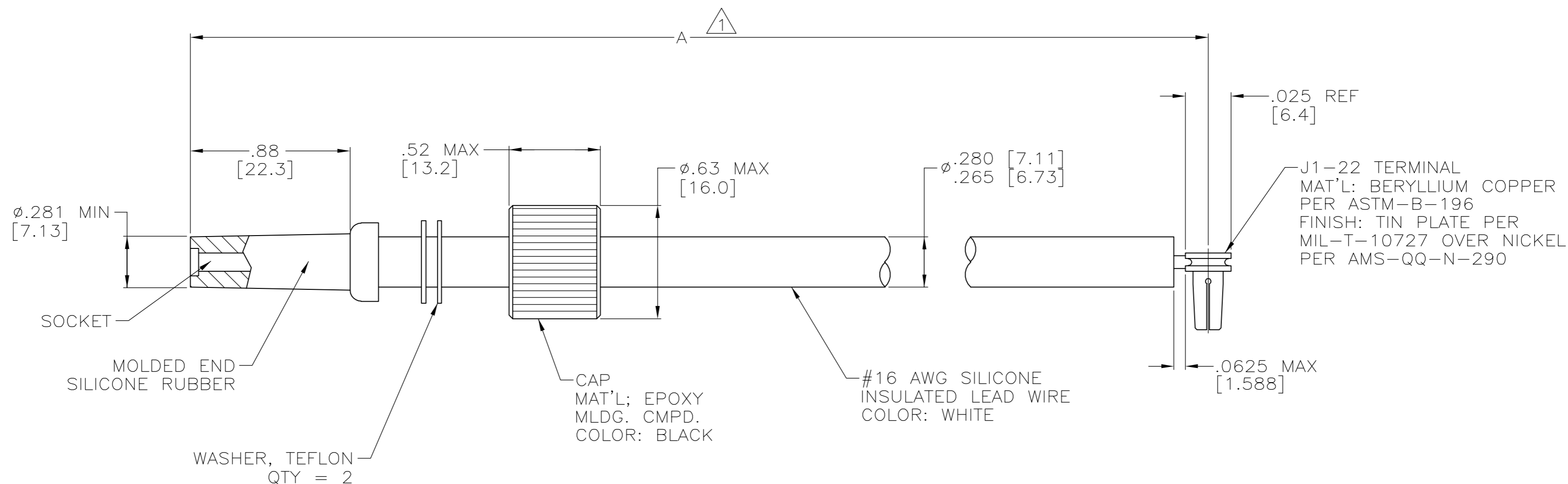


THIS DRAWING IS UNPUBLISHED. RELEASED FOR PUBLICATION - .N/A .
 © COPYRIGHT N/A BY TYCO ELECTRONICS CORPORATION. ALL RIGHTS RESERVED.

LOC	DIST	REVISIONS					
DF	SO	P	LTR	DESCRIPTION	DATE	DWN	APVD
		K		REV PER ECO-05-005459	08-05	AA	DE

PART NO.	A DIM ¹	CUST PART NO. INK STAMPED	REMARKS
868028-1	9.00 [228.6]	PS78548-4	⁶
868028-2	12.00 [304.8]	PC97504-1	⁶
868028-3	5.50 [139.7]	PC97504-2	⁶
868028-4	9.50 [241.3]	PC97504-3	⁶
868028-5	7.00 [177.8]	PC97504-4	⁶
868028-6	18.00 [457.2]	PC97526-1	⁶
5-868028-3	5.50 [139.7]	-	⁷

- ¹ TOLERANCE OF LEAD LENGTH:
UP TO 24 INCHES [609.6] = ±.12 [±3.0]
24 INCHES [609.6] & UP = ±1%
- 2. MARKED PER MIL-STD-130.
- 3. TO MATE WITH AMP LGH-1
RECEPTACLE WITH .88 BARREL DEPTH.
- 4. PRODUCT WILL MEET CUSTOMER PART NUMBER
REQUIREMENTS.
- 5. OPERATING VOLTAGE: 20 KVDC AT 0 TO 70,000 FEET, -55
-55°C TO 125°C.
- ⁶ J1-22 TERMINAL SOLDERED TO WIRE USING 60/40
TIN-LEAD SOLDER.
- ⁷ J1-22 TERMINAL SOLDERED TO WIRE USING Sn10
SILVER SOLDER.



THIS DRAWING IS A CONTROLLED DOCUMENT.		DWN C.C.THOMAS 09-NOV-89	Tyco Electronics Corporation Harrisburg, Pa 17105-3608	
DIMENSIONS: INCHES [mm]		CHK D.EABY 01-DEC-89		
TOLERANCES UNLESS OTHERWISE SPECIFIED:		APVD D.EABY 01-DEC-89	NAME LEAD ASSY SGL END LGH-1	
0 PLC ± - 1 PLC ± - 2 PLC ± .02 [0.5] 3 PLC ± - 4 PLC ± - ANGLES ± -		PRODUCT SPEC -	SIZE A2	CAGE CODE 00779
MATERIAL SEE CALLOUTS		FINISH SEE CALLOUTS	DRAWING NO C=868028	RESTRICTED TO -
CUSTOMER DRAWING		WEIGHT -	SCALE 2:1	SHEET 1 OF 1
			REV K	

X-ON Electronics

Largest Supplier of Electrical and Electronic Components

Click to view similar products for [DC Power Cords](#) category:

Click to view products by [TE Connectivity](#) manufacturer:

Other Similar products are found below :

[172-4000](#) [172-4101](#) [172-7443-E](#) [21033836407](#) [2J-1865A](#) [2R7006A20A120](#) [426055400-3](#) [MN47A4BC01M010](#) [H-OU-2](#) [CA0002](#)
[420680840-3](#) [426451500-3](#) [P162PT4-36](#) [1-832692-4](#) [FJ-VSP 3M](#) [96CB-POWER-B-1.8M2](#) [426040200](#) [CA0006](#) [H-OU-27](#) [1700019464](#) [FJ-](#)
[VSP 10M](#) [MN47B4BC01M040](#) [H-OU-20](#) [2-836917-8](#) [867566-1](#) [804001P03M050G](#) [2050KH1-BK](#) [426013710-3](#) [58257-1069](#) [216603-0037](#)
[1011147](#) [1011324](#) [1012028](#) [862545-5](#) [BXC-10567](#) [172-2555](#) [32102-022800-200-RS](#) [P29000-M2](#) [P29004-M2](#) [DC.CAB.0201.0150](#)
[DC.CAB.0301.0150](#) [DC.CAB.0610.0150](#) [DC.CAB.0700.0150](#) [DC.CAB.1000.0300](#) [DC.CAB.1100.0150](#) [DC.CAB.1400.0150](#)
[DC.CAB.1410.0150](#) [DC.CAB.1500.0150](#) [DC.CAB.1811.0150](#) [DC.CAB.1900.0150](#)