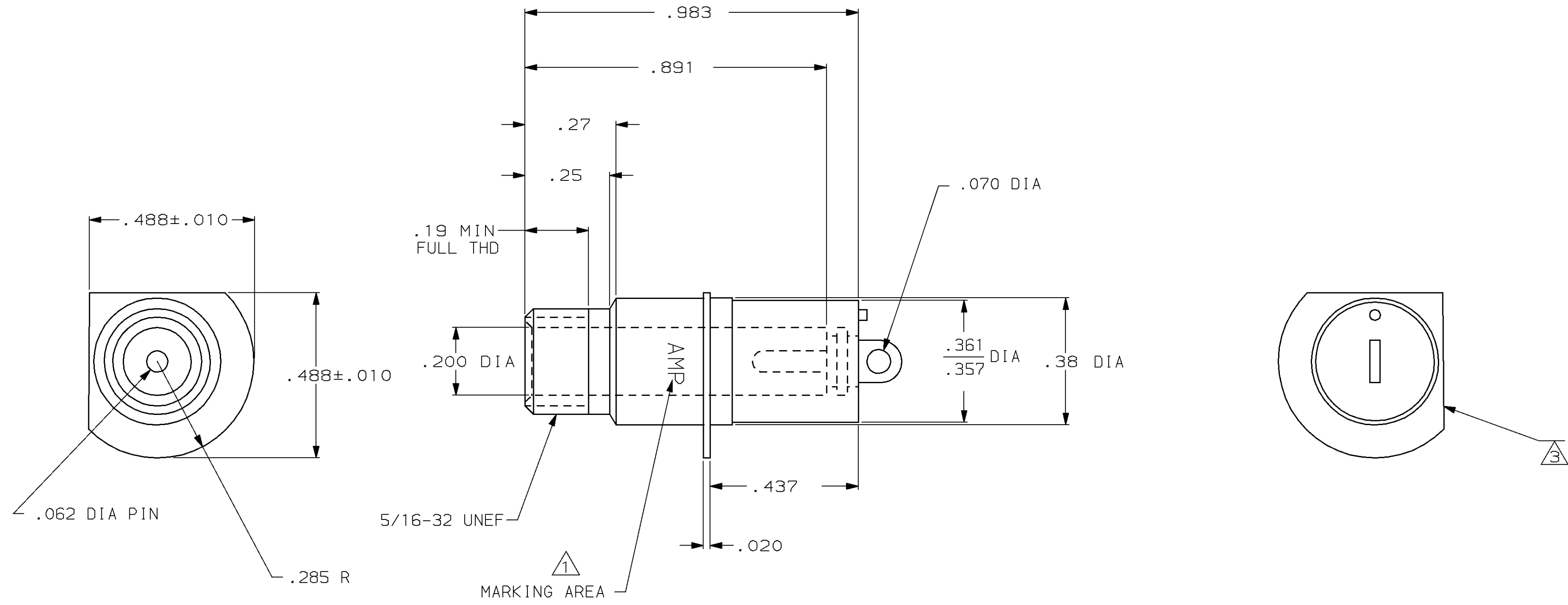


THIS DRAWING IS UNPUBLISHED. RELEASED FOR PUBLICATION ,19 .
 © COPYRIGHT 19 BY AMP INCORPORATED, HARRISBURG, PA. ALL INTERNATIONAL RIGHTS RESERVED. AMP PRODUCTS MAY BE COVERED BY U.S. AND FOREIGN PATENTS AND/OR PATENTS PENDING.

LOC		DIST		P		F		REVISIONS		DATE	APPROVED
DF	SO			ZONE	LTR	DESCRIPTION					
					A	REV PER 0600-6064-96 CT		3-97	SG		



- 1 MARKED PER MIL-STD-130.
- 2. THIS RECEPTACLE IS HERMETICALLY SEALED.
- 3 EYELET PORTION OF PIN AND FLATS ON FLANGE TO BE ORIENTED AS SHOWN.

868698-1
PART NO

UNLESS OTHERWISE SPECIFIED DIMENSIONS ARE IN INCHES TOLERANCES ON :		DR 2-5-86 R. HEPNER		AMP INCORPORATED Harrisburg, Pa. 17105		
2 PL DEC $\pm .01$		CHK 2-5-86 M. GARDNER				
3 PL DEC $\pm .005$		APPD 2-5-86 M. GARDNER		NAME RECEPTACLE, LGH 1/2L		
ANGLES $\pm -$		APPD 2-5-86 R. HEPNER				
MATERIAL	-	PRODUCT SPEC		SIZE	FSCM NO	DRAWING NO
FINISH	-	APPLICATION SPEC		C	00779	868698
		WEIGHT		SCALE	4:1	SHEET 1 OF 1

X-ON Electronics

Largest Supplier of Electrical and Electronic Components

Click to view similar products for [Heavy Duty Power Connectors](#) category:

Click to view products by [TE Connectivity](#) manufacturer:

Other Similar products are found below :

[647757-1](#) [6643411-1](#) [6646058-2](#) [6646137-1](#) [6646138-1](#) [6646479-1](#) [6646608-1](#) [6646786-1](#) [6646940-1](#) [6651091-1](#) [6651525-1](#) [6651529-1](#)
[6651788-1](#) [696475-1](#) [702-32-01109](#) [703-25-02205](#) [73000005059](#) [73000005642](#) [73080255059](#) [73080965046](#) [765-15-0080A](#) [765-16-0080B](#)
[765-18-0080D](#) [829992-1](#) [902-77-02113](#) [PS00/A0620/6300](#) [PS25/A0420/63](#) [129-1J](#) [1409400](#) [AN0024023](#) [E6374G1](#) [e6389g2](#) [157-43GW8](#)
[MS3117-14AC](#) [1643543-1](#) [1650540-1](#) [1651811-2](#) [1766260-1](#) [1766282-1](#) [1766966-1](#) [1791340000](#) [NLDFT-3-BL-L-S120-M40A](#) [NLDFT-N-](#)
[W-L-C240-M40B](#) [NLS-2-R-C240-M40B](#) [NLS-N-W-C240-M40B](#) [NPS-3-BL-T6](#) [1986615-1](#) [2-1589900-8](#) [2199314-1](#) [KA8102](#)