



86BSD

Digital Output

SPECIFICATIONS

- ◆ **Stainless steel with O-ring seal**
- ◆ **Pressure/temperature read-out**
- ◆ **Digital output**
- ◆ **ASIC calibrated**
- ◆ **Absolute, gage**
- ◆ **Cable/connector option**
- ◆ **Low power option**
- ◆ **16mm diaphragm diameter**

The 86BSD is a small profile, media compatible, piezoresistive silicon pressure sensor packaged in a 316L stainless steel housing. This 14-bit digital output pressure sensor supports I2C and SPI interface protocols, may come in a 3.3 or 5.0Vdc supply voltage and is designed for o-ring mounting. The sensing package utilizes silicone oil to transfer pressure from the 316L stainless steel diaphragm to the sensing element.

The 86BSD is designed for high performance, low pressure applications. A custom ASIC is used for temperature compensation, offset correction, and provides a digital output of 10~90% or 5~95%.

For a similar sensor with stainless steel fittings, refer to the 85BSD digital output pressure sensor.

FEATURES

- ◆ Mountable with O-ring seal
- ◆ ±0.25% Accuracy
- ◆ ±1.0 Total Error Band
- ◆ Cable/connector option
- ◆ Low power option
- ◆ I²C or SPI Interface protocols

APPLICATIONS

- ◆ Level controls
- ◆ Tank level measurement
- ◆ Corrosive fluids and gas measurement systems
- ◆ Sealed systems
- ◆ Manifold pressure measurement
- ◆ Barometric pressure measurement
- ◆ Submersible depth monitoring

STANDARD RANGES

| Range | psiG | psiA | Range | BarG | BarA |
|----------|------|------|----------|------|------|
| 0 to 001 | ◆ | | 0 to .07 | ◆ | |
| 0 to 002 | ◆ | | | | |
| 0 to 005 | ◆ | | 0 to .35 | ◆ | |
| 0 to 015 | ◆ | ◆ | 0 to 001 | ◆ | ◆ |
| 0 to 030 | ◆ | ◆ | 0 to 002 | ◆ | ◆ |
| 0 to 050 | ◆ | ◆ | 0 to 005 | ◆ | ◆ |
| 0 to 100 | ◆ | ◆ | 0 to 007 | ◆ | ◆ |
| 0 to 150 | ◆ | ◆ | 0 to 010 | ◆ | ◆ |
| 0 to 200 | ◆ | ◆ | 0 to 014 | ◆ | ◆ |
| 0 to 300 | ◆ | ◆ | 0 to 020 | ◆ | ◆ |

PERFORMANCE SPECIFICATIONS

Supply Voltage: 3.3V_{DC}

Ambient Temperature: 25°C (unless otherwise specified)

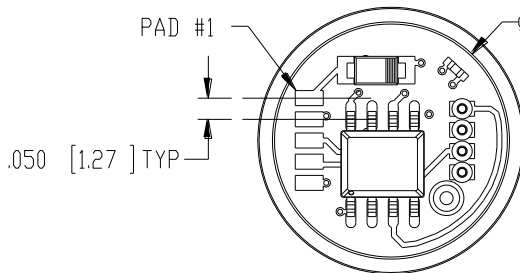
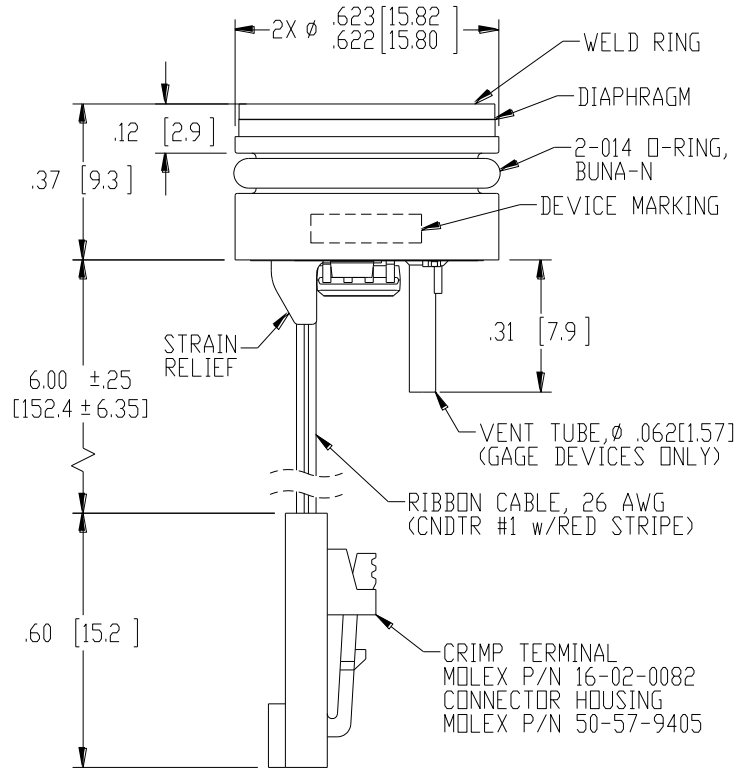
| PARAMETERS | MIN | TYP | MAX | UNITS | NOTES |
|--|--|------|------|------------|-------|
| Zero Pressure Output (10% ~ 90%) | | 666 | | Count Hex | 1 |
| Zero Pressure Output (5% ~ 95%) | | 333 | | Count Hex | 1 |
| Full Scale Pressure Output (10% ~ 90%) | | 399A | | Count Hex | 1 |
| Full Scale Pressure Output (5% ~ 95%) | | 3CCB | | Count Hex | 1 |
| Accuracy | -0.25 | | 0.25 | %Span | 2 |
| Total Error Band | -1 | | 1 | %Span | 3 |
| Pressure Resolution | 0.008 | | | %Span | |
| Temperature Accuracy | -1.5 | | 1.5 | °C | 4 |
| Resolution – Temperature | | 0.1 | | °C | |
| Input Voltage Range | 2.7 | 3.3 | 5.5 | V | 1 |
| Supply Current | | 3 | | mA | |
| Insulation Resistance (50V _{DC}) | 50 | | | MΩ | 5 |
| Overpressure | | | 2X | Rated | 6 |
| Burst Pressure | | | 3X | Rated | 7 |
| Load Resistance (R _L) | 10 | | | kΩ | |
| Long Term Stability (Offset & Span) | | ±0.5 | | %Span/Year | |
| Compensated Temperature (≤5psi) | 0 | | 50 | °C | |
| Compensated Temperature (≥15psi) | -20 | | +85 | °C | |
| Operating Temperature | -40 | | +125 | °C | |
| Storage Temperature | -40 | | +125 | °C | 8 |
| Output Pressure Resolution | | | 14 | Bits | |
| Output Temperature Resolution | 8 | | 11 | Bits | |
| Start Time to Data Ready | | | 8.4 | ms | 9 |
| Output Type | 10% to 90% or 5% to 95% | | | | |
| Interface Type | I ² C (ADDR, 0x28H) | | | | |
| | I ² C (ADDR, 0X36H) | | | | |
| | I ² C (ADDR, 0x46H) | | | | |
| | SPI | | | | |
| Media – Pressure | Liquids and gases compatible with 316/316L Stainless Steel | | | | |

Notes

1. Measured at vacuum for absolute (A), ambient for gage (G) and sealed gage(S). Output is not ratiometric to supply voltage.
2. Accuracy: combined linearity, hysteresis and repeatability.
3. Total Error Band: includes calibration errors and temperature effects over the compensated range. See Figure 3.
4. The deviation from a best fit straight line (BFSL) fitted to the output measured over the compensated temperature range. For errors beyond the compensated temperature range, see Figure 2.
5. Between case and sensing element.
6. 2X or 400psi, whichever is less. The maximum pressure that can be applied to a transducer without changing the transducer's performance or accuracy.
7. 3X or 600psi, whichever is less. The maximum pressure that can be applied to a transducer without rupture of either the sensing element or transducer.
8. Maximum temperature range for product with standard cable and connector is -20°C to +105°C.
9. Start time to data ready is the time to get valid data after POR (Power on Reset). The time to get subsequent valid data is then specified by the response time specification.
10. Device marking:
Each part shall be identified with model number, pressure range, type ('A' for absolute or 'G' Gage), Lot Number, Serial Number, and Date Code
11. Shipping/Packaging requirements:
Each unit will be packaged individually in a plastic vial with anti-static foam. The stainless steel diaphragm is protected by a static dissipative cap.
12. Direct mechanical contact with diaphragm is prohibited. Diaphragm surface must remain free of defects (scratches, punctures, dents, fingerprints, etc) for device to operate properly. Caution is advised when handling parts with exposed diaphragms. Use protective cap whenever devices are not in use.

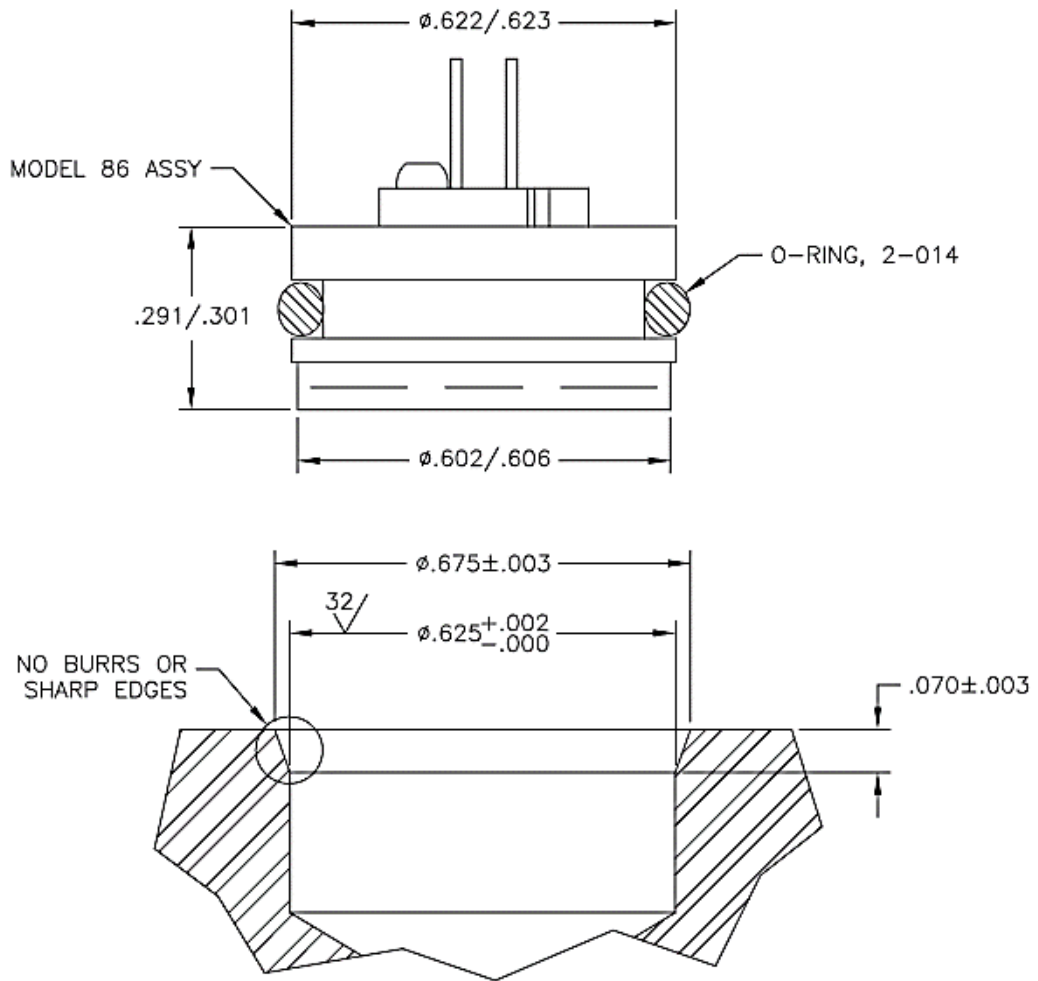
DIMENSIONS

DIMENSIONS ARE IN INCHES [mm].



| PAD/CNDR | FUNCTION |
|----------|----------|
| 1 | VDD |
| 2 | GND |
| 3 | SCL/SCLK |
| 4 | SDA/MISO |
| 5 | INT/SS |

VIEW SHOWN w/o
CABLE AND CONNECTOR FOR CLARITY



BLOCK DIAGRAM

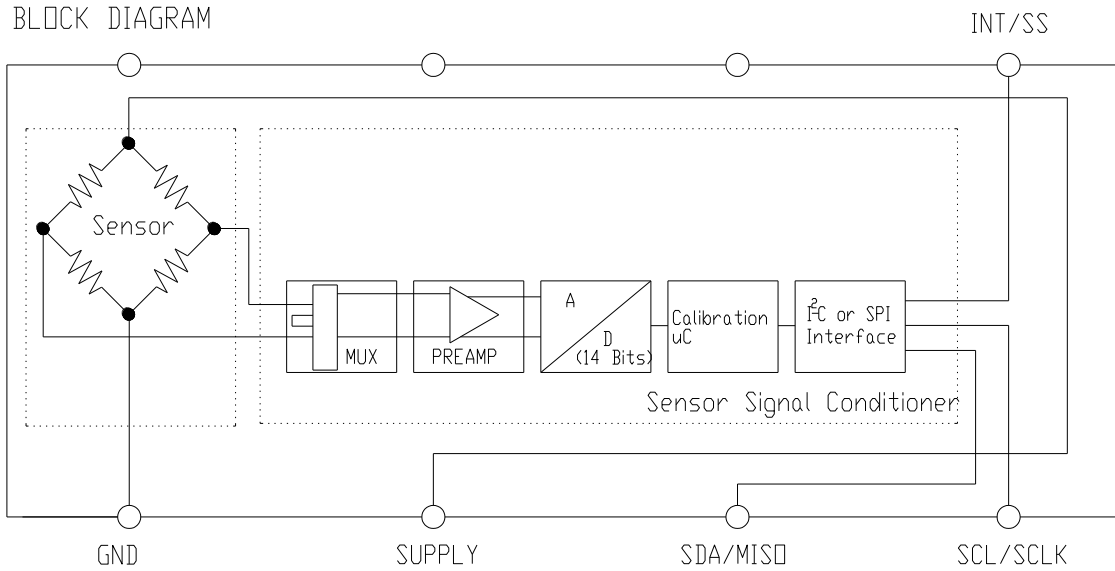


Fig 1

I2C INTERFACE PARAMETERS

| PARAMETERS | SYMBOL | MIN | TYP | MAX | UNITS |
|---|--------------------|-----|-----|-----|-------|
| SCLK CLOCK FREQUENCY | F _{SCL} | 100 | | 400 | KHz |
| START CONDITION HOLD TIME RELATIVE TO SCL EDGE | t _{HDSTA} | 0.1 | | | µs |
| MINIMUM SCL CLOCK LOW WIDTH @1 | t _{LOW} | 0.6 | | | µs |
| MINIMUM SCL CLOCK HIGH WIDTH @1 | t _{HIGH} | 0.6 | | | µs |
| START CONDITION SETUP TIME RELATIVE TO SCL EDGE | t _{SUSTA} | 0.1 | | | µs |
| DATA HOLD TIME ON SDA RELATIVE TO SCL EDGE | t _{HDDAT} | 0 | | | µs |
| DATA SETUP TIME ON SDA RELATIVE TO SCL EDGE | t _{SUDAT} | 0.1 | | | µs |
| STOP CONDITION SETUP TIME ON SCL | t _{SUSTO} | 0.1 | | | µs |
| BUS FREE TIME BETWEEN STOP AND START CONDITION | t _{BUS} | 2 | | | µs |

SPI INTERFACE PARAMETERS

| PARAMETERS | SYMBOL | MIN | TYP | MAX | UNITS |
|---|-------------------|-----|-----|-----|-------|
| SCLK CLOCK FREQUENCY | F _{SCL} | 50 | | 800 | KHz |
| SS DROP TO FIRST CLOCK EDGE | t _{HDSS} | 2.5 | | | µs |
| MINIMUM SCL CLOCK LOW WIDTH @1 | t _{LOW} | 0.6 | | | µs |
| MINIMUM SCL CLOCK HIGH WIDTH @1 | t _{HIGH} | 0.6 | | | µs |
| CLOCK EDGE TO DATA TRANSITION | t _{CLKD} | 0 | | 0.1 | µs |
| RISE OF SS RELATIVE TO LAST CLOCK EDGE | t _{SUSS} | 0.1 | | | µs |
| BUS FREE TIME BETWEEN RISE AND FALL OF SS | t _{BUS} | 2 | | | µs |

@1 COMBINED LOW AND HIGH WIDTHS MUST EQUAL OR EXCEED MINIMUM SCL PERIOD.

TEMPERATURE/PRESSURE ACCURACY

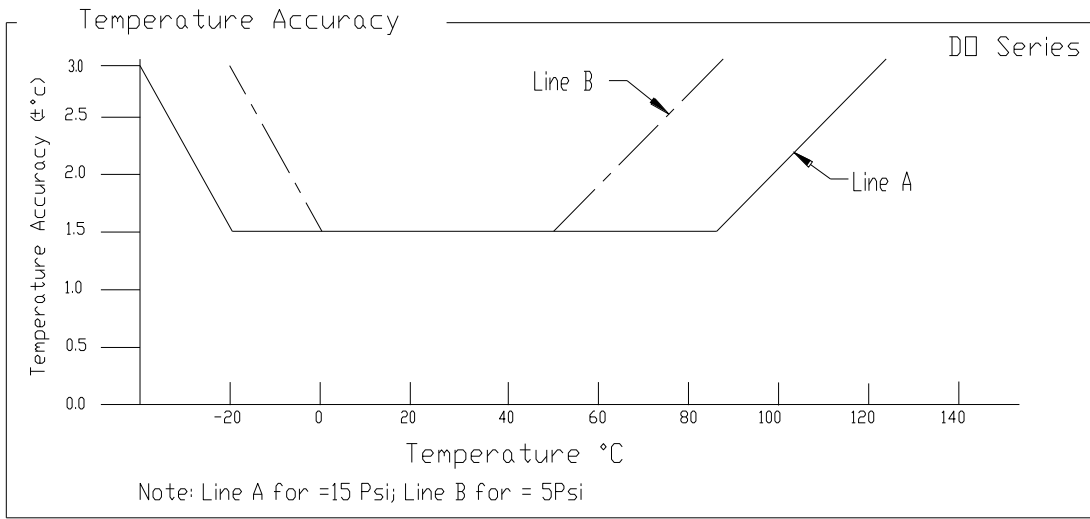


Fig 2

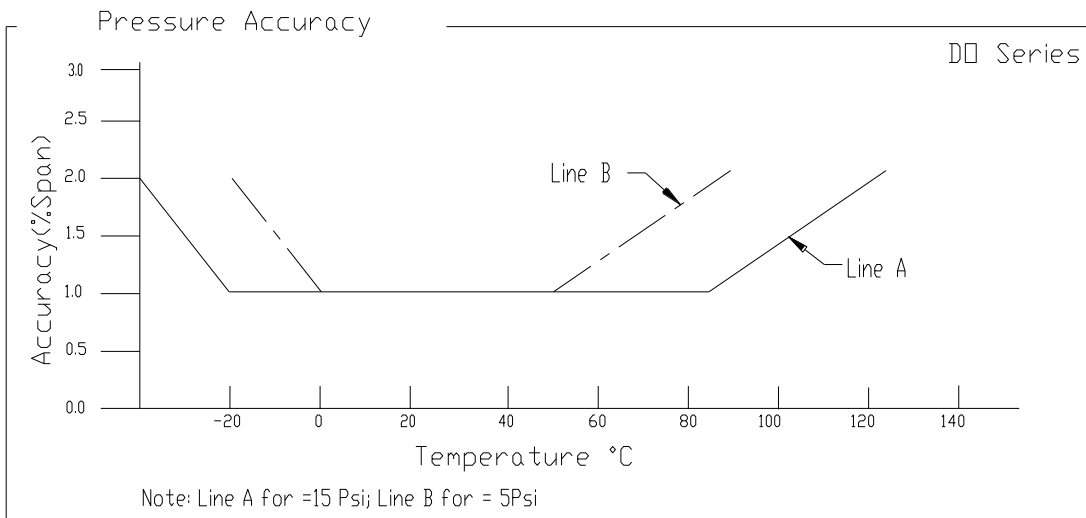


Fig 3

PRESSURE TRANSFER FUNCTIONS

Pressure Transfer Functions

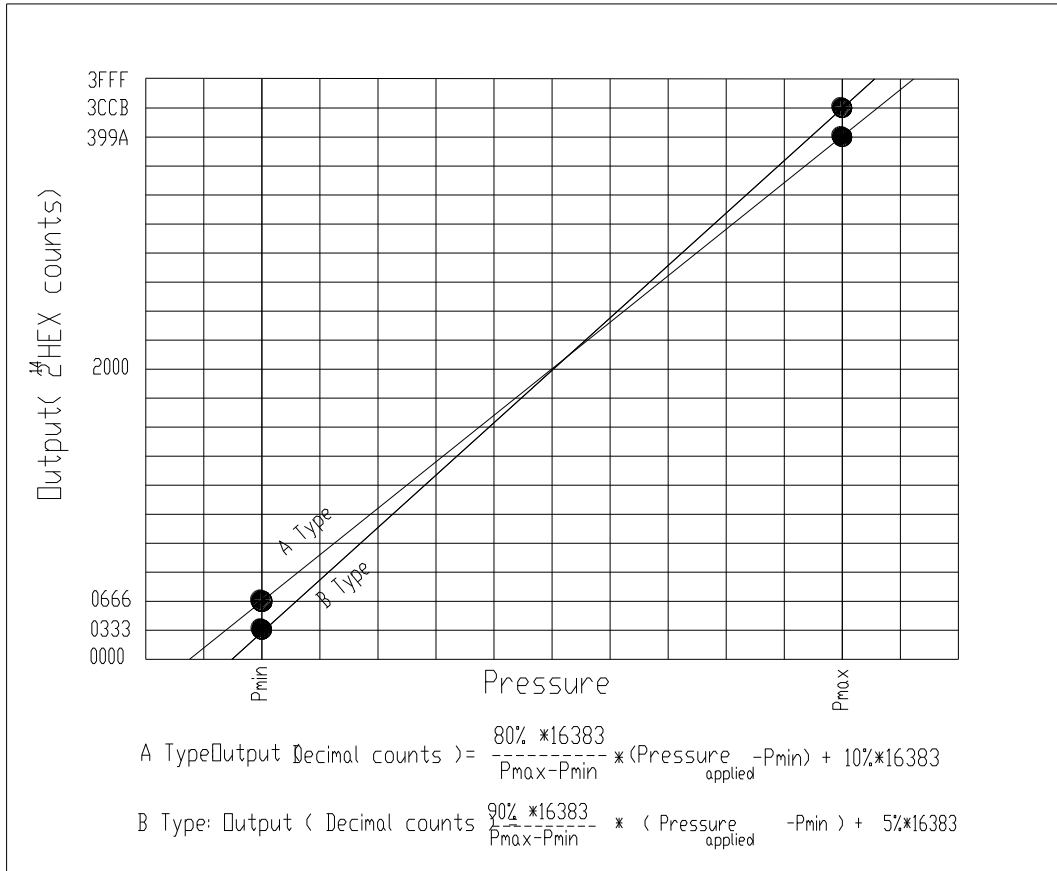


Fig 4

Sensor Output at Significant Percentages

| % Output | Digital Counts (decimal) | Digital Counts (hex) |
|----------|--------------------------|----------------------|
| 0 | 0 | 0 X 0000 |
| 5 | 819 | 0 X 0333 |
| 10 | 1638 | 0 X 0666 |
| 50 | 8192 | 0 X 2000 |
| 90 | 14746 | 0 X 399A |
| 95 | 15563 | 0 X 3CCB |
| 100 | 16383 | 0 X 3FFF |

TEMPERATURE TRANSFER FUNCTIONS

Temperature Transfer Functions

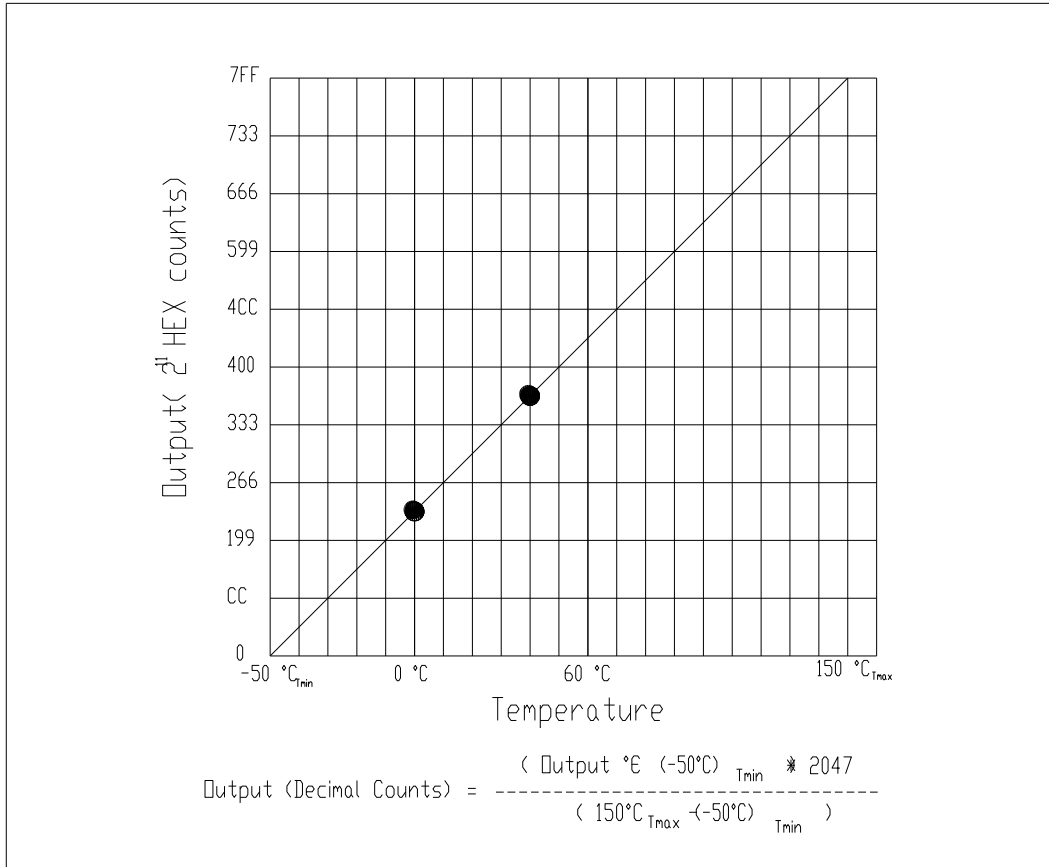


Fig 5

Temperature Output vs Counts

| Output °C | Digital Counts (decimal) | Digital Counts (hex) |
|-----------|--------------------------|----------------------|
| -50 | 0 | 0 X 0000 |
| 0 | 512 | 0 X 0200 |
| 10 | 614 | 0 X 0266 |
| 25 | 767 | 0 X 02FF |
| 40 | 921 | 0 X 0399 |
| 85 | 1381 | 0 X 0565 |
| 150 | 2047 | 0 X 07FF |

ORDERING INFORMATION

| | | | | | | | | |
|-----------------------------|-------------|------------------|------------------------|--------------------------|--------------------------|----------|----------|-----------|
| 86BSD | 100P | G | — | 3 | A | I | C | LT |
| Model Name | | | | | | | | |
| Pressure Range | | | | | | | | |
| See Pressure Range table | | | | | | | | |
| Pressure Type | | | | | | | | |
| A = Absolute | | | G = Gage | | | | | |
| Supply Voltage | | | | | | | | |
| 3 = 3.3V _{DC} | | | 5 = 5.0V _{DC} | | | | | |
| Output | | | | | | | | |
| A = 10 to 90% | | | B = 5 to 95% | | | | | |
| Interface | | | | | | | | |
| I = I2C (Addr. 0x28H) | | | | | | | | |
| J = I2C (Addr 0x36H) | | | S = SPI | | K = I2C (Addr 0x46H) | | | |
| Connection | | | | | | | | |
| P = Pads | | R = Ribbon Cable | | | C = Cable with Connector | | | |
| Power Mode/Vent Tube | | | | | | | | |
| [Blank] = Standard | | | | T = Standard with Tube | | | | |
| L = Low Power without Tube | | | | LT = Low power with Tube | | | | |

| Pressure Range | | |
|----------------|------|-------------------|
| psi | bar | |
| 001P | .07B | Gage only |
| 002P | | |
| 005P | .35B | |
| 015P | 001B | Absolute and Gage |
| 030P | 002B | |
| 050P | 005B | |
| 100P | 007B | |
| 150P | 010B | |
| 200P | 014B | |
| 300P | 020B | |

Note: Intermediate Pressure Ranges Available

NORTH AMERICA

Measurement Specialties, Inc.,
 a TE Connectivity Company
 Tel: 800-522-6752
 Email: customercare.frm@te.com

EUROPE

Measurement Specialties (Europe), Ltd.,
 a TE Connectivity Company
 Tel: 800-440-5100
 Email: customercare.lcsb@te.com

ASIA

Measurement Specialties (China), Ltd.,
 a TE Connectivity Company
 Tel: 0400-820-6015
 Email: customercare.shzn@te.com

TE.com/sensorsolutions

Measurement Specialties, Inc., a TE Connectivity company.

Measurement Specialties, TE Connectivity, TE Connectivity (logo) and EVERY CONNECTION COUNTS are trademarks. All other logos, products and/or company names referred to herein might be trademarks of their respective owners.

The information given herein, including drawings, illustrations and schematics which are intended for illustration purposes only, is believed to be reliable. However, TE Connectivity makes no warranties as to its accuracy or completeness and disclaims any liability in connection with its use. TE Connectivity's obligations shall only be as set forth in TE Connectivity's Standard Terms and Conditions of Sale for this product and in no case will TE Connectivity be liable for any incidental, indirect or consequential damages arising out of the sale, resale, use or misuse of the product. Users of TE Connectivity products should make their own evaluation to determine the suitability of each such product for the specific application.

© 2015 TE Connectivity Ltd. family of companies All Rights Reserved.

X-ON Electronics

Largest Supplier of Electrical and Electronic Components

Click to view similar products for [Board Mount Pressure Sensors](#) category:

Click to view products by [TE Connectivity](#) manufacturer:

Other Similar products are found below :

[6407-249V-17343P](#) [6407-250V-09273P](#) [80527-25.0H2-05](#) [80541-B00000150-01](#) [80541-B00000200-05](#) [80554-00700100-05](#) [80568-00300050-01](#) [93.631.4253.0](#) [93.731.4353.0](#) [93.932.4553.0](#) [136PC150G2](#) [136PC15A1](#) [142PC95AW71](#) [142PC05DW70](#) [15PSI-G-4V](#) [1805-01A-L0N-B](#) [26PCBKT](#) [26PCCFA6D26](#) [26PCCFS2G](#) [26PCCVA6D](#) [93.632.7353.0](#) [93.731.3653.0](#) [93.931.4853.0](#) [93.932.4853.0](#) [SCDA120-XSC05DC](#) [185PC30DH](#) [20INCH-G-MV-MINI](#) [26PCAFJ3G](#) [26PCCEP5G24](#) [26PCDFA3G](#) [26PCJEU5G19](#) [30INCH-D1-MV-MINI](#) [ASCX15AN-90](#) [TSCSAAN001PDUCV](#) [DCAL401DN](#) [DCAL401GN](#) [XZ202798SSC](#) [XZ203676HSC](#) [6407-249V-09343P](#) [6407-250V-17343P](#) [SP370-25-116-0](#) [81794-B00001200-01](#) [HSCDLNN100PGAA5](#) [82681-B00000100-01](#) [81618-B00000040-05](#) [SSCDJNN015PAAA5](#) [TSCDLNN100MDUCV](#) [TSCSAAN100PDUCV](#) [NBPDANN015PGUNV](#) [NBPLLNS150PGUNV](#)