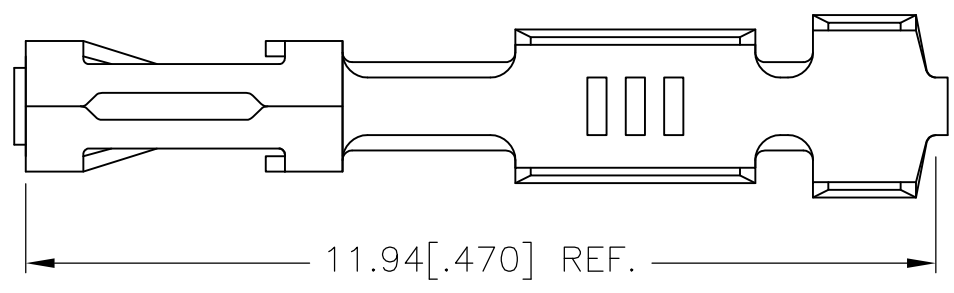
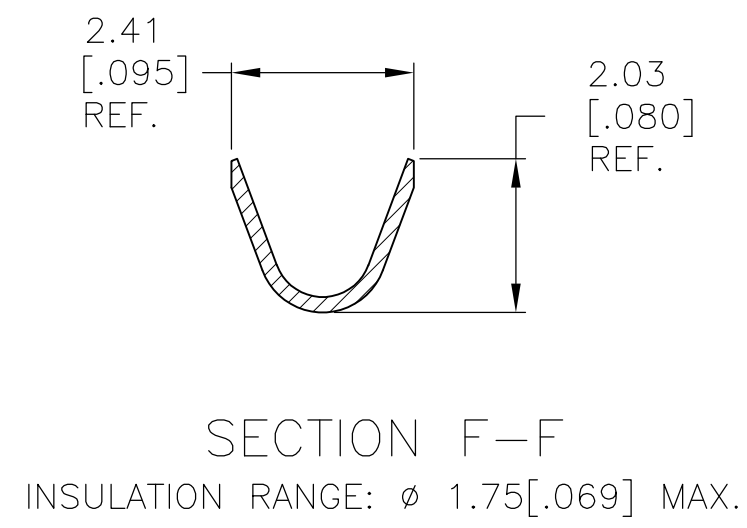
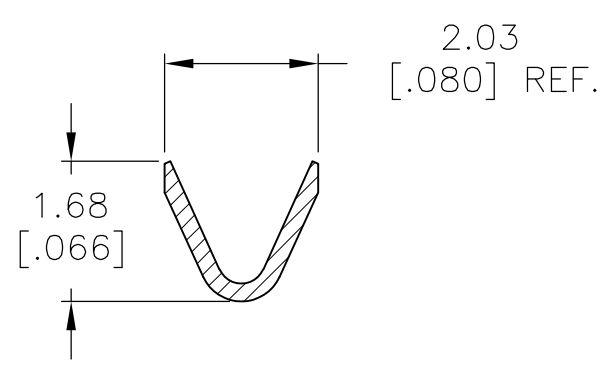
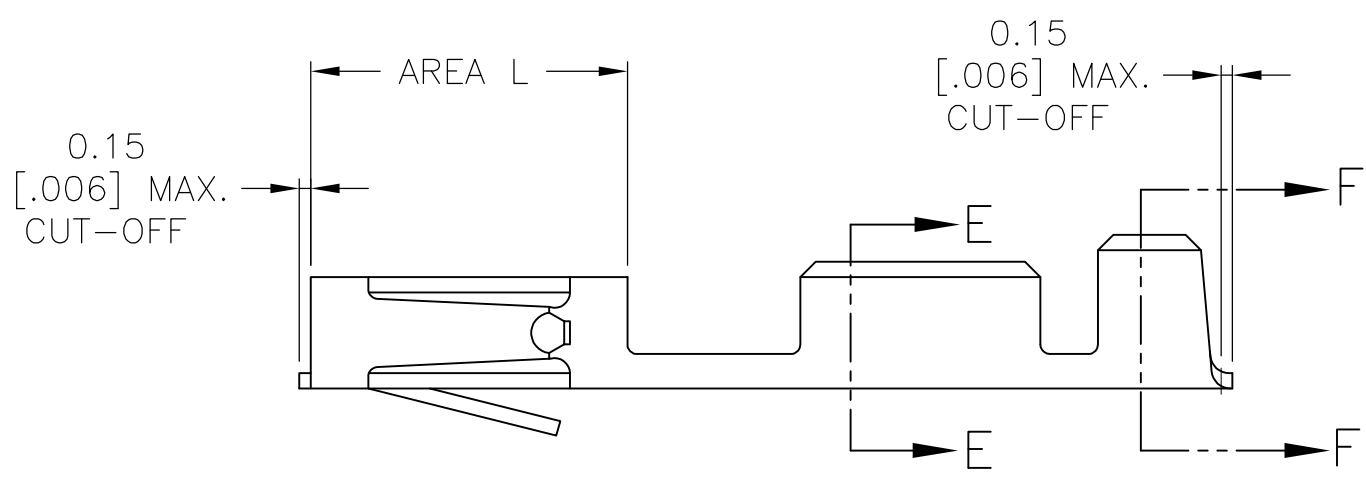


THIS DRAWING IS UNPUBLISHED. RELEASED FOR PUBLICATION  
 © COPYRIGHT - By - ALL RIGHTS RESERVED.

LOC	DIST	REVISIONS					
AD	39	P	LTR	DESCRIPTION	DATE	DWN	APVD
			E	REVISED PER ECO-15-004633	30MAY2015	NK	JO



- 1 GOLD FLASH OVER NICKEL, 0.00038 [.000015] GOLD IN CONTACT AREAS.
- 2 0.00076 [.000030] GOLD OVER 0.00127 [.000050] NICKEL.
- 3 GOLD FLASH OVER NICKEL, 0.00076 [.000030] GOLD IN CONTACT AREA.
- 4 PREPLATED:(HALT) 0.00198 [.000078]-0.00401 [.000158] BRIGHT TIN.
- 5 GOLD FLASH OVER ENTIRE RECPT BOX (AREA L), 0.00076 [.000030] GOLD ON CONTACT AREA, ALL OVER 0.00127 [.000050] NICKEL ENTIRE CONTACT.
- 6 GOLD FLASH OVER ENTIRE CONTACT, 0.00127 [.000050] GOLD ON CONTACT AREA, ALL OVER 0.00127 [.000050] NICKEL.



OBSOLETE	6	87046-6
	5	87046-5
	4	87046-4
	3	87046-3
	2	87046-2
	1	87046-1
	FINISH REF	PART NUMBER

SECTION E-E  
 WIRE RANGE : #20 - #24

THIS DRAWING IS A CONTROLLED DOCUMENT.		DWN E. BRANDBERG 18-JAN-96	<b>STE</b> TE Connectivity	
DIMENSIONS: mm [INCHES]		CHK S. SHUEY 18-JAN-96		
TOLERANCES UNLESS OTHERWISE SPECIFIED:		APVD D. TROUT 18-JAN-96	NAME CONTACT, MOD IV-1/2, CRIMP SNAP-IN, LOOSE PIECE	
0 PLC ± -		PRODUCT SPEC 108-25021	SIZE	
1 PLC ± -		APPLICATION SPEC 114-25003	CAGE CODE A300779	DRAWING NO C-87046
2 PLC ± -		WEIGHT -	RESTRICTED TO -	
3 PLC ± -		CUSTOMER DRAWING	SCALE 10:1	SHEET 1 OF 1
4 PLC ± -			REV E	
ANGLES ± -				
MATERIAL CU-NI-SI	FINISH SEE TABLE			

## X-ON Electronics

Largest Supplier of Electrical and Electronic Components

*Click to view similar products for [Headers & Wire Housings](#) category:*

*Click to view products by [TE Connectivity](#) manufacturer:*

Other Similar products are found below :

[892-18-020-10-001101](#) [58102-G61-06LF](#) [582553-1](#) [0009485154](#) [009176003701906](#) [0050291907](#) [LY20-4P-DT1-P1E-BR](#) [02.125.8002.8](#)  
[609-3404](#) [61062-3](#) [61082-181009](#) [622-3653LF](#) [63453-116](#) [636-1030](#) [636-1427](#) [636-3427](#) [636-4007](#) [641938-9](#) [641991-4](#) [644827-2](#) [65817-](#)  
[010LF](#) [65817-015LF](#) [65863-015LF](#) [66207-023LF](#) [67095-007LF](#) [67601157](#) [68645-018](#) [68648-049](#) [70.362.1628.0](#) [70-4210](#) [70-4226B](#) [70-](#)  
[4853B](#) [707-5020](#) [707-5028](#) [71.350.2428.0](#) [71918-208LF](#) [71961-016LF](#) [733-134](#) [733-162](#) [754199-000](#) [760-3052](#) [79531-3000](#) [FCN-](#)  
[360C032-B](#) [FCN-367T-T012/H](#) [FCN-723D010/2](#) [80.063.4001.1](#) [800-90-001-10-001000](#) [800-90-010-10-002000](#) [801-43-002-10-013000](#)  
[801-43-006-10-002000](#)