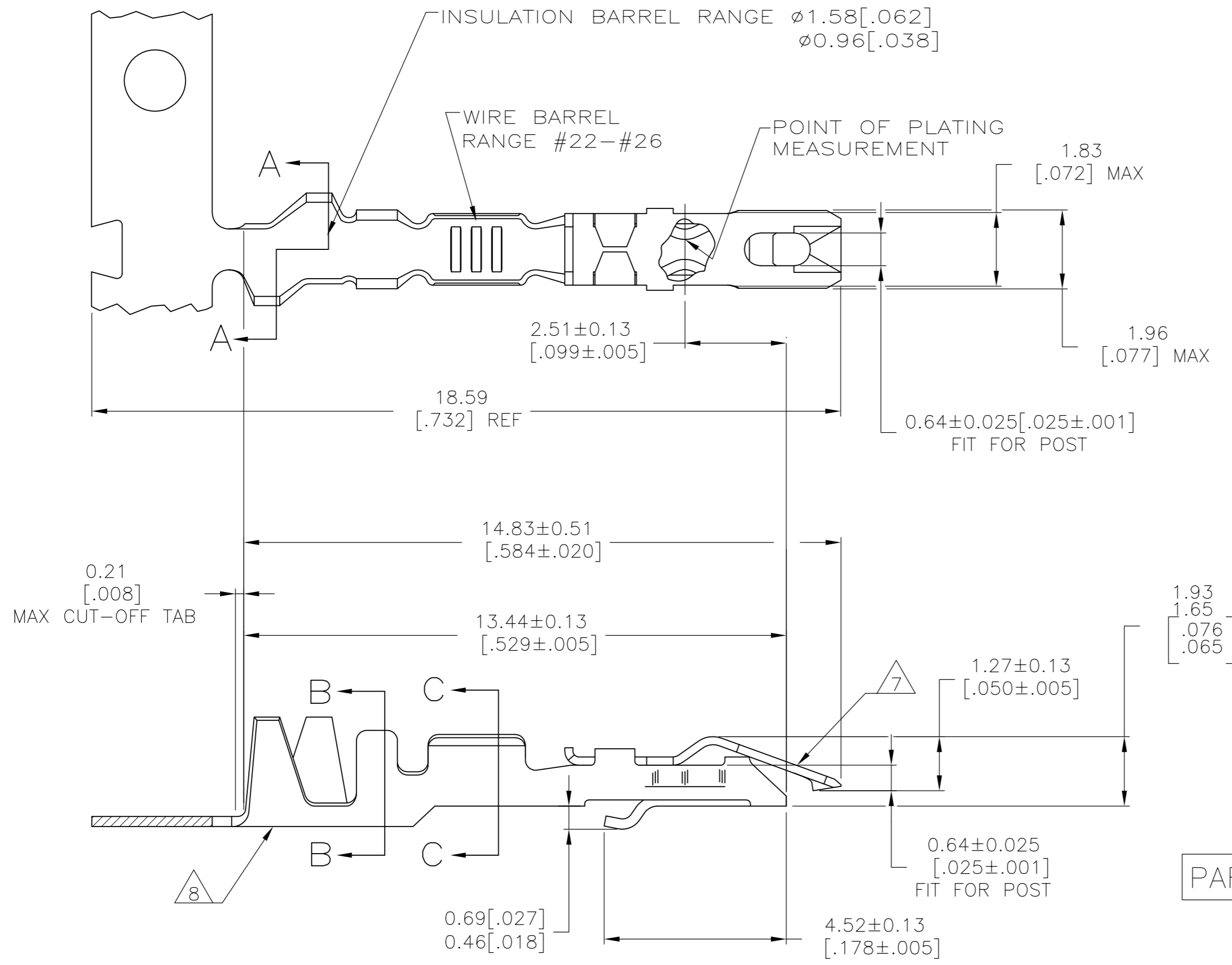


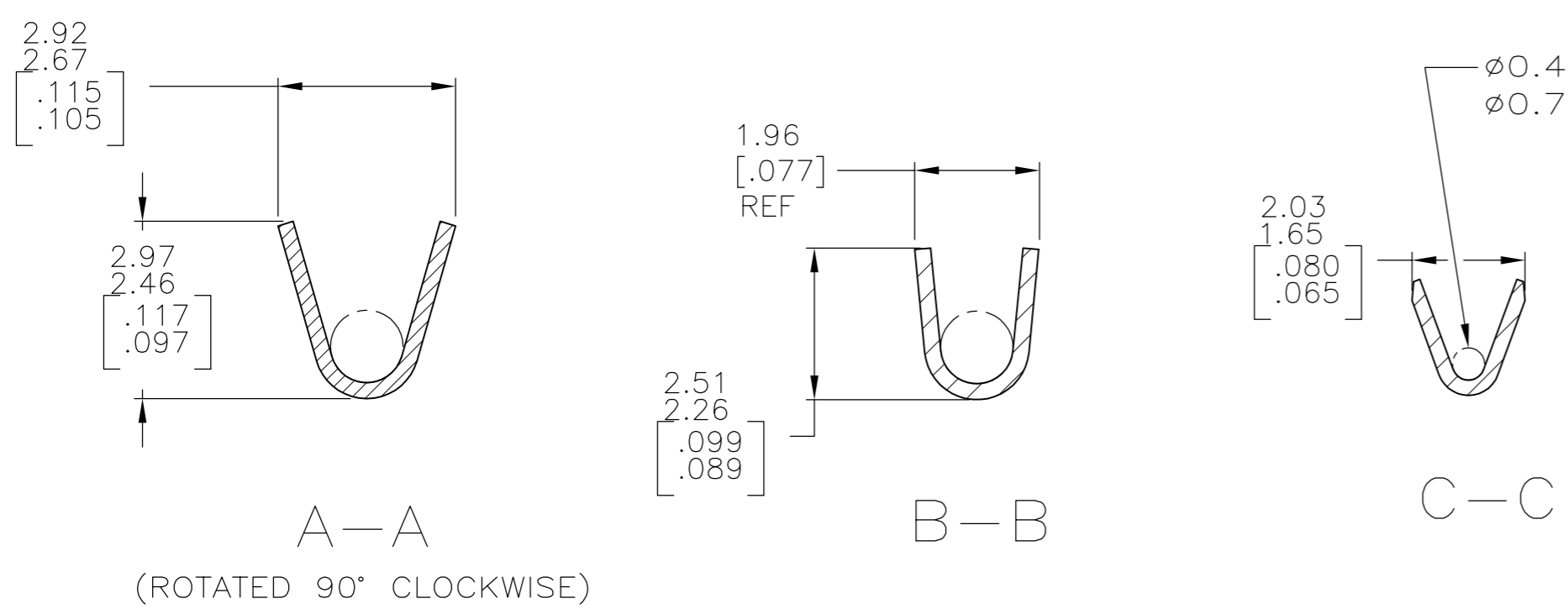
THIS DRAWING IS UNPUBLISHED. RELEASED FOR PUBLICATION  
 © COPYRIGHT - By - ALL RIGHTS RESERVED.

REVISIONS					
P	LTR	DESCRIPTION	DATE	DWN	APVD
S1		REVISED PER ECO-11-004820	11MAR11	RK	HMR
S2		REVISED PER ECO-16-006924	28APR2017	RS	JO



- 1 REELED FOR MINI-APPLICATOR.
- 2 REELED FOR STRIPPER CRIMPER.
- 3 PLATED WITH 0.00076[.00030] GOLD IN CONTACT AREA, GOLD FLASH ON REMAINDER, OVER 0.00127[.000050] NICKEL.
- 4 PLATED WITH 0.00127[.000050] GOLD IN CONTACT AREA, GOLD FLASH ON REMAINDER, OVER 0.00127[.000050] NICKEL.
- 5 PLATED WITH 0.00254[.000100] TIN-LEAD OVER 0.00127[.000050] NICKEL - ENTIRE CONTACT.
- 6 PLATED WITH 0.00127[.000050] GOLD OVER 0.00127[.000050] NICKEL - ENTIRE CONTACT.
- 7 SPRING MATERIAL: STAINLESS STEEL.
- 8 BODY MATERIAL: PHOS BRONZE - FINISH: SEE TABLE.
- 9 PLATED WITH .000100 TIN OVER .000050 NICKEL OVER ENTIRE CONTACT.

PART NUMBER 1-87124-2 SUPERCEDED BY 5-87124-2



Ø0.46[.018] MUST BOTTOM IN WIRE BARREL  
 Ø0.79[.031] MUST NOT BOTTOM IN WIRE BARREL.

OBsolete  
 OBsolete

1	3	9-87165-1	9-87124-1
1	9	5-87165-2	5-87124-2
1	9	-	1-87124-2
2	3	87165-1	1-87124-1
-	6	87165-4	87124-4
1	4	87165-3	87124-3
1	5	87165-2	87124-2
1	3	87165-1	87124-1
REMARKS	BODY FINISH	PART NO (LOOSE PIECE)	PART NUMBER (STRIP)

DIMENSIONS:		TOLERANCES UNLESS OTHERWISE SPECIFIED:		DWN		E. BRANDBERG		23SEP94	
mm	[INCHES]	0 PLC	± -	CHK	S. SHUEY	23SEP94			
		1 PLC	± -	APVD	D. DUPLER	23SEP94			
		2 PLC	± -	PRODUCT SPEC					
		3 PLC	± -	APPLICATION SPEC					
		4 PLC	± -	WEIGHT	-				
		ANGLES	± -	CUSTOMER DRAWING					
MATERIAL	SEE CALLOUT	FINISH	SEE TABLE	SCALE	A2 00779		DRAWING NO	C=87124	
				RESTRICTED TO	-				
				SCALE	10:1		SHEET	1 of 1	
				REV	S2				

## X-ON Electronics

Largest Supplier of Electrical and Electronic Components

*Click to view similar products for [Headers & Wire Housings](#) category:*

*Click to view products by [TE Connectivity](#) manufacturer:*

Other Similar products are found below :

[892-18-020-10-001101](#) [58102-G61-06LF](#) [582553-1](#) [0009485154](#) [009176003701906](#) [0050291907](#) [LY20-4P-DT1-P1E-BR](#) [02.125.8002.8](#)  
[609-3404](#) [61062-3](#) [61082-181009](#) [622-3653LF](#) [63453-116](#) [636-1030](#) [636-1427](#) [636-3427](#) [636-4007](#) [641938-9](#) [641991-4](#) [644827-2](#) [65817-](#)  
[010LF](#) [65817-015LF](#) [65863-015LF](#) [66207-023LF](#) [67095-007LF](#) [67601157](#) [68645-018](#) [68648-049](#) [70.362.1628.0](#) [70-4210](#) [70-4226B](#) [70-](#)  
[4853B](#) [707-5020](#) [707-5028](#) [71.350.2428.0](#) [71918-208LF](#) [71961-016LF](#) [733-134](#) [733-162](#) [754199-000](#) [760-3052](#) [79531-3000](#) [FCN-](#)  
[360C032-B](#) [FCN-367T-T012/H](#) [FCN-723D010/2](#) [80.063.4001.1](#) [800-90-001-10-001000](#) [800-90-010-10-002000](#) [801-43-002-10-013000](#)  
[801-43-006-10-002000](#)