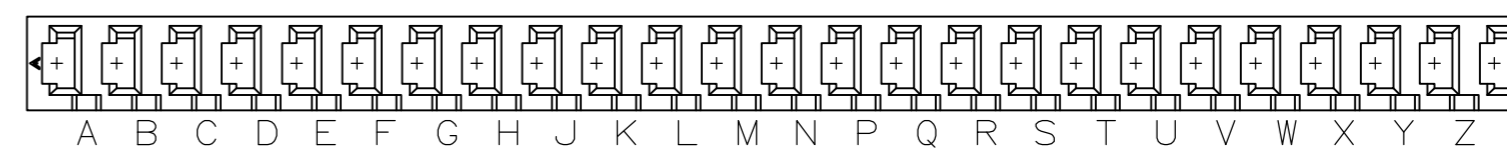
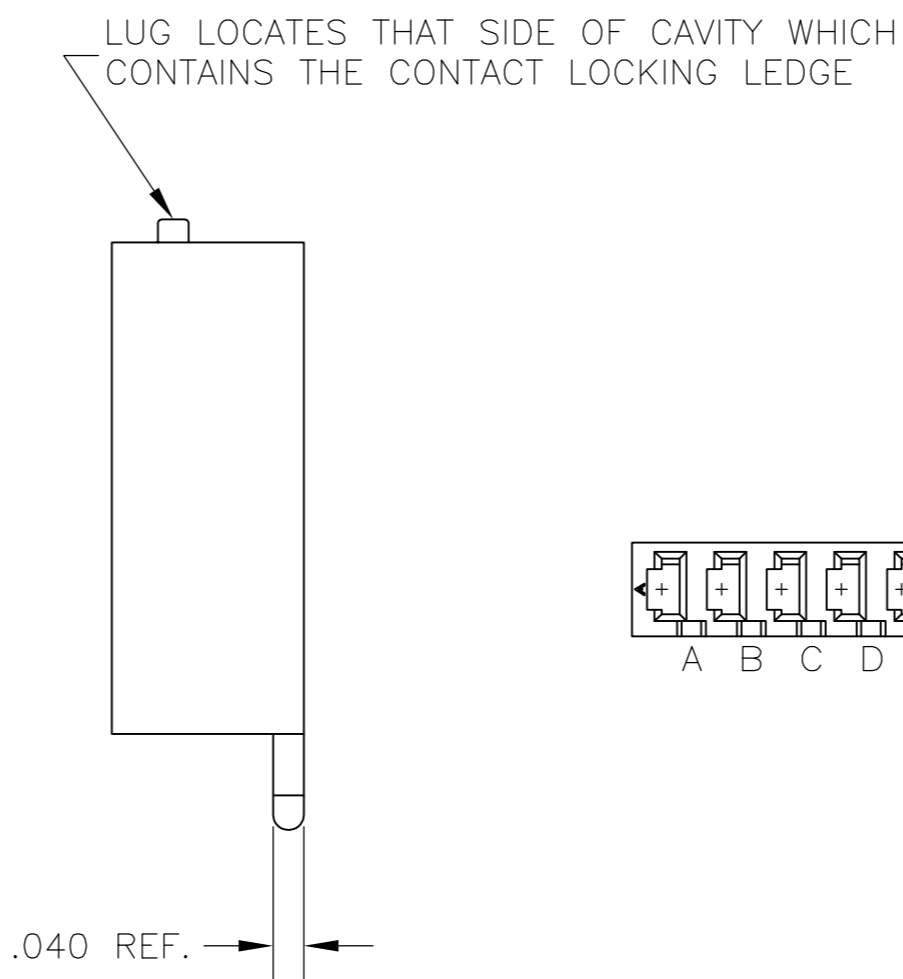
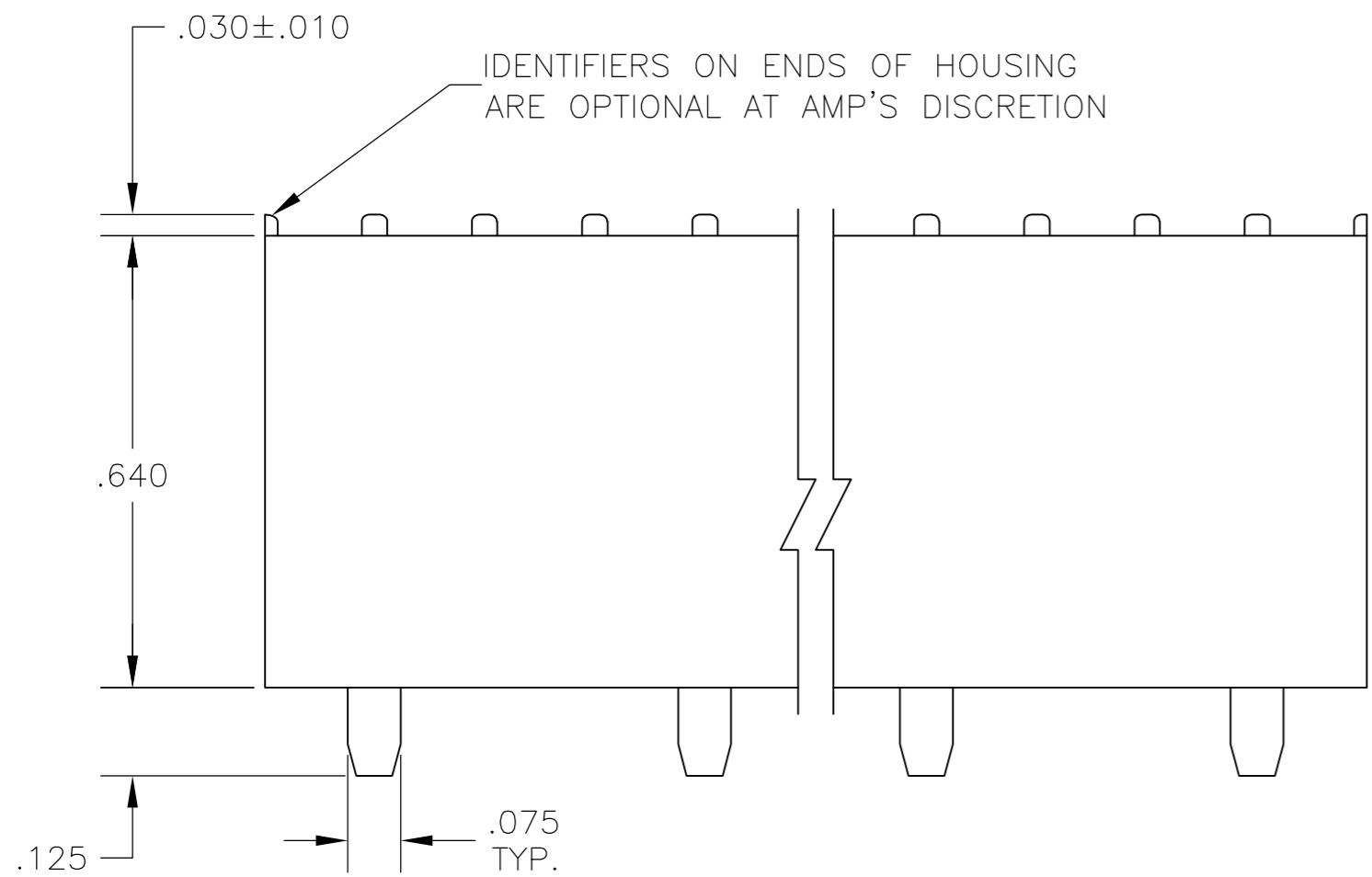
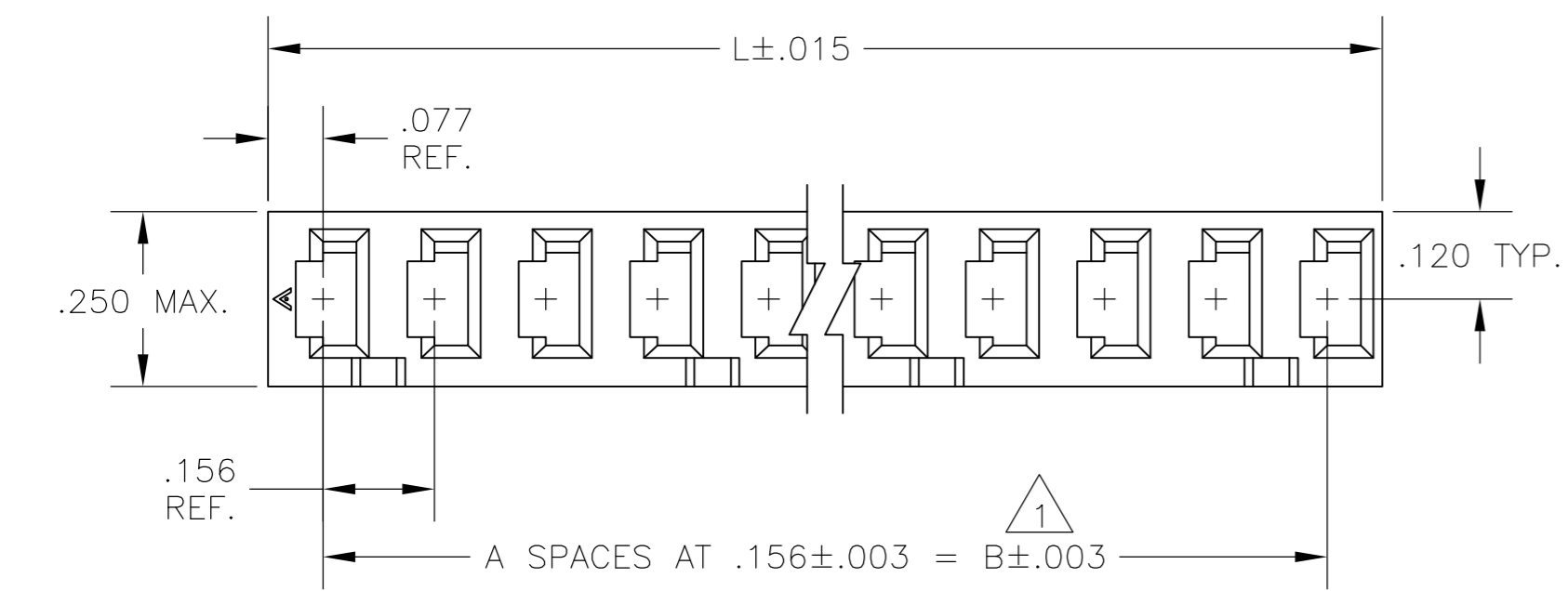


THIS DRAWING IS UNPUBLISHED. RELEASED FOR PUBLICATION
 © COPYRIGHT - By - ALL RIGHTS RESERVED.

| LOC | | DIST | | REVISIONS | | | |
|-----|-----|-------------|---------------------------|-----------|---------|------|-----|
| P | LTR | DESCRIPTION | | DATE | DWN | APVD | |
| AD | 39 | K2 | REVISED PER ECO-11-004820 | | 11MAR11 | RK | HMR |



KEY LOCATIONS (REF ONLY)



| | | | | | | | | |
|---|----------|-------------------------|---------------|-------|----|----|------------|------------|
| 2 | OBSOLETE | A,C,E,H,K,M,Q,S,U,W,Y | 3.900 | 3.744 | 24 | 11 | 25 | -2=87159-4 |
| | OBSOLETE | A,C,E,G,J,L,N,Q,S,U,W,Y | 3.744 | 3.588 | 23 | 12 | 24 | 2- -3 |
| | OBSOLETE | A,D,G,K,N,R,U,X | 3.588 | 3.432 | 22 | 8 | 23 | 2- -2 |
| | OBSOLETE | A,C,E,G,J,L,N,Q,S,U,W | 3.432 | 3.276 | 21 | 11 | 22 | 2- -1 |
| | OBSOLETE | A,D,G,K,N,R,U | 3.276 | 3.120 | 20 | 7 | 21 | 2- -0 |
| 2 | OBSOLETE | A,C,E,G,J,L,N,Q,S,U | 3.120 | 2.964 | 19 | 10 | 20 | 1- -9 |
| | OBSOLETE | B,D,F,J,L,N,Q,S | 2.964 | 2.808 | 18 | 8 | 19 | 1- -8 |
| | OBSOLETE | A,D,F,J,P,S | 2.808 | 2.652 | 17 | 6 | 18 | 1- -7 |
| | OBSOLETE | A,D,G,K,N,R | 2.652 | 2.496 | 16 | 6 | 17 | 1- -6 |
| | OBSOLETE | A,C,E,G,J,L,N,Q | 2.496 | 2.340 | 15 | 8 | 16 | 1- -5 |
| | OBSOLETE | A,D,G,K,N | 2.340 | 2.184 | 14 | 5 | 15 | 1- -4 |
| | OBSOLETE | A,C,E,G,J,L,N | 2.184 | 2.028 | 13 | 7 | 14 | 1- -3 |
| | OBSOLETE | A,C,E,G,J,L | 1.872 | 1.716 | 11 | 6 | 12 | 1- -2 |
| | OBSOLETE | A,D,G,K | 1.716 | 1.560 | 10 | 4 | 11 | 1- -1 |
| | OBSOLETE | A,C,E,G,J | 1.560 | 1.404 | 9 | 5 | 10 | 1- -0 |
| 2 | OBSOLETE | A,D,G | 1.404 | 1.248 | 8 | 3 | 9 | -9 |
| | OBSOLETE | A,C,E,G | 1.248 | 1.092 | 7 | 4 | 8 | -8 |
| | OBSOLETE | A,C,E | 1.092 | .936 | 6 | 3 | 7 | -7 |
| | OBSOLETE | A,C,E | .936 | .780 | 5 | 3 | 6 | -6 |
| | OBSOLETE | A,C | .624 | .468 | 3 | 2 | 4 | -5 |
| | OBSOLETE | A | .468 | .312 | 2 | 1 | 3 | -4 |
| | OBSOLETE | A | .312 | .156 | 1 | 1 | 2 | -3 |
| | OBSOLETE | A,D,J,M, | 2.028 | 1.872 | 12 | 4 | 13 | -2 |
| | OBSOLETE | A,D | .780 | .624 | 4 | 2 | 5 | 87159-1 |
| | | | KEY LOCATIONS | L | B | A | NO OF KEYS | NO OF POS |

- 1 TOLERANCE NON CUMULATIVE
- 2 OBSOLETE PARTS: OBSOLETE CIS STREAMLINING PER D.RENAUD/D.SINISI

| | | | | |
|--|--|----------------------------|---|-----------------|
| THIS DRAWING IS A CONTROLLED DOCUMENT. | | DWN S. SHUEY 8-7-93 | | |
| DIMENSIONS: INCHES | | CHK S. SHUEY 8-7-93 | | |
| TOLERANCES UNLESS OTHERWISE SPECIFIED: | | APVD S. SHUEY 8-7-93 | | |
| 0 PLC ± - 1 PLC ± - 2 PLC ± - 3 PLC ± .005 4 PLC ± - ANGLES ± - FINISH - | | NAME S. SHUEY | | |
| MATERIAL FLAME RETARDANT THERMOPLASTIC COLOR-BLACK | | PRODUCT SPEC 108-25016 | HOUSING, MOD I, .156 CL. SINGLE ROW, CRIMP SNAP IN, KEYED | |
| | | APPLICATION SPEC 114-25000 | SIZE A2 | CAGE CODE 00779 |
| | | WEIGHT - | DRAWING NO C=87159 | RESTRICTED TO - |
| | | CUSTOMER DRAWING | SCALE 4:1 | SHEET 1 OF 1 |
| | | | REV K2 | |

X-ON Electronics

Largest Supplier of Electrical and Electronic Components

Click to view similar products for [Headers & Wire Housings](#) category:

Click to view products by [TE Connectivity](#) manufacturer:

Other Similar products are found below :

[892-18-020-10-001101](#) [58102-G61-06LF](#) [582553-1](#) [0009485154](#) [009176003701906](#) [0050291907](#) [LY20-4P-DT1-P1E-BR](#) [02.125.8002.8](#)
[609-3404](#) [61062-3](#) [61082-181009](#) [622-3653LF](#) [63453-116](#) [636-1030](#) [636-1427](#) [636-3427](#) [636-4007](#) [641938-9](#) [641991-4](#) [644827-2](#) [65817-010LF](#) [65817-015LF](#) [65863-015LF](#) [66207-023LF](#) [67095-007LF](#) [67601157](#) [68645-018](#) [68648-049](#) [70.362.1628.0](#) [70-4210](#) [70-4226B](#) [70-4853B](#) [707-5020](#) [707-5028](#) [71.350.2428.0](#) [71918-208LF](#) [71961-016LF](#) [733-134](#) [733-162](#) [754199-000](#) [760-3052](#) [787-8014-00](#) [79531-3000](#)
[FCN-360C032-B](#) [FCN-367T-T012/H](#) [FCN-723D010/2](#) [80.063.4001.1](#) [800-90-001-10-001000](#) [800-90-010-10-002000](#) [801-43-002-10-013000](#)