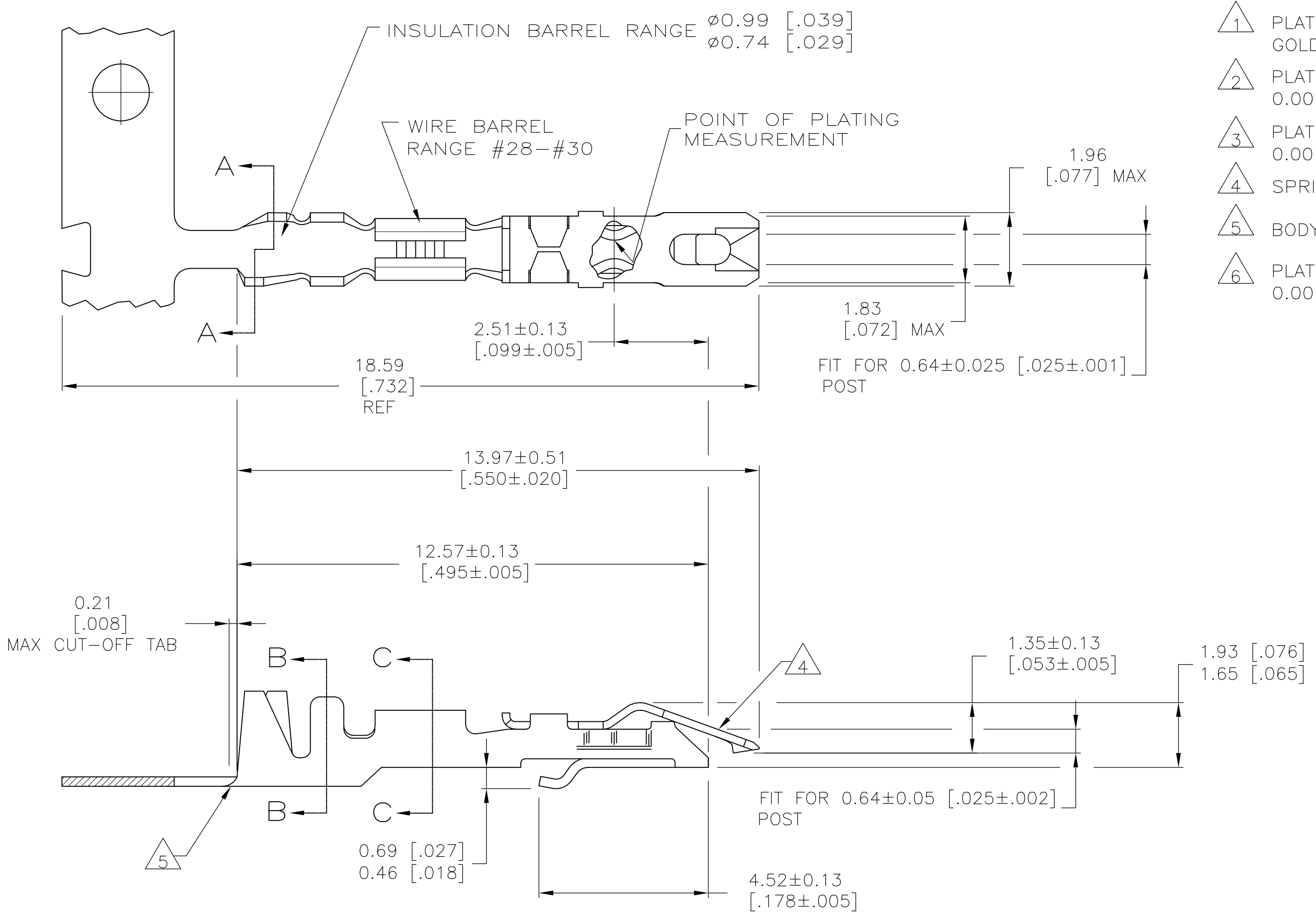
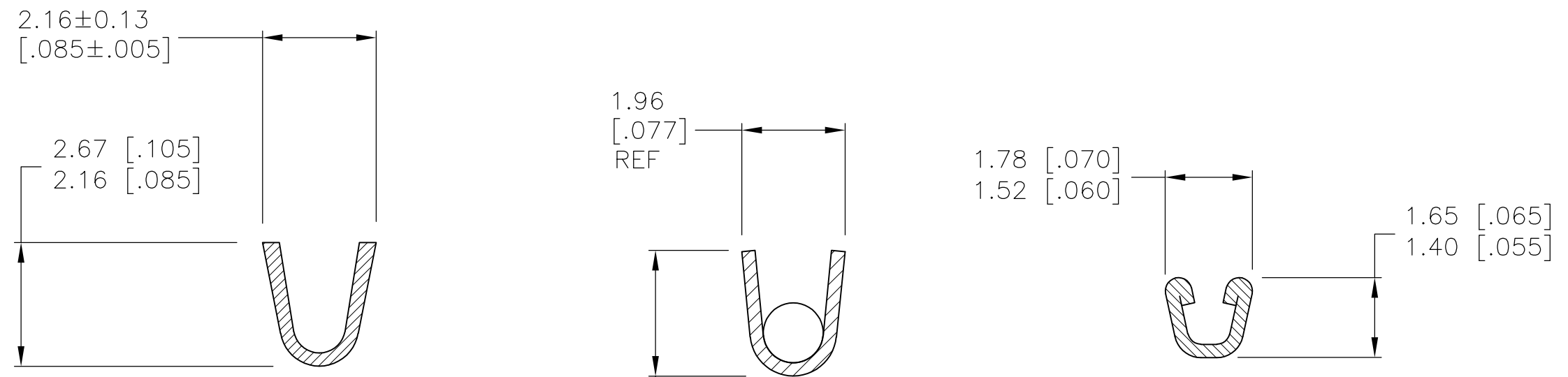


THIS DRAWING IS UNPUBLISHED. RELEASED FOR PUBLICATION
 © COPYRIGHT BY TYCO ELECTRONICS CORPORATION. ALL RIGHTS RESERVED.

LOC	DIST	REVISIONS			
P	LTR	DESCRIPTION	DATE	DWN	APVD
AD	00	P			
		P	ECO-07-017237	24JUL07	MB NE



- 1 PLATED WITH 0.00076[.000030] GOLD IN CONTACT AREA, GOLD FLASH ON REMAINDER, OVER 0.00127[.000050] NICKEL.
- 2 PLATED WITH 0.00254[.000100] TIN-LEAD OVER 0.00127[.000050] NICKEL - ENTIRE CONTACT.
- 3 PLATED WITH 0.00127[.000050] GOLD OVER 0.00127[.000050] NICKEL - ENTIRE CONTACT.
- 4 SPRING MATERIAL: STAINLESS STEEL.
- 5 BODY MATERIAL: PHOS BRONZE - FINISH: SEE TABLE.
- 6 PLATED WITH 0.00254 [.000100] TIN OVER 0.00127 [.000050] NICKEL - ENTIRE CONTACT.



OBSOLETE	6	5-87191-2	5-87190-2
	3	87191-3	87190-3
	2	87191-2	87190-2
	1	87191-1	87190-1
BODY FINISH		PART NO (LOOSE PIECE)	PART NUMBER (STRIP)

THIS DRAWING IS A CONTROLLED DOCUMENT.

DIMENSIONS: mm [INCHES]	TOLERANCES UNLESS OTHERWISE SPECIFIED: 0 PLC ± - 1 PLC ± - 2 PLC ± - 3 PLC ± - 4 PLC ± - ANGLES ± - FINISH SEE TABLE	DWN E. BRANDBERG CHK S. SHUEY APVD D. DUPLER	05APR2005 Tyco Electronics Corporation Harrisburg, Pa 17105-3608
MATERIAL SEE CALLOUT	FINISH SEE TABLE	NAME D. DUPLER PRODUCT SPEC 108-36028 APPLICATION SPEC 114-25006	CONTACT - LOCKING CLIP FOR 0.64[.025] SQUARE POST
CUSTOMER DRAWING		SCALE 10:1	RESTRICTED TO -

SIZE: A2 CAGE CODE: 00779 DRAWING NO: 87190 SHEET 1 OF 1 REV P

X-ON Electronics

Largest Supplier of Electrical and Electronic Components

Click to view similar products for [Headers & Wire Housings](#) category:

Click to view products by [TE Connectivity](#) manufacturer:

Other Similar products are found below :

[892-18-020-10-001101](#) [58102-G61-06LF](#) [582553-1](#) [0009485154](#) [009176003701906](#) [0050291907](#) [LY20-4P-DT1-P1E-BR](#) [02.125.8002.8](#)
[609-3404](#) [61062-3](#) [61082-181009](#) [622-3653LF](#) [63453-116](#) [636-1030](#) [636-1427](#) [636-3427](#) [636-4007](#) [641938-9](#) [641991-4](#) [644827-2](#) [65817-](#)
[010LF](#) [65817-015LF](#) [65863-015LF](#) [66207-023LF](#) [67095-007LF](#) [67601157](#) [68645-018](#) [68648-049](#) [70.362.1628.0](#) [70-4210](#) [70-4226B](#) [70-](#)
[4853B](#) [707-5020](#) [707-5028](#) [71.350.2428.0](#) [71918-208LF](#) [71961-016LF](#) [733-134](#) [733-162](#) [754199-000](#) [760-3052](#) [79531-3000](#) [FCN-](#)
[360C032-B](#) [FCN-367T-T012/H](#) [FCN-723D010/2](#) [80.063.4001.1](#) [800-90-010-10-002000](#) [801-43-002-10-013000](#) [801-43-006-10-002000](#)
[801-93-011-10-001000](#)