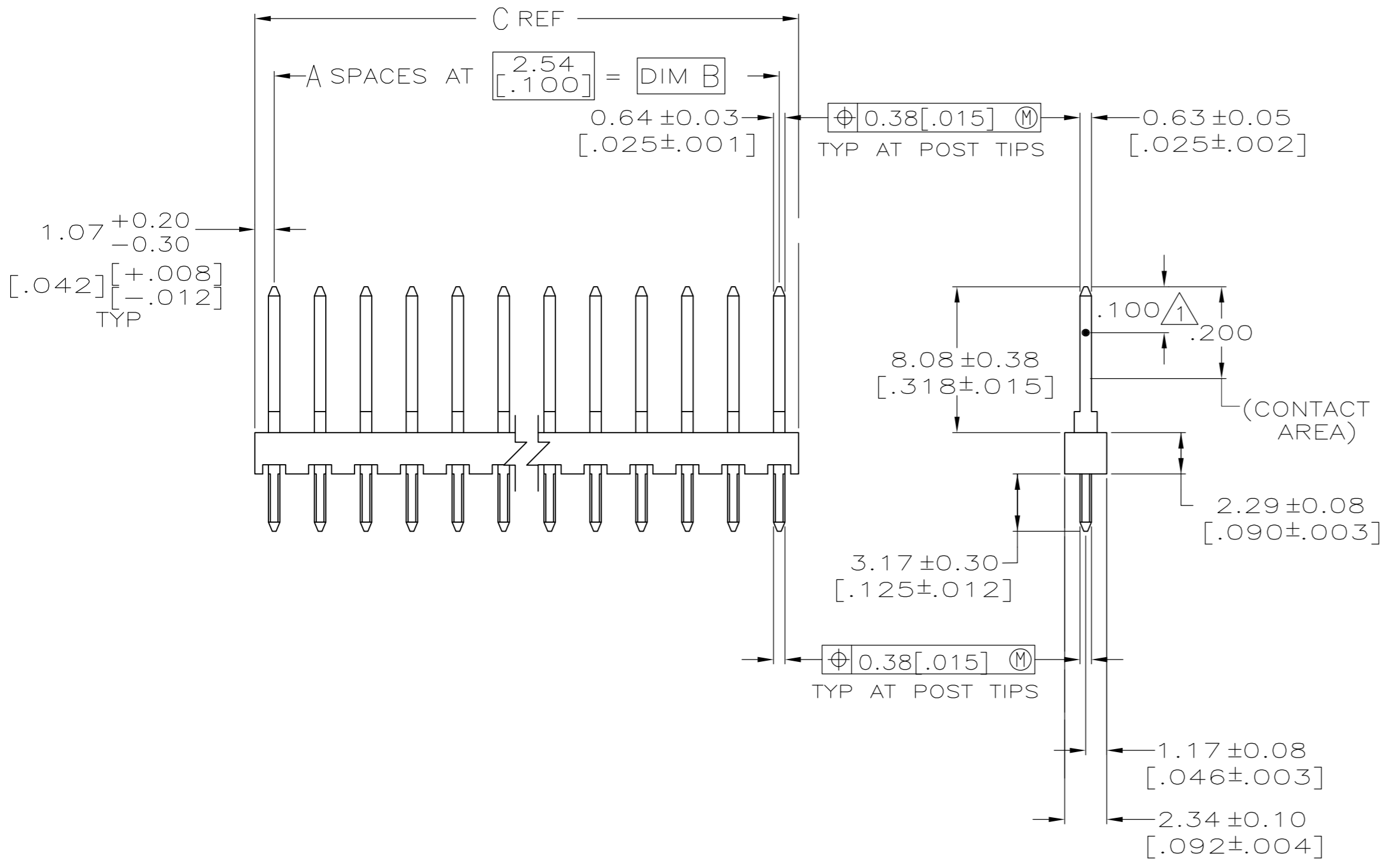


THIS DRAWING IS UNPUBLISHED. RELEASED FOR PUBLICATION  
 © COPYRIGHT - By - ALL RIGHTS RESERVED.

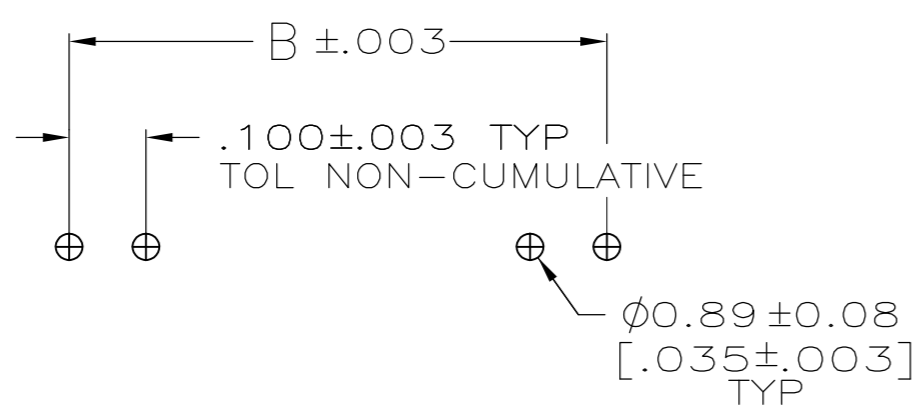
LOC		DIST		REVISIONS			
P	LTR	DESCRIPTION	DATE	DWN	APVD		
AD	39	L	PLASTIC MATERIAL SUPPLIER CHANGED FOR HOUSING	07MAY2021	SB	KJK	



101.19 [3.984]	99.06 [3.900]	39	40	4-87220-0
98.65 [3.884]	96.52 [3.800]	38	39	3-87220-9
96.11 [3.784]	93.98 [3.700]	37	38	3-87220-8
93.57 [3.684]	91.44 [3.600]	36	37	3-87220-7
91.03 [3.584]	88.90 [3.500]	35	36	3-87220-6
88.49 [3.484]	86.36 [3.400]	34	35	3-87220-5
85.95 [3.384]	83.82 [3.300]	33	34	3-87220-4
83.41 [3.284]	81.28 [3.200]	32	33	3-87220-3
80.87 [3.184]	78.74 [3.100]	31	32	3-87220-2
78.33 [3.084]	76.20 [3.000]	30	31	3-87220-1
75.79 [2.984]	73.66 [2.900]	29	30	3-87220-0
73.25 [2.884]	71.12 [2.800]	28	29	2-87220-9
70.71 [2.784]	68.58 [2.700]	27	28	2-87220-8
68.17 [2.684]	66.04 [2.600]	26	27	2-87220-7
65.63 [2.584]	63.50 [2.500]	25	26	2-87220-6
63.09 [2.484]	58.42 [2.300]	24	25	2-87220-5
60.55 [2.384]	60.96 [2.400]	23	24	2-87220-4
58.01 [2.284]	55.88 [2.200]	22	23	2-87220-3
55.47 [2.184]	53.34 [2.100]	21	22	2-87220-2
52.93 [2.084]	50.80 [2.000]	20	21	2-87220-1
50.39 [1.984]	48.26 [1.900]	19	20	2-87220-0
47.85 [1.884]	45.72 [1.800]	18	19	1-87220-9
45.31 [1.784]	43.18 [1.700]	17	18	1-87220-8
42.77 [1.684]	40.64 [1.600]	16	17	1-87220-7
40.23 [1.584]	38.10 [1.500]	15	16	1-87220-6
37.69 [1.484]	35.56 [1.400]	14	15	1-87220-5
35.15 [1.384]	33.02 [1.300]	13	14	1-87220-4
32.61 [1.284]	30.48 [1.200]	12	13	1-87220-3
30.07 [1.184]	27.94 [1.100]	11	12	1-87220-2
27.53 [1.084]	25.40 [1.000]	10	11	1-87220-1
24.99 [.984]	22.86 [.900]	9	10	1-87220-0
22.45 [.884]	20.32 [.800]	8	9	87220-9
19.91 [.784]	17.78 [.700]	7	8	87220-8
17.37 [.684]	15.24 [.600]	6	7	87220-7
14.83 [.584]	12.70 [.500]	5	6	87220-6
12.29 [.484]	10.16 [.400]	4	5	87220-5
9.75 [.384]	7.62 [.300]	3	4	87220-4
7.21 [.284]	5.08 [.200]	2	3	87220-3
4.67 [.184]	2.54 [.100]	1	2	87220-2
2.13 [.084]	-	-	1	87220-1
C	B	A	NO OF POSN	PART NUMBER

NOTES:

- 1. POINT OF MEASUREMENT FOR PLATING THICKNESS
- 2. TRUE POSITION TOLERANCE OF POST TIPS APPLIES WHEN THE HEADERS ARE HELD FLAT AGAINST THE PRINTED CIRCUIT BOARD
- 3. 0.00076[.000030] GOLD ON CONTACT AREA, GOLD FLASH ON SOLDER AREA, ALL OVER 0.00127[.000050] NICKEL
- 4. MATERIAL:  
 HOUSING: FLAME RETARDANT THERMOPLASTIC, COLOR-BLACK.  
 POSTS: PHOS BRONZE.



RECOMMENDED HOLE LAYOUT

THIS DRAWING IS A CONTROLLED DOCUMENT.

DIMENSIONS: mm [INCHES]	TOLERANCES UNLESS OTHERWISE SPECIFIED:	DWN E. BRANDBERG 26-AUG-97	 TE Connectivity
	0 PLC ± -	CHK S. SHUEY 26-AUG-97	
	1 PLC ± -	APVD S. SHUEY 26-AUG-97	
	2 PLC ± -	PRODUCT SPEC	
MATERIAL	FINISH	WEIGHT	NAME: ASSEMBLY, MOD II, HEADER, SINGLE ROW, 2.54[.100]C/L VERTICAL, 0.64[0.025] SQ POSTS SIZE: A2 CAGE CODE: 00779 DRAWING NO: C=87220 SCALE: 4:1 SHEET: 1 OF 1 REV: L

CUSTOMER DRAWING

## X-ON Electronics

Largest Supplier of Electrical and Electronic Components

*Click to view similar products for [Headers & Wire Housings](#) category:*

*Click to view products by [TE Connectivity](#) manufacturer:*

Other Similar products are found below :

[892-18-020-10-001101](#) [58102-G61-06LF](#) [582553-1](#) [0009485154](#) [009176003701906](#) [0050291907](#) [LY20-4P-DT1-P1E-BR](#) [02.125.8002.8](#)  
[609-3404](#) [61062-3](#) [61082-181009](#) [622-3653LF](#) [63453-116](#) [636-1030](#) [636-1427](#) [636-3427](#) [636-4007](#) [641938-9](#) [641991-4](#) [644827-2](#) [65817-](#)  
[010LF](#) [65817-015LF](#) [65863-015LF](#) [66207-023LF](#) [67095-007LF](#) [67601157](#) [68645-018](#) [68648-049](#) [70.362.1628.0](#) [70-4210](#) [70-4226B](#) [70-](#)  
[4853B](#) [707-5020](#) [707-5028](#) [71.350.2428.0](#) [71918-208LF](#) [71961-016LF](#) [733-134](#) [733-162](#) [754199-000](#) [760-3052](#) [787-8014-00](#) [79531-3000](#)  
[FCN-360C032-B](#) [FCN-367T-T012/H](#) [FCN-723D010/2](#) [80.063.4001.1](#) [800-90-001-10-001000](#) [800-90-010-10-002000](#) [801-43-002-10-013000](#)