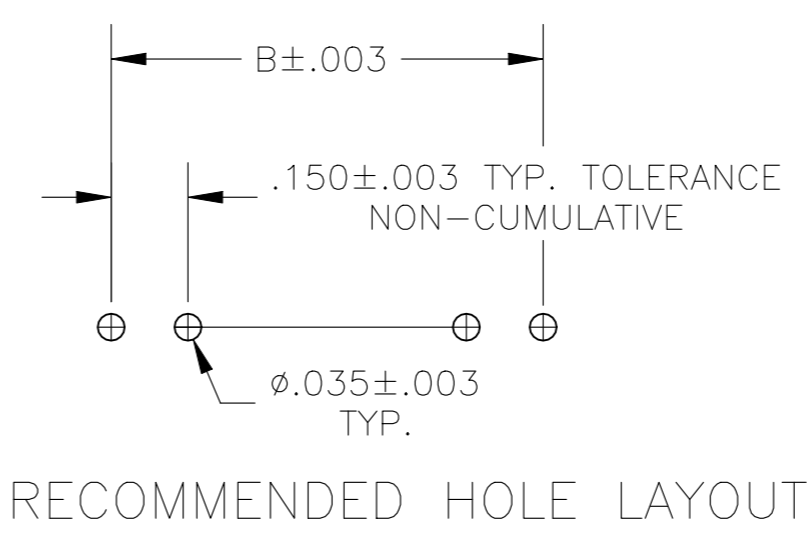
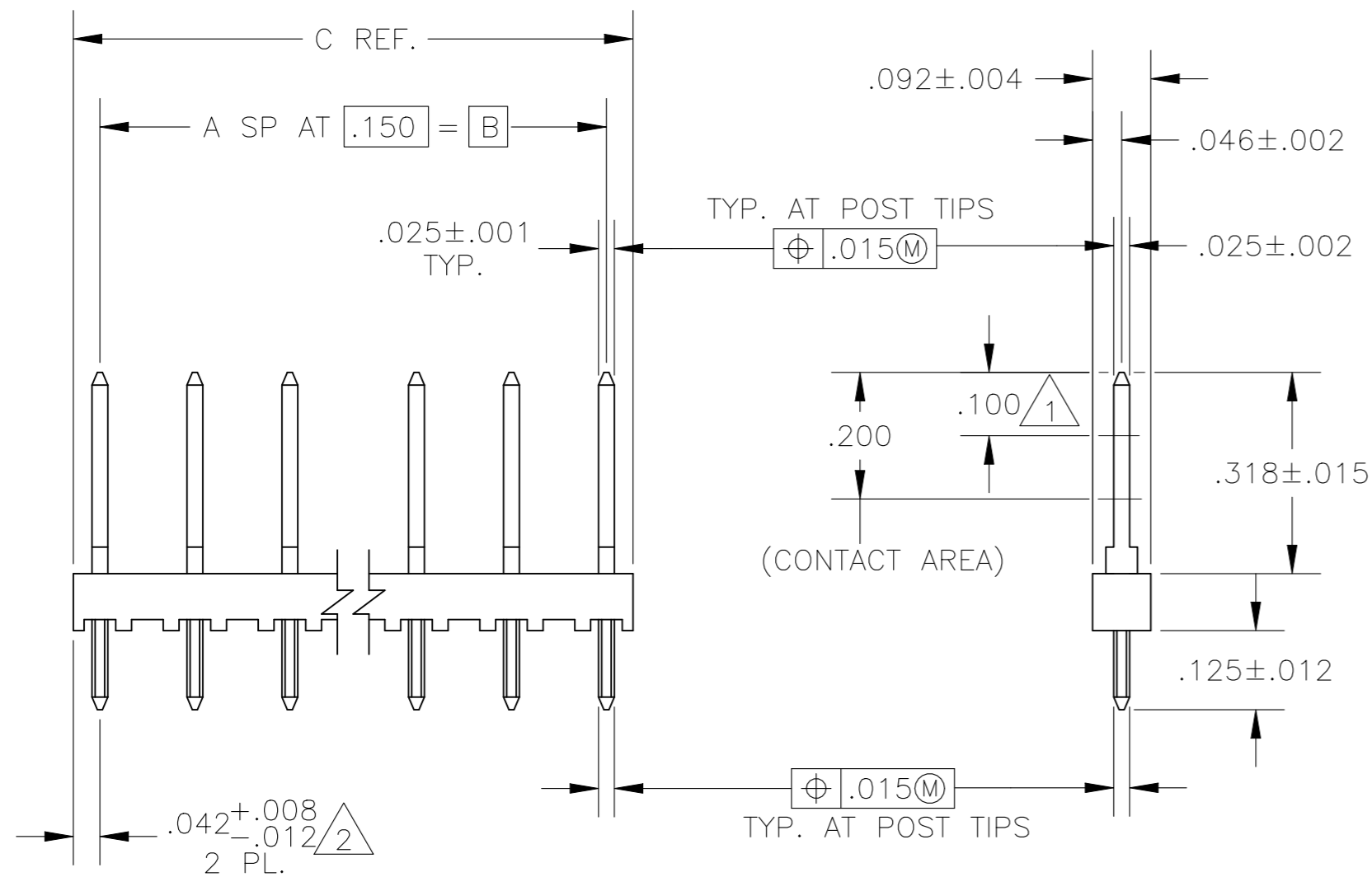


REVISIONS					
P	LTR	DESCRIPTION	DATE	DWN	APVD
L		PLASTIC MATERIAL SUPPLIER CHANGE FOR HOUSING	27MAY2021	SB	KJK



- 1 POINT OF MEASUREMENT FOR PLATING THICKNESS.
- 2 THE NOTED DIMENSION APPLY FROM THE BASIC DIMENSION LINE (NOT THE POST CENTERLINE) TO THE SURFACE INDICATED.
- 3 TRUE POSITION TOLERANCE OF THE POST TIPS APPLIES WHEN THE HEADERS ARE HELD FLAT AGAINST THE PRINTED CIRCUIT BOARD.
- 4 OBSOLETE PARTS: OBSOLETE CIS STREAMLINING PER D.RENAUD/D.SINISI

4	DESCRIPTION	3.984	3.900	26	27	2-87221-6
	OBSOLETE	3.834	3.750	25	26	2-87221-5
	OBSOLETE	3.684	3.600	24	25	2-87221-4
	OBSOLETE	3.534	3.450	23	24	2-87221-3
	OBSOLETE	3.384	3.300	22	23	2-87221-2
	OBSOLETE	3.234	3.150	21	22	2-87221-1
	OBSOLETE	3.084	3.000	20	21	2-87221-0
	OBSOLETE	2.934	2.850	19	20	1-87221-9
	OBSOLETE	2.784	2.700	18	19	1-87221-8
	OBSOLETE	2.634	2.550	17	18	1-87221-7
	OBSOLETE	2.484	2.400	16	17	1-87221-6
	OBSOLETE	2.334	2.250	15	16	1-87221-5
	OBSOLETE	2.184	2.100	14	15	1-87221-4
	OBSOLETE	2.034	1.950	13	14	1-87221-3
	OBSOLETE	1.884	1.800	12	13	1-87221-2
	OBSOLETE	1.734	1.650	11	12	1-87221-1
		1.584	1.500	10	11	1-87221-0
	OBSOLETE	1.434	1.350	9	10	—87221-9
	OBSOLETE	1.284	1.200	8	9	—87221-8
	OBSOLETE	1.134	1.050	7	8	—87221-7
		.984	.900	6	7	87221-6
		.834	.750	5	6	87221-5
	OBSOLETE	.684	.600	4	5	—87221-4
		.534	.450	3	4	87221-3
		.384	.300	2	3	87221-2
	OBSOLETE	.234	.150	1	2	—87221-1
		C	B	A	NO OF POS	PART NO.

THIS DRAWING IS A CONTROLLED DOCUMENT.		DWN	L. RINGLEY	10-18-85		TE Connectivity		
DIMENSIONS: INCHES		CHK	T. ZOLA	10-28-85		ASSEMBLY, MOD II, SINGLE ROW, .150 CL. VERTICAL		
TOLERANCES UNLESS OTHERWISE SPECIFIED:		APVD	T. ZOLA	10-28-85		SIZE	CAGE CODE	DRAWING NO
0 PLC ± - 1 PLC ± - 2 PLC ± - 3 PLC ± .005 4 PLC ± - ANGLES ± -		PRODUCT SPEC				A2	00779	C=87221
MATERIAL: HOUSING-FLAME RETARDENT THERMOPLASTIC, COLOR-BLACK		FINISH	POSTS-.000030 GOLD ON CONTACT AREA, GOLD FLASH ON SOLDER AREA, ALL OVER .000050 NICKEL		WEIGHT	-		
		CUSTOMER DRAWING		SCALE	4:1	SHEET	1 OF 1	

X-ON Electronics

Largest Supplier of Electrical and Electronic Components

Click to view similar products for [Headers & Wire Housings](#) category:

Click to view products by [TE Connectivity](#) manufacturer:

Other Similar products are found below :

[892-18-020-10-001101](#) [58102-G61-06LF](#) [582553-1](#) [0009485154](#) [009176003701906](#) [0050291907](#) [LY20-4P-DT1-P1E-BR](#) [02.125.8002.8](#)
[609-3404](#) [61062-3](#) [61082-181009](#) [622-3653LF](#) [63453-116](#) [636-1030](#) [636-1427](#) [636-3427](#) [636-4007](#) [641938-9](#) [641991-4](#) [644827-2](#) [65817-010LF](#) [65817-015LF](#) [65863-015LF](#) [66207-023LF](#) [67095-007LF](#) [67601157](#) [68645-018](#) [68648-049](#) [70.362.1628.0](#) [70-4210](#) [70-4226B](#) [70-4853B](#) [707-5020](#) [707-5028](#) [71.350.2428.0](#) [71918-208LF](#) [71961-016LF](#) [733-134](#) [733-162](#) [754199-000](#) [760-3052](#) [787-8014-00](#) [79531-3000](#)
[FCN-360C032-B](#) [FCN-367T-T012/H](#) [FCN-723D010/2](#) [80.063.4001.1](#) [800-90-001-10-001000](#) [800-90-010-10-002000](#) [801-43-002-10-013000](#)