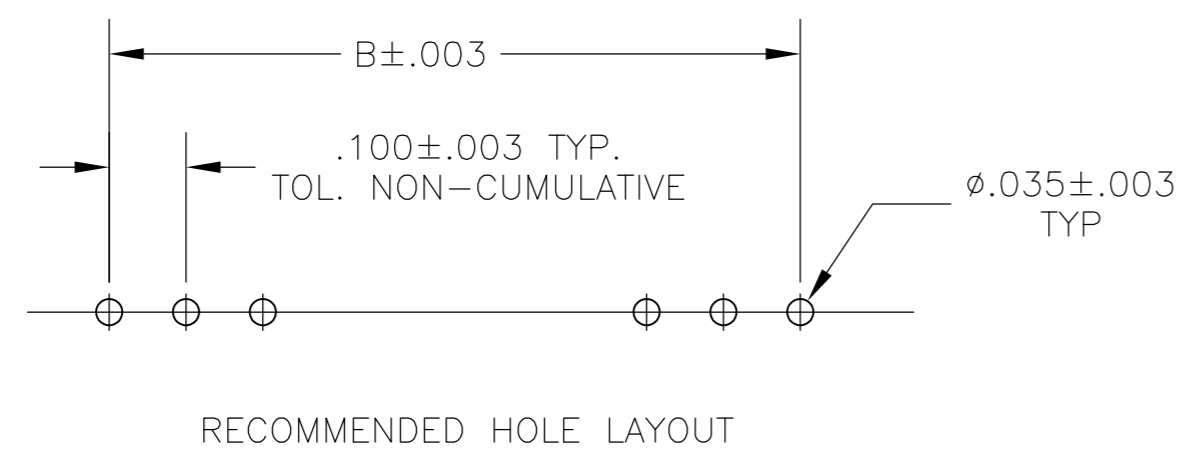
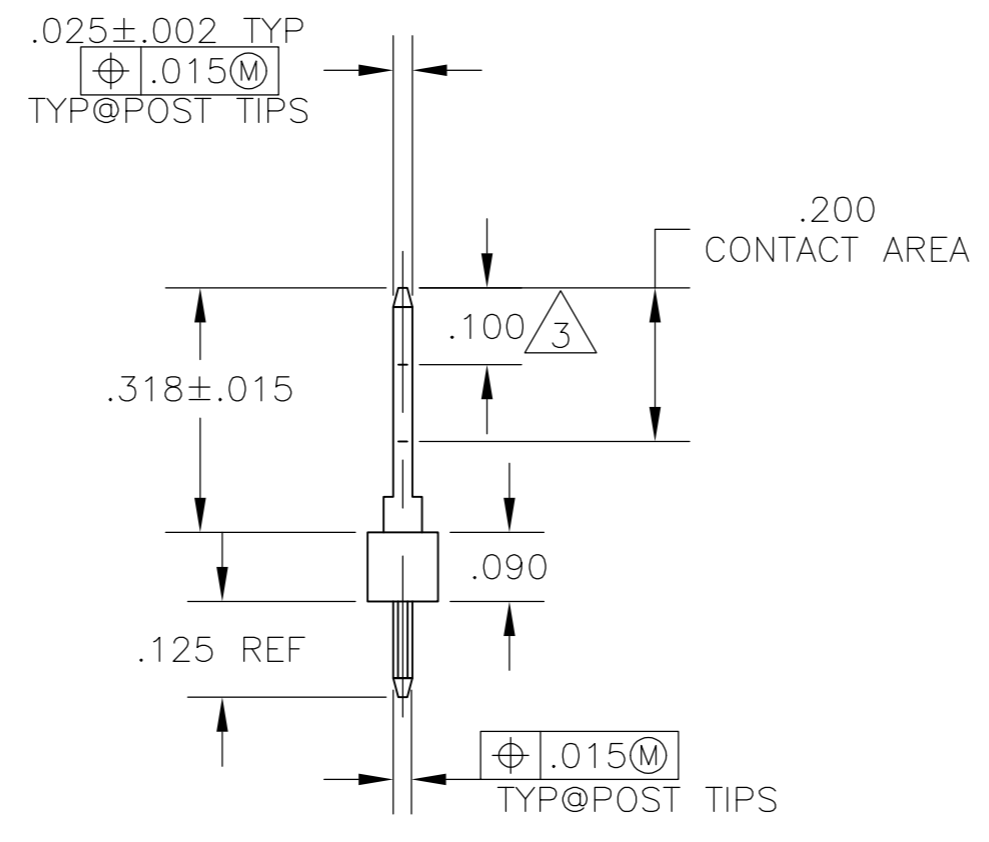
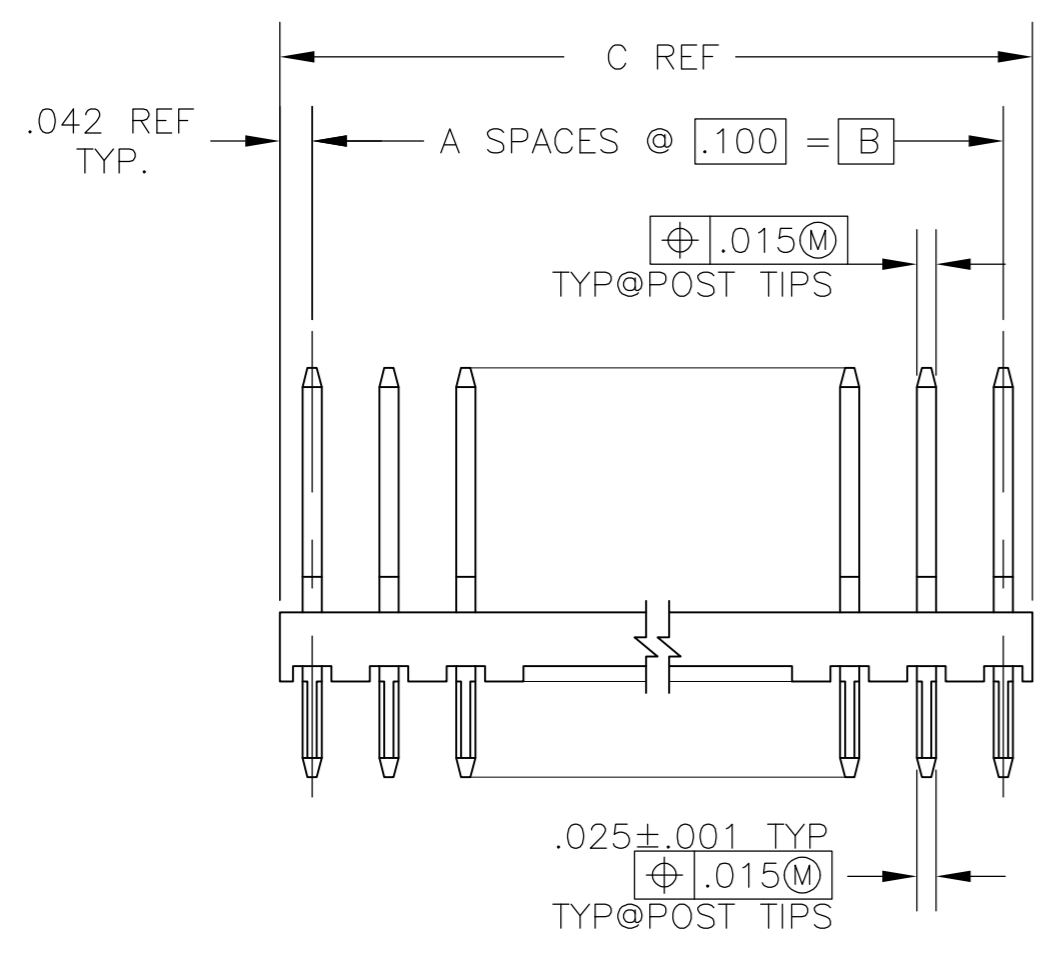


THIS DRAWING IS UNPUBLISHED. RELEASED FOR PUBLICATION
 © COPYRIGHT - By - ALL RIGHTS RESERVED.

LOC	DIST	REVISIONS					
AD	39	P	LTR	DESCRIPTION	DATE	DWN	APVD
		M		PLASTIC MATERIAL SUPPLIER CHANGED FOR HOUSING	07MAY2021	SB	KJK



NOTES:

- 1 TRUE POSITION TOLERANCE OF POST TIPS APPLIES WHEN HEADERS ARE HELD FLAT AGAINST PC BOARD.
- 2 .000015 GOLD IN CONTACT AREA, GOLD FLASH ON SOLDER AREA, ALL OVER .000050 NICKEL.
- 3 POINT OF MEASUREMENT FOR PLATING THICKNESS.
- 4 PARTS PACKAGED IN SINGLE TUBES.
- 5 HOUSING: FLAME RETARDANT THERMOPLASTIC, COLOR-BLACK POST: PHOS.BRONZE.
- 6 OBSOLETE PARTS: OBSOLETE CIS STREAMLINING PER D.RENAUD/D.SINISI

6	4	OBSOLETE	.284	.200	2	3	4-87224-3
		3.984	3.900	39	40	4-87224-0	
		3.884	3.800	38	39	3-87224-9	
		3.784	3.700	37	38	3-87224-8	
		3.684	3.600	36	37	3-87224-7	
		3.584	3.500	35	36	3-87224-6	
		3.484	3.400	34	35	3-87224-5	
		3.384	3.300	33	34	3-87224-4	
		3.284	3.200	32	33	3-87224-3	
		3.184	3.100	31	32	3-87224-2	
		3.084	3.000	30	31	3-87224-1	
		2.984	2.900	29	30	3-87224-0	
		2.884	2.800	28	29	2-87224-9	
		2.784	2.700	27	28	2-87224-8	
		2.684	2.600	26	27	2-87224-7	
		2.584	2.500	25	26	2-87224-6	
		2.484	2.400	24	25	2-87224-5	
		2.384	2.300	23	24	2-87224-4	
		2.284	2.200	22	23	2-87224-3	
		2.184	2.100	21	22	2-87224-2	
2.084	2.000	20	21	2-87224-1			
1.984	1.900	19	20	2-87224-0			
1.884	1.800	18	19	1-87224-9			
1.784	1.700	17	18	1-87224-8			
1.684	1.600	16	17	1-87224-7			
1.584	1.500	15	16	1-87224-6			
1.484	1.400	14	15	1-87224-5			
1.384	1.300	13	14	1-87224-4			
1.284	1.200	12	13	1-87224-3			
1.184	1.100	11	12	1-87224-2			
1.084	1.000	10	11	1-87224-1			
.984	.900	9	10	1-87224-0			
.884	.800	8	9	87224-9			
.784	.700	7	8	87224-8			
.684	.600	6	7	87224-7			
.584	.500	5	6	87224-6			
.484	.400	4	5	87224-5			
.384	.300	3	4	87224-4			
.284	.200	2	3	87224-3			
.184	.100	1	2	87224-2			
.084	-	-	1	87224-1			
C	B	A	NO OF POS	PART NO			

THIS DRAWING IS A CONTROLLED DOCUMENT.		DWN RAGHAVENDRA 24FEB09	TE Connectivity	
DIMENSIONS: INCHES		CHK GESFORD JEFFREY 24FEB09		
TOLERANCES UNLESS OTHERWISE SPECIFIED:		APVD GESFORD JEFFREY 24FEB09	NAME	
0 PLC ± - 1 PLC ± - 2 PLC ± - 3 PLC ± .005 4 PLC ± - ANGLES ± - FINISH		PRODUCT SPEC	HEADER ASS'Y MOD II, .025 SQ POST, SINGLE ROW, 100 C/L, STACKABLE	
MATERIAL 5		APPLICATION SPEC	SIZE A2	CAGE CODE 00779
FINISH 2		WEIGHT -	DRAWING NO C=87224	RESTRICTED TO -
CUSTOMER DRAWING			SCALE 4:1	SHEET 1 of 1
			REV M	

X-ON Electronics

Largest Supplier of Electrical and Electronic Components

Click to view similar products for [Headers & Wire Housings](#) category:

Click to view products by [TE Connectivity](#) manufacturer:

Other Similar products are found below :

[892-18-020-10-001101](#) [58102-G61-06LF](#) [582553-1](#) [0009485154](#) [009176003701906](#) [0050291907](#) [LY20-4P-DT1-P1E-BR](#) [02.125.8002.8](#)
[609-3404](#) [61062-3](#) [61082-181009](#) [622-3653LF](#) [63453-116](#) [636-1030](#) [636-1427](#) [636-3427](#) [636-4007](#) [641938-9](#) [641991-4](#) [644827-2](#) [65817-010LF](#) [65817-015LF](#) [65863-015LF](#) [66207-023LF](#) [67095-007LF](#) [67601157](#) [68645-018](#) [68648-049](#) [70.362.1628.0](#) [70-4210](#) [70-4226B](#) [70-4853B](#) [707-5020](#) [707-5028](#) [71.350.2428.0](#) [71918-208LF](#) [71961-016LF](#) [733-134](#) [733-162](#) [754199-000](#) [760-3052](#) [787-8014-00](#) [79531-3000](#)
[FCN-360C032-B](#) [FCN-367T-T012/H](#) [FCN-723D010/2](#) [80.063.4001.1](#) [800-90-001-10-001000](#) [800-90-010-10-002000](#) [801-43-002-10-013000](#)