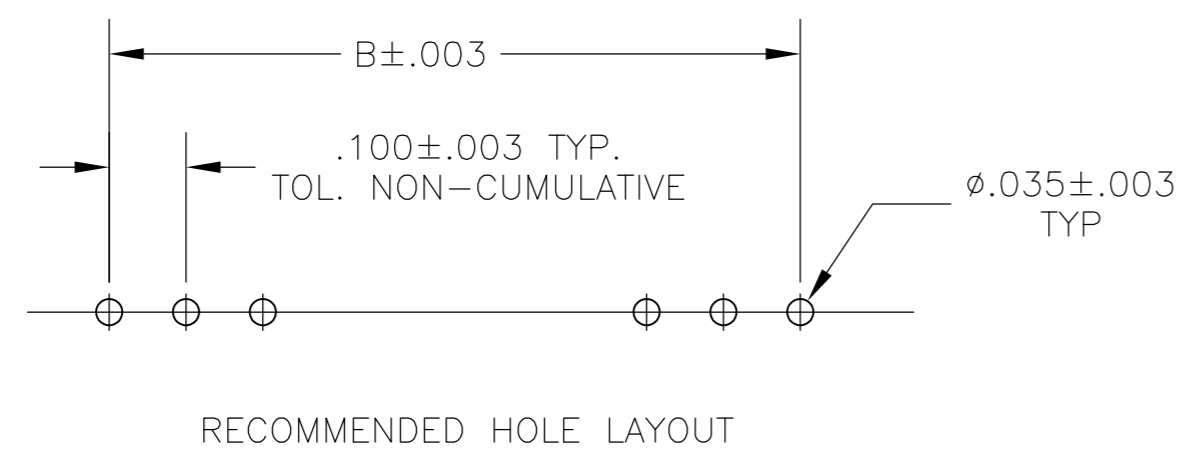
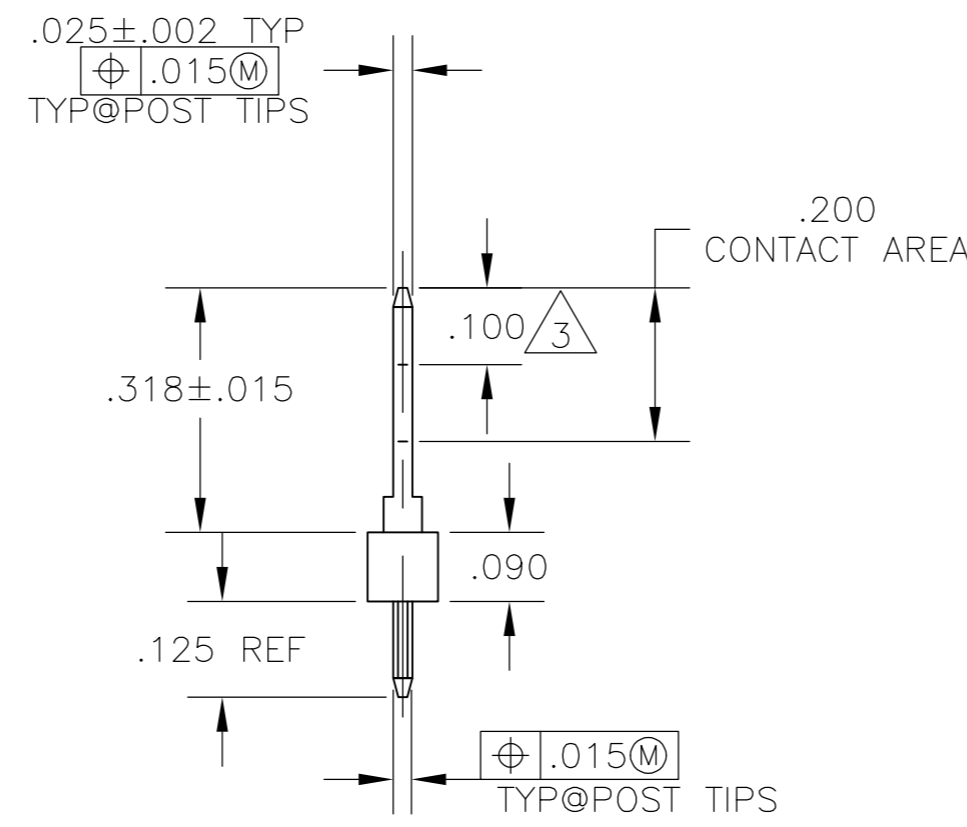
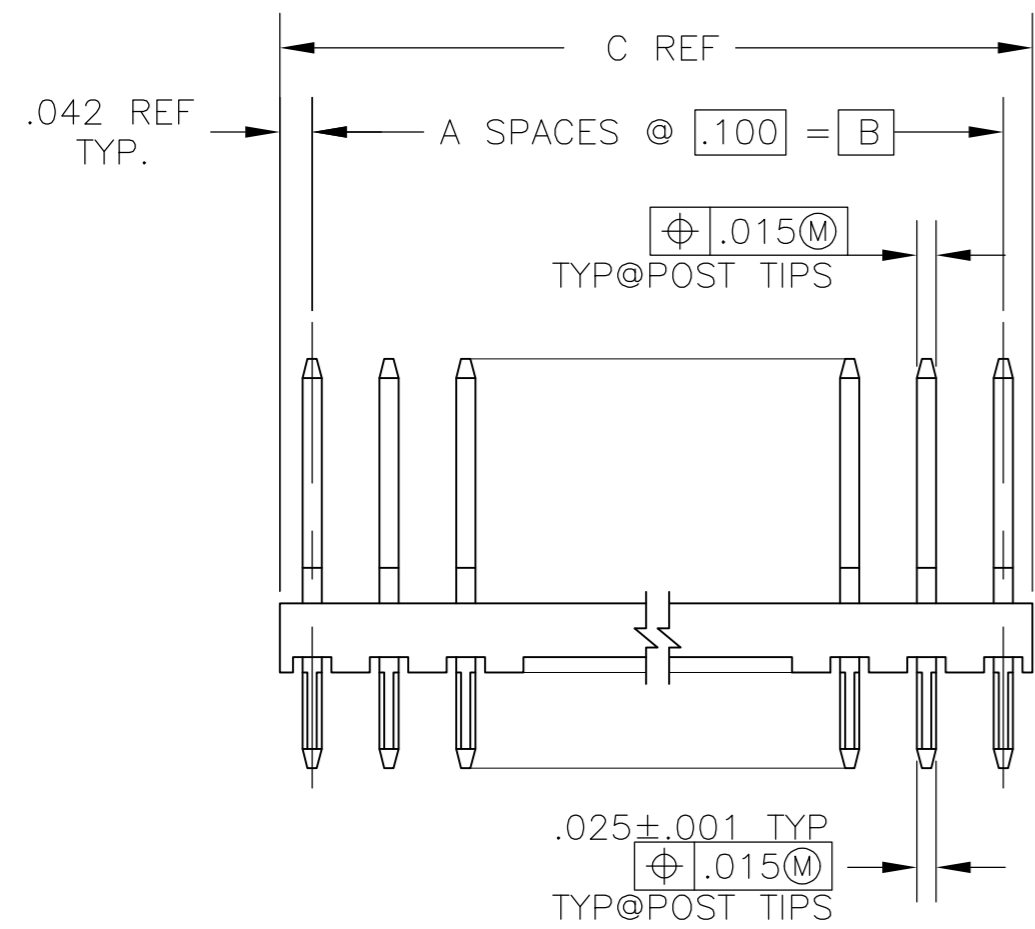


THIS DRAWING IS UNPUBLISHED. RELEASED FOR PUBLICATION  
 © COPYRIGHT - By - ALL RIGHTS RESERVED.

| LOC |    | DIST |     | REVISIONS                                     |           |     |      |
|-----|----|------|-----|---|-----------|-----|------|
| AD  | 39 | P    | LTR | DESCRIPTION                                   | DATE      | DWN | APVD |
|     |    | M    |     | PLASTIC MATERIAL SUPPLIER CHANGED FOR HOUSING | 07MAY2021 | SB  | KJK  |



- NOTES:
- 1 TRUE POSITION TOLERANCE OF POST TIPS APPLIES WHEN HEADERS ARE HELD FLAT AGAINST PC BOARD.
  - 2 .000015 GOLD IN CONTACT AREA, GOLD FLASH ON SOLDER AREA, ALL OVER .000050 NICKEL.
  - 3 POINT OF MEASUREMENT FOR PLATING THICKNESS.
  - 4 PARTS PACKAGED IN SINGLE TUBES.
  - 5 HOUSING: FLAME RETARDANT THERMOPLASTIC, COLOR-BLACK POST: PHOS.BRONZE.
  - 6 OBSOLETE PARTS: OBSOLETE CIS STREAMLINING PER D.RENAUD/D.SINISI

|       |       |          |           |           |    |           |           |
|-------|-------|----------|-----------|-----------|----|-----------|-----------|
| 6     | 4     | OBSOLETE | .284      | .200      | 2  | 3         | 4-87224-3 |
|       |       | 3.984    | 3.900     | 39        | 40 | 4-87224-0 |           |
|       |       | 3.884    | 3.800     | 38        | 39 | 3-87224-9 |           |
|       |       | 3.784    | 3.700     | 37        | 38 | 3-87224-8 |           |
|       |       | 3.684    | 3.600     | 36        | 37 | 3-87224-7 |           |
|       |       | 3.584    | 3.500     | 35        | 36 | 3-87224-6 |           |
|       |       | 3.484    | 3.400     | 34        | 35 | 3-87224-5 |           |
|       |       | 3.384    | 3.300     | 33        | 34 | 3-87224-4 |           |
|       |       | 3.284    | 3.200     | 32        | 33 | 3-87224-3 |           |
|       |       | 3.184    | 3.100     | 31        | 32 | 3-87224-2 |           |
|       |       | 3.084    | 3.000     | 30        | 31 | 3-87224-1 |           |
|       |       | 2.984    | 2.900     | 29        | 30 | 3-87224-0 |           |
|       |       | 2.884    | 2.800     | 28        | 29 | 2-87224-9 |           |
|       |       | 2.784    | 2.700     | 27        | 28 | 2-87224-8 |           |
|       |       | 2.684    | 2.600     | 26        | 27 | 2-87224-7 |           |
|       |       | 2.584    | 2.500     | 25        | 26 | 2-87224-6 |           |
|       |       | 2.484    | 2.400     | 24        | 25 | 2-87224-5 |           |
|       |       | 2.384    | 2.300     | 23        | 24 | 2-87224-4 |           |
|       |       | 2.284    | 2.200     | 22        | 23 | 2-87224-3 |           |
|       |       | 2.184    | 2.100     | 21        | 22 | 2-87224-2 |           |
| 2.084 | 2.000 | 20       | 21        | 2-87224-1 |    |           |           |
| 1.984 | 1.900 | 19       | 20        | 2-87224-0 |    |           |           |
| 1.884 | 1.800 | 18       | 19        | 1-87224-9 |    |           |           |
| 1.784 | 1.700 | 17       | 18        | 1-87224-8 |    |           |           |
| 1.684 | 1.600 | 16       | 17        | 1-87224-7 |    |           |           |
| 1.584 | 1.500 | 15       | 16        | 1-87224-6 |    |           |           |
| 1.484 | 1.400 | 14       | 15        | 1-87224-5 |    |           |           |
| 1.384 | 1.300 | 13       | 14        | 1-87224-4 |    |           |           |
| 1.284 | 1.200 | 12       | 13        | 1-87224-3 |    |           |           |
| 1.184 | 1.100 | 11       | 12        | 1-87224-2 |    |           |           |
| 1.084 | 1.000 | 10       | 11        | 1-87224-1 |    |           |           |
| .984  | .900  | 9        | 10        | 1-87224-0 |    |           |           |
| .884  | .800  | 8        | 9         | 87224-9   |    |           |           |
| .784  | .700  | 7        | 8         | 87224-8   |    |           |           |
| .684  | .600  | 6        | 7         | 87224-7   |    |           |           |
| .584  | .500  | 5        | 6         | 87224-6   |    |           |           |
| .484  | .400  | 4        | 5         | 87224-5   |    |           |           |
| .384  | .300  | 3        | 4         | 87224-4   |    |           |           |
| .284  | .200  | 2        | 3         | 87224-3   |    |           |           |
| .184  | .100  | 1        | 2         | 87224-2   |    |           |           |
| .084  | -     | -        | 1         | 87224-1   |    |           |           |
| C     | B     | A        | NO OF POS | PART NO   |    |           |           |

THIS DRAWING IS A CONTROLLED DOCUMENT.

DWN RAGHAVENDRA 24FEB09  
 CHK GESFORD JEFFREY 24FEB09  
 APVD GESFORD JEFFREY 24FEB09

TE Connectivity

NAME: HEADER ASS'Y MOD II, .025 SQ POST, SINGLE ROW, 100 C/L, STACKABLE

SIZE: A2 CAGE CODE: 00779 DRAWING NO: 87224 RESTRICTED TO: -

MATERIAL: 5 FINISH: 2 WEIGHT: - SCALE: 4:1 SHEET: 1 OF 1 REV: M

CUSTOMER DRAWING

## X-ON Electronics

Largest Supplier of Electrical and Electronic Components

*Click to view similar products for [Headers & Wire Housings](#) category:*

*Click to view products by [TE Connectivity](#) manufacturer:*

Other Similar products are found below :

[892-18-020-10-001101](#) [58102-G61-06LF](#) [582553-1](#) [0009485154](#) [009176003701906](#) [0050291907](#) [LY20-4P-DT1-P1E-BR](#) [02.125.8002.8](#)  
[609-3404](#) [61062-3](#) [61082-181009](#) [622-3653LF](#) [63453-116](#) [636-1030](#) [636-1427](#) [636-3427](#) [636-4007](#) [641938-9](#) [641991-4](#) [644827-2](#) [65817-010LF](#) [65817-015LF](#) [65863-015LF](#) [66207-023LF](#) [67095-007LF](#) [67601157](#) [68645-018](#) [68648-049](#) [70.362.1628.0](#) [70-4210](#) [70-4226B](#) [70-4853B](#) [707-5020](#) [707-5028](#) [71.350.2428.0](#) [71918-208LF](#) [71961-016LF](#) [733-134](#) [733-162](#) [754199-000](#) [760-3052](#) [787-8014-00](#) [79531-3000](#)  
[FCN-360C032-B](#) [FCN-367T-T012/H](#) [FCN-723D010/2](#) [80.063.4001.1](#) [800-90-001-10-001000](#) [800-90-010-10-002000](#) [801-43-002-10-013000](#)