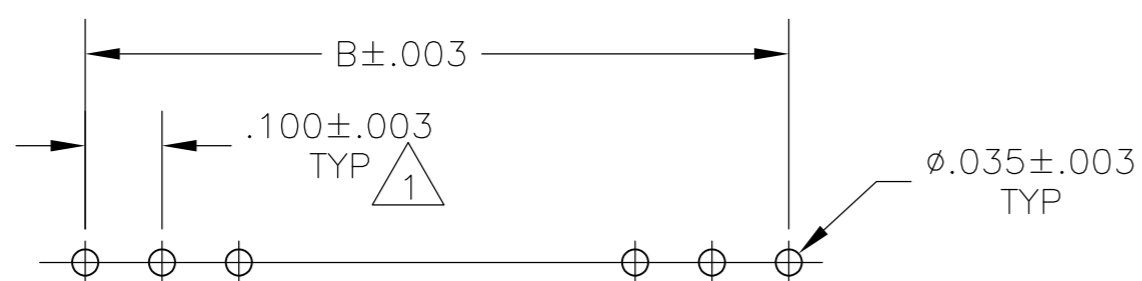
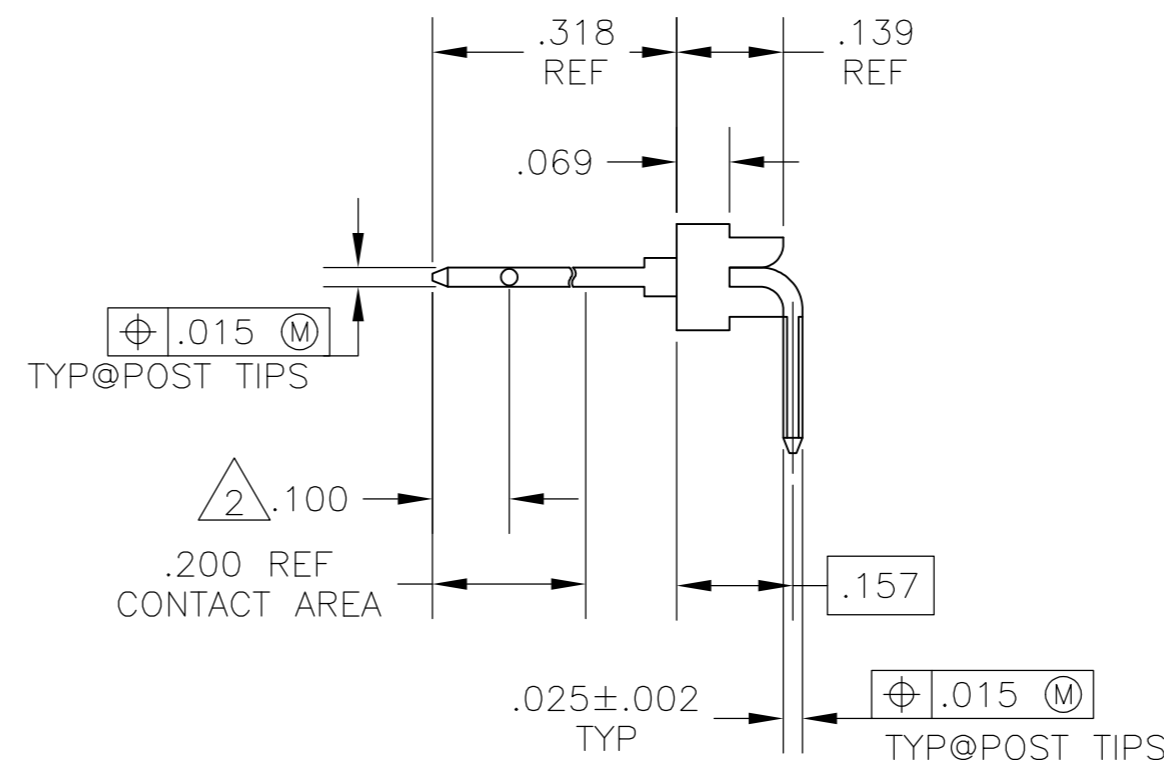
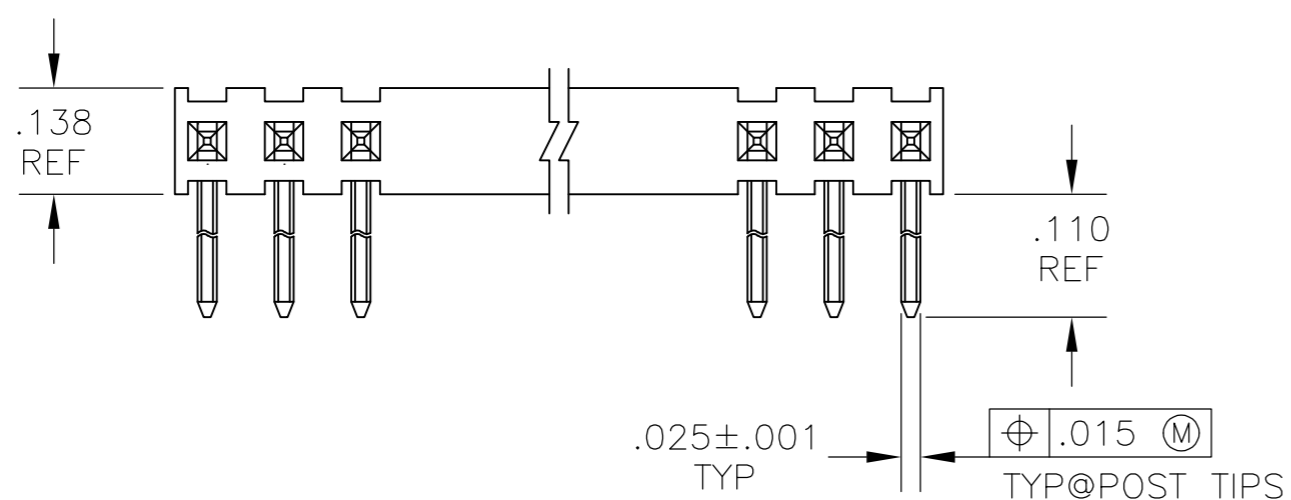
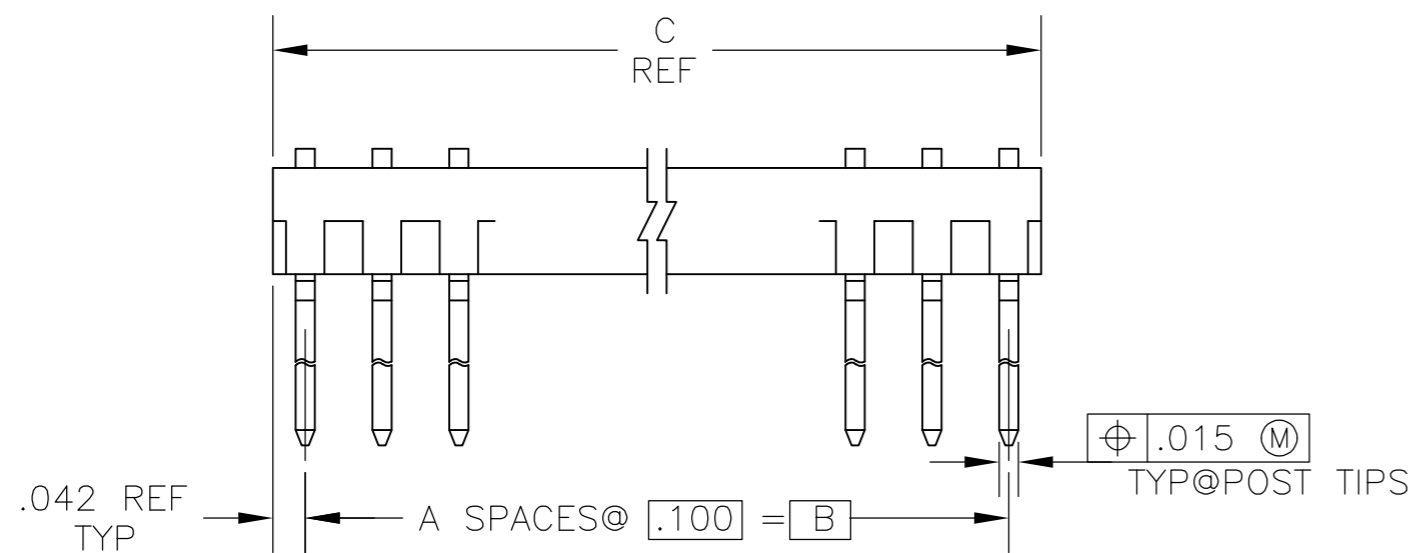


THIS DRAWING IS UNPUBLISHED. RELEASED FOR PUBLICATION
 © COPYRIGHT - By - ALL RIGHTS RESERVED.

LOC		DIST		REVISIONS			
P	LTR	DESCRIPTION		DATE	DWN	APVD	
AD	39	K	PLASTIC MATERIAL SUPPLIER CHANGED FOR HOUSING		07MAY2021	SB	KJK



RECOMMENDED HOLE LAYOUT

NOTES:

- 1 TOLERANCE NON-CUMULATIVE
- 2 POINT OF MEASUREMENT FOR PLATING THICKNESS
- 3 .000015 GOLD ON CONTACT AREA GOLD FLASH ON SOLDER AREA. ALL OVER .000050 NICKEL
- 4 HOUSING: FLAME RETARDANT THERMOPLASTIC
COLOR: BLACK
POST : PHOS. BRONZE

3.984	3.900	39	40	4-87233-0
3.884	3.800	38	39	3-87233-9
3.784	3.700	37	38	3-87233-8
3.684	3.600	36	37	3-87233-7
3.584	3.500	35	36	3-87233-6
3.484	3.400	34	35	3-87233-5
3.384	3.300	33	34	3-87233-4
3.284	3.200	32	33	3-87233-3
3.184	3.100	31	32	3-87233-2
3.084	3.000	30	31	3-87233-1
2.984	2.900	29	30	3-87233-0
2.884	2.800	28	29	2-87233-9
2.784	2.700	27	28	2-87233-8
2.684	2.600	26	27	2-87233-7
2.584	2.500	25	26	2-87233-6
2.484	2.400	24	25	2-87233-5
2.384	2.300	23	24	2-87233-4
2.284	2.200	22	23	2-87233-3
2.184	2.100	21	22	2-87233-2
2.084	2.000	20	21	2-87233-1
1.984	1.900	19	20	2-87233-0
1.884	1.800	18	19	1-87233-9
1.784	1.700	17	18	1-87233-8
1.684	1.600	16	17	1-87233-7
1.584	1.500	15	16	1-87233-6
1.484	1.400	14	15	1-87233-5
1.384	1.300	13	14	1-87233-4
1.284	1.200	12	13	1-87233-3
1.184	1.100	11	12	1-87233-2
1.084	1.000	10	11	1-87233-1
.984	.900	9	10	1-87233-0
.884	.800	8	9	87233-9
.784	.700	7	8	87233-8
.684	.600	6	7	87233-7
.584	.500	5	6	87233-6
.484	.400	4	5	87233-5
.384	.300	3	4	87233-4
.284	.200	2	3	87233-3
.184	.100	1	2	87233-2
.084	-	-	1	87233-1
C	B	A	NO OF POS	PART NO

THIS DRAWING IS A CONTROLLED DOCUMENT.

DIMENSIONS: INCHES	TOLERANCES UNLESS OTHERWISE SPECIFIED:	DWN RAGHAVENDRA 24FEB09	
	0 PLC ± -	CHK GESFORD JEFFREY 24FEB09	
	1 PLC ± -	APVD GESFORD JEFFREY 24FEB09	
	2 PLC ± -	NAME	
MATERIAL	FINISH	PRODUCT SPEC	HEADER ASSY, MOD II, .100C/L, SINGLE ROW, RIGHT ANGLE, .025 SQUARE POST
WEIGHT	SCALE	APPLICATION SPEC	RESTRICTED TO
CUSTOMER DRAWING	4:1	WEIGHT -	A2 00779 C=87233
	SHEET	FINISH	1 of 1
	REV		K

X-ON Electronics

Largest Supplier of Electrical and Electronic Components

Click to view similar products for [Headers & Wire Housings](#) category:

Click to view products by [TE Connectivity](#) manufacturer:

Other Similar products are found below :

[892-18-020-10-001101](#) [58102-G61-06LF](#) [582553-1](#) [0009485154](#) [009176003701906](#) [0050291907](#) [LY20-4P-DT1-P1E-BR](#) [02.125.8002.8](#)
[609-3404](#) [61062-3](#) [61082-181009](#) [622-3653LF](#) [63453-116](#) [636-1030](#) [636-1427](#) [636-3427](#) [636-4007](#) [641938-9](#) [641991-4](#) [644827-2](#) [65817-](#)
[010LF](#) [65817-015LF](#) [65863-015LF](#) [66207-023LF](#) [67095-007LF](#) [67601157](#) [68645-018](#) [68648-049](#) [70.362.1628.0](#) [70-4210](#) [70-4226B](#) [70-](#)
[4853B](#) [707-5020](#) [707-5028](#) [71.350.2428.0](#) [71918-208LF](#) [71961-016LF](#) [733-134](#) [733-162](#) [754199-000](#) [760-3052](#) [787-8014-00](#) [79531-3000](#)
[FCN-360C032-B](#) [FCN-367T-T012/H](#) [FCN-723D010/2](#) [80.063.4001.1](#) [800-90-001-10-001000](#) [800-90-010-10-002000](#) [801-43-002-10-013000](#)