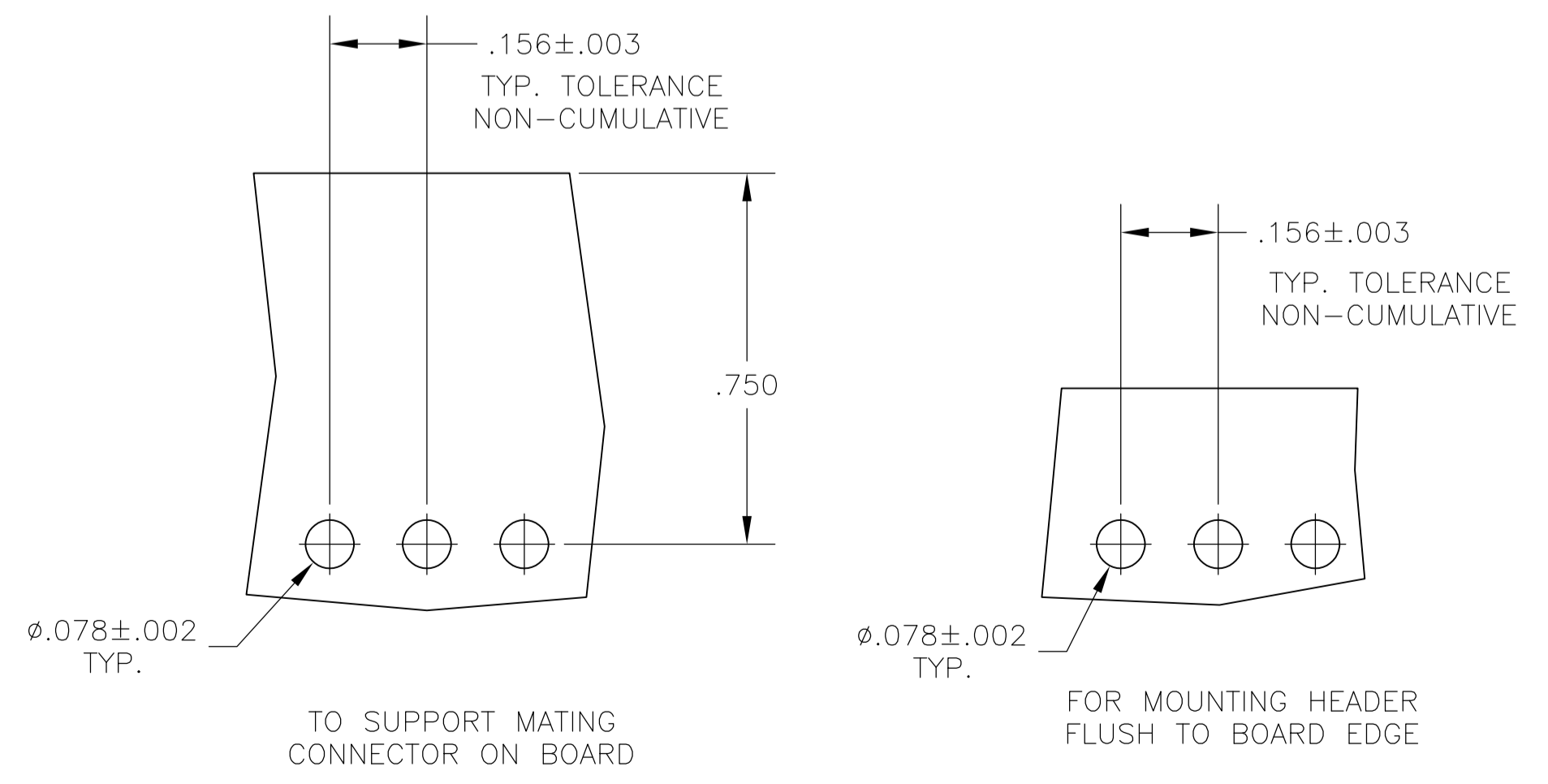
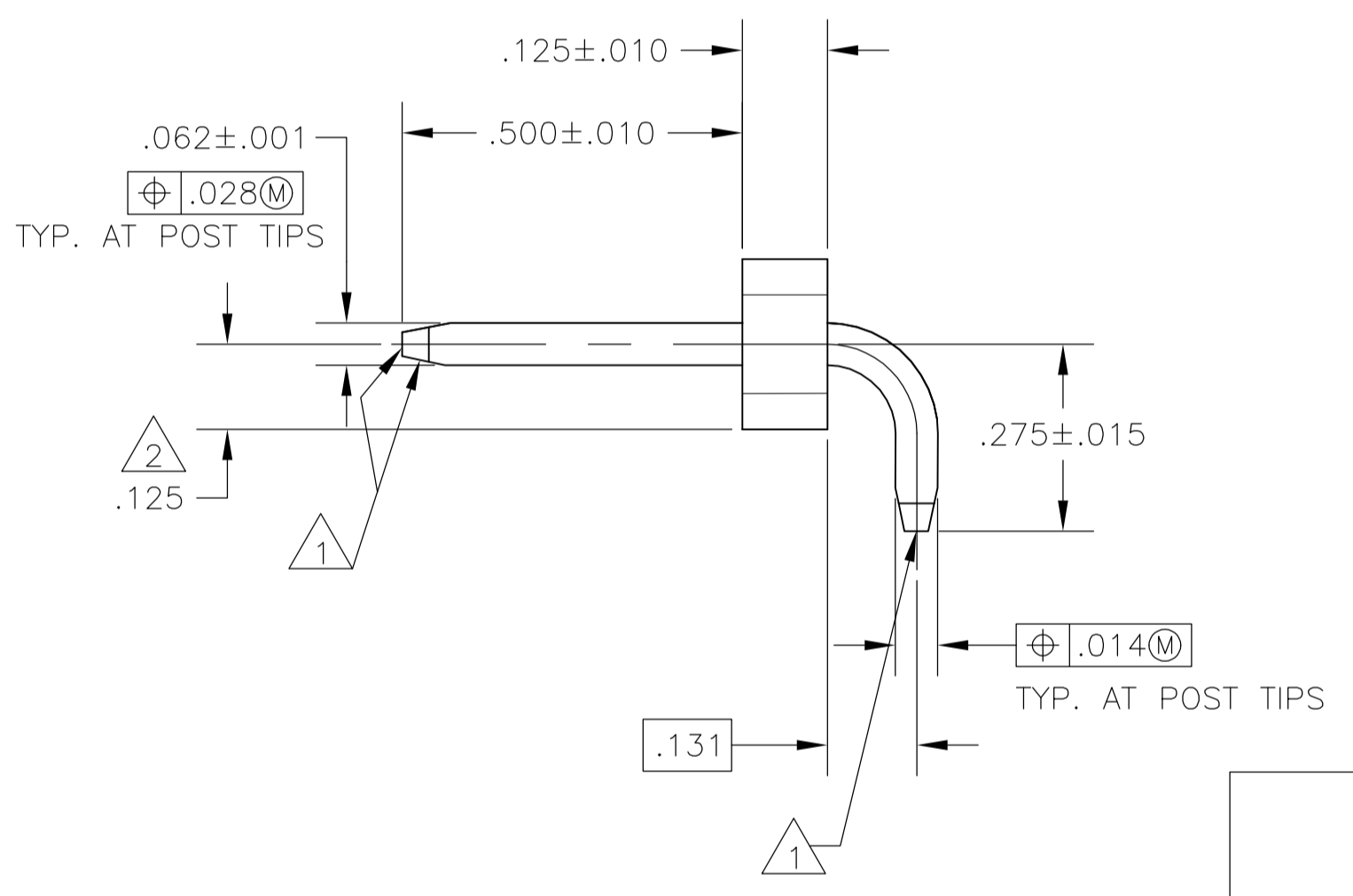
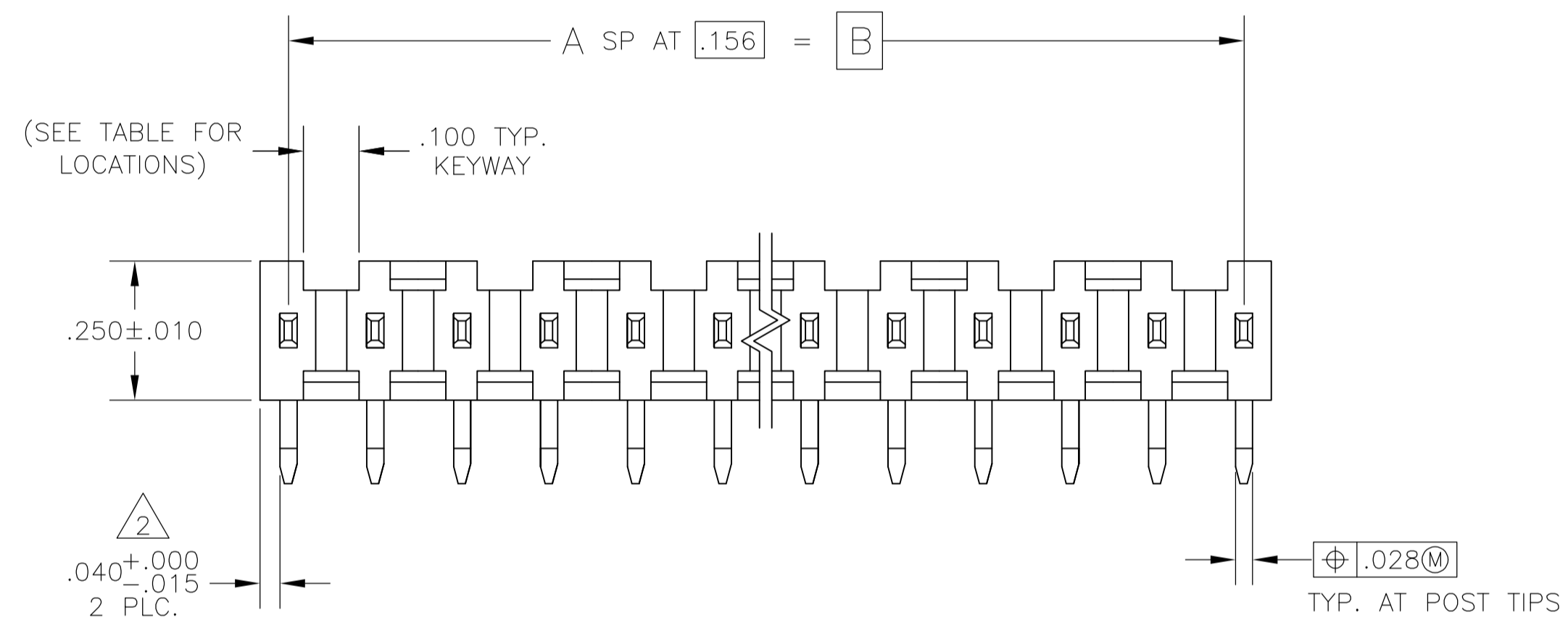
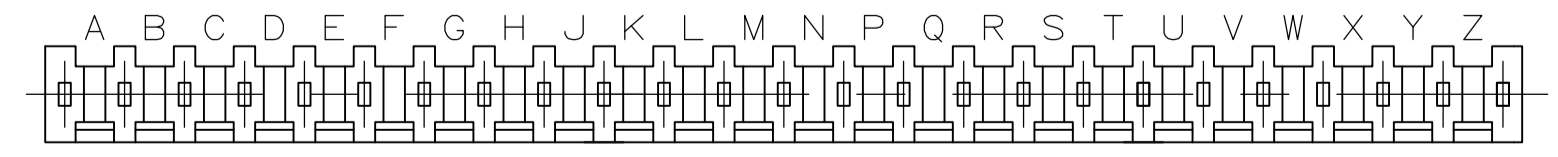


- 1 THE TIPS OF THE POSTS WILL NOT BE PLATED
- 2 THE NOTED DIMENSIONS APPLY AT THE INTERSECTION OF THE POST AND THE HOUSING
- 3 OBSOLETE PARTS: OBSOLETE CIS STREAMLINING PER D.RENAUD/D.SINISI



RECOMMENDED BOARD LAYOUT



KEYWAYS LOCATIONS (REF-SEE TABLE)
 (MATING LENGTH OF POST ON NEAR SIDE)
 SCALE 2:1

3 OBSOLETE	A,C,E,H,K,M,Q,S,U,W,Y	11	3.855	3.744	24	25	2-87258-5
	A,C,E,G,J,L,N,Q,S,U,W,Y	12	3.699	3.588	23	24	2-87258-4
	A,D,G,K,N,R,U,X	8	3.543	3.432	22	23	2-87258-3
	A,C,E,G,J,L,N,Q,S,U,W	11	3.387	3.276	21	22	2-87258-2
	A,D,G,K,N,R,U	7	3.231	3.120	20	21	2-87258-1
	A,C,E,G,J,L,N,Q,S,U	10	3.075	2.964	19	20	2-87258-0
	B,D,F,J,L,N,Q,S	8	2.919	2.808	18	19	1-87258-9
	A,D,F,J,M,P,S	7	2.763	2.652	17	18	1-87258-8
	A,D,G,K,N,R	6	2.607	2.496	16	17	1-87258-7
	A,C,E,G,J,L,N,Q	8	2.451	2.340	15	16	1-87258-6
	A,D,G,K,N	5	2.295	2.184	14	15	1-87258-5
	A,C,E,G,J,L,N	7	2.139	2.028	13	14	1-87258-4
	A,D,J,M	4	1.983	1.872	12	13	1-87258-3
	A,C,E,G,J,L	6	1.827	1.716	11	12	1-87258-2
	A,D,G,K	4	1.671	1.560	10	11	1-87258-1
3 OBSOLETE	A,C,E,G,J	5	1.515	1.404	9	10	1-87258-0
	A,D,G	3	1.359	1.248	8	9	87258-9
	A,C,E,G	4	1.203	1.092	7	8	87258-8
3 OBSOLETE	A,C,E	3	1.047	.936	6	7	87258-7
	A,C,E	3	.891	.780	5	6	87258-6
	A,D	2	.735	.624	4	5	87258-5
	A,C	2	.579	.468	3	4	87258-4
	A	1	.423	.312	2	3	87258-3
	A	1	.267	.156	1	2	87258-2
	KEYWAY LOCATIONS	NO. OF KEYWAY	C	B	A	NO. OF POSN	ASSEMBLY PART NUMBER

THIS DRAWING IS A CONTROLLED DOCUMENT.

DIN H MOLL 3-23-88
 CHK ED TREFCE 3-23-88
 APVD ED TREFCE 3-23-88

tyco Electronics
 Tyco Electronics Corporation
 Harrisburg, Pa 17105-3608

NAME: HEADER ASSEMBLY, MOD 1, RIGHT ANGLE, SINGLE ROW, .156 C/L

PRODUCT SPEC: 108-25016

APPLICATION SPEC: A100779

SIZE: A1
 CASE CODE: 00779
 DRAWING NO: 87258

RESTRICTED TO: CUSTOMER DRAWING

SCALE: 4:1 SHEET: 1 OF 1 REV: M1

X-ON Electronics

Largest Supplier of Electrical and Electronic Components

Click to view similar products for [Headers & Wire Housings](#) category:

Click to view products by [TE Connectivity](#) manufacturer:

Other Similar products are found below :

[95000-104TRLF](#) [10135584-644402LF](#) [DF62W-EP2022PCA](#) [95000-106TRLF](#) [DF62W-2022SCA](#) [DF62W-EP2022PC](#) [2203348](#) [DF62W-2022SC](#) [1084018](#) [1029039](#) [1084017](#) [802-10-012-10-002000](#) [1112640](#) [1112639](#) [000-34000](#) [0009482033](#) [0009507031](#) [57102-S06-03LF](#) [57202-S52-04LF](#) [PCN6-15S-2.5E](#) [0039019024](#) [58102-G61-06LF](#) [582553-1](#) [0009485154](#) [0009508121](#) [0022285053](#) [0050291907](#) [018731A](#) [LY20-4P-DT1-P1E-BR](#) [02.125.8002.8](#) [60101931](#) [60598-1 \(Cut Strip\)](#) [M1625-3R/100](#) [61062-3](#) [61082-181009](#) [636-1427](#) [638009-1](#) [641938-9](#) [641991-4](#) [644168-1](#) [647662-1](#) [65039-019ELF](#) [65781-047](#) [65817-002LF](#) [65817-015LF](#) [65863-015LF](#) [66207-023LF](#) [67016-026LF](#) [67046-001LF](#) [67095-007LF](#)