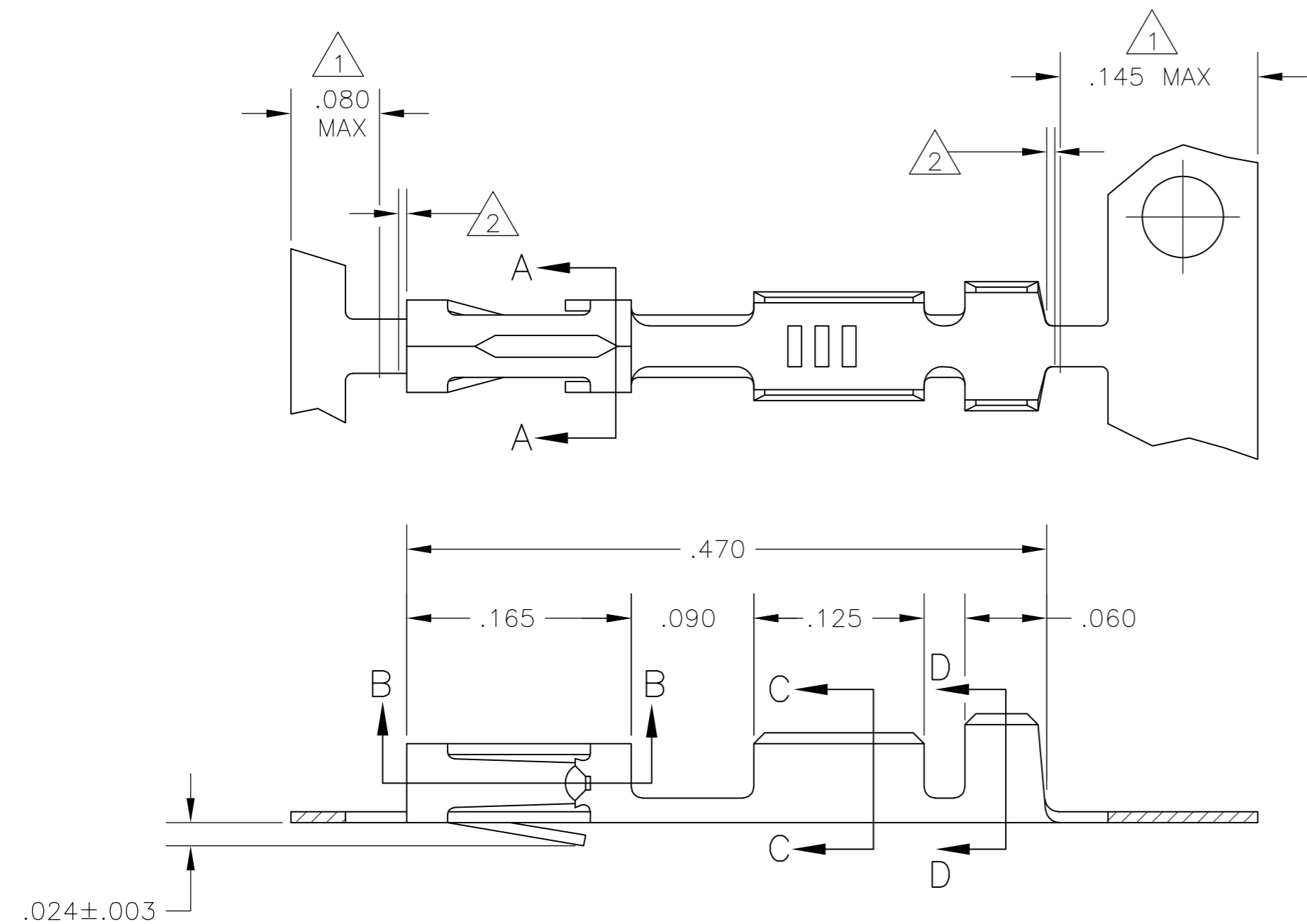


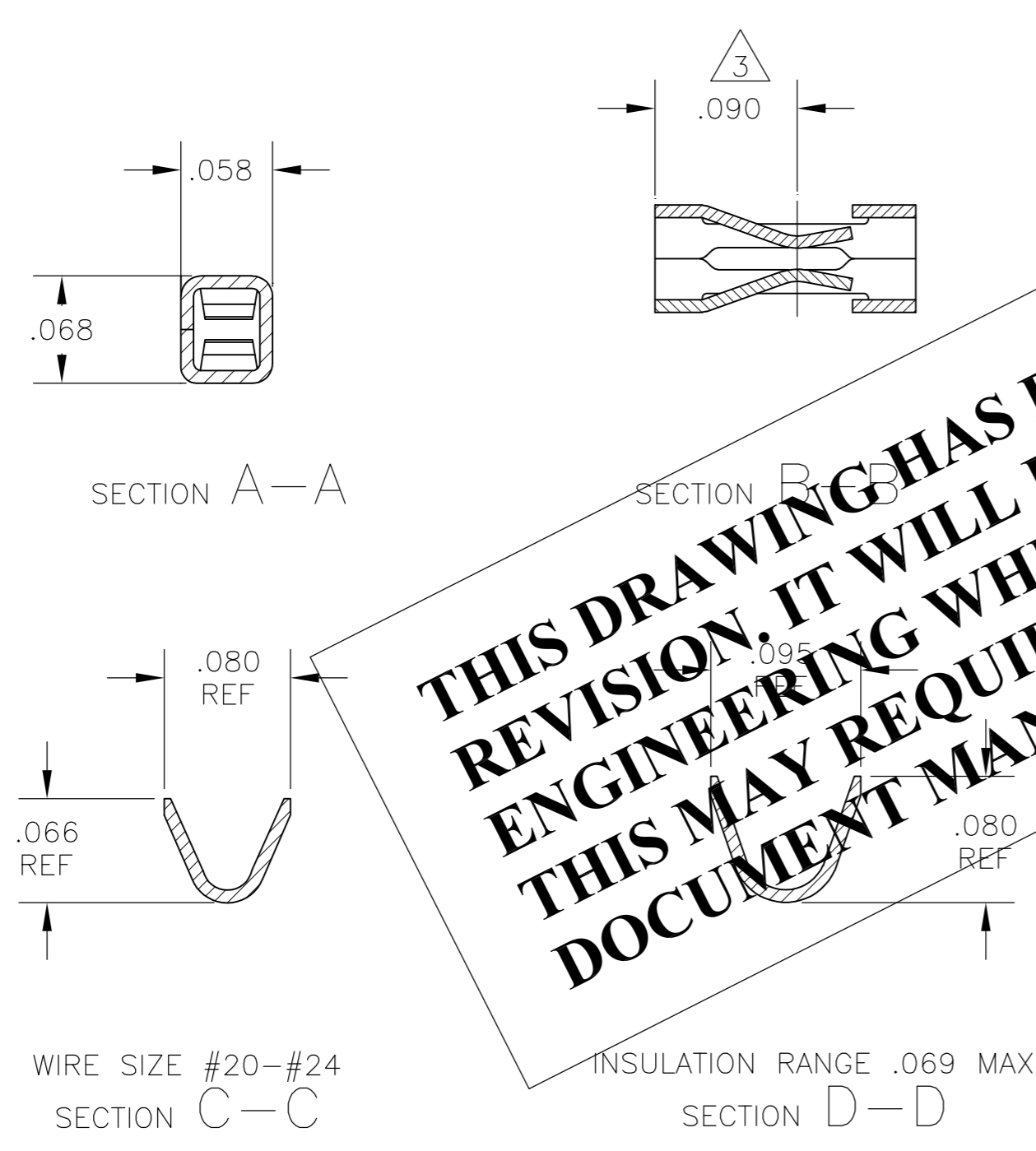
THIS DRAWING IS UNPUBLISHED. RELEASED FOR PUBLICATION
 © COPYRIGHT - By - ALL RIGHTS RESERVED.

LOC		DIST		REVISIONS			
P	LTR	DESCRIPTION		DATE	DWN	APVD	
	L1	REVISED PER ECO-11-004587		11MAR11	RK	HMR	



- 1 PLATING IS NOT REQUIRED IN THIS AREA.
- 2 .006 MAX LOOSE PIECE CUT-OFF.
- 3 POINT OF MEASUREMENT FOR PLATING THICKNESS, INSIDE BEAMS
- 4 .000050-.000150 PREPLATED BRIGHT TIN.
- 5 .000030 GOLD IN CONTACT AREA, GOLD FLASH ON THE REMAINDER, ALL OVER .000050 NICKEL.
- 6 .000030 GOLD OVER .000050 NICKEL ENTIRE TERMINAL.
- 7 .000050 GOLD OVER .000050 NICKEL ENTIRE TERMINAL.
- 8 .000015 GOLD IN CONTACT AREA, GOLD FLASH ON THE REMAINDER, ALL OVER .000050 NICKEL.
- 9 SHEAR EDGE ARE PERMITTED TO BE UNPLATED.
- 10 .000015 GOLD IN CONTACT AREA, .000050 NICKEL ON ENTIRE TERMINAL.
- 11 OBSOLETE PART NUMBER.

THIS DRAWING HAS BEEN TRANSLATED AND REFLECTS THE PREVIOUS REVISION. IT WILL REQUIRE A COMPLETE DRAWING CHECK BY PRODUCT ENGINEERING WHEN THE NEXT ECO CHANGE IS WRITTEN - THIS MAY REQUIRE A CHANGE TO THE REVISION OF THE DOCUMENT MANAGER FOLDER AND THIS DRAWING.



2-87309-5	OBSOLETE	2-87309-4
2- -3	OBSOLETE	2 -1
2- 11 -0	1- 11 -8	1 11 -9
1- 11 -7	11 -6	1 11 -2
1- 11 -6	11 -5	1 11 -1
1- 11 -5	11 -4	1 11 -0
1- -4	-3	-9
1-87309-3	87309-2	87309-8
LOOSE PIECE PART NUMBER	STANDARD APPLICATOR PART NUMBER	MINI APPLICATOR PART NUMBER
	FINISH	

THIS DRAWING IS A CONTROLLED DOCUMENT.		DWN L D RINGLEY 28JAN85	STE TE Connectivity	
DIMENSIONS: INCHES		CHK R J DAVIS 30JAN85		
TOLERANCES UNLESS OTHERWISE SPECIFIED:		APVD R J DAVIS 30JAN85	NAME CONTACT, MOD V CRIMP SNAP-IN	
0 PLC ± -		PRODUCT SPEC -	SIZE A2 CAGE CODE 00779 DRAWING NO C=87309	
1 PLC ± -		APPLICATION SPEC -	RESTRICTED TO -	
2 PLC ± -		WEIGHT -	SCALE 10:1 SHEET 1 of 1 REV L1	
3 PLC ± .005		CUSTOMER DRAWING		
4 PLC ± -				
ANGLES ± -				
FINISH SEE TABLE				
MATERIAL PHOS. BRONZE .008 THICK				

X-ON Electronics

Largest Supplier of Electrical and Electronic Components

Click to view similar products for [Headers & Wire Housings](#) category:

Click to view products by [TE Connectivity](#) manufacturer:

Other Similar products are found below :

[892-18-020-10-001101](#) [58102-G61-06LF](#) [582553-1](#) [0009485154](#) [009176003701906](#) [0050291907](#) [LY20-4P-DT1-P1E-BR](#) [02.125.8002.8](#)
[609-3404](#) [61062-3](#) [61082-181009](#) [622-3653LF](#) [63453-116](#) [636-1030](#) [636-1427](#) [636-3427](#) [636-4007](#) [641938-9](#) [641991-4](#) [644827-2](#) [65817-](#)
[010LF](#) [65817-015LF](#) [65863-015LF](#) [66207-023LF](#) [67095-007LF](#) [67601157](#) [68645-018](#) [68648-049](#) [70.362.1628.0](#) [70-4210](#) [70-4226B](#) [70-](#)
[4853B](#) [707-5020](#) [707-5028](#) [71.350.2428.0](#) [71918-208LF](#) [71961-016LF](#) [733-134](#) [733-162](#) [754199-000](#) [760-3052](#) [79531-3000](#) [FCN-](#)
[360C032-B](#) [FCN-367T-T012/H](#) [FCN-723D010/2](#) [80.063.4001.1](#) [800-90-010-10-002000](#) [801-43-002-10-013000](#) [801-43-006-10-002000](#)
[801-93-011-10-001000](#)