

THIS DRAWING IS UNPUBLISHED. RELEASED FOR PUBLICATION
 © COPYRIGHT BY TYCO ELECTRONICS CORPORATION. ALL INTERNATIONAL RIGHTS RESERVED.

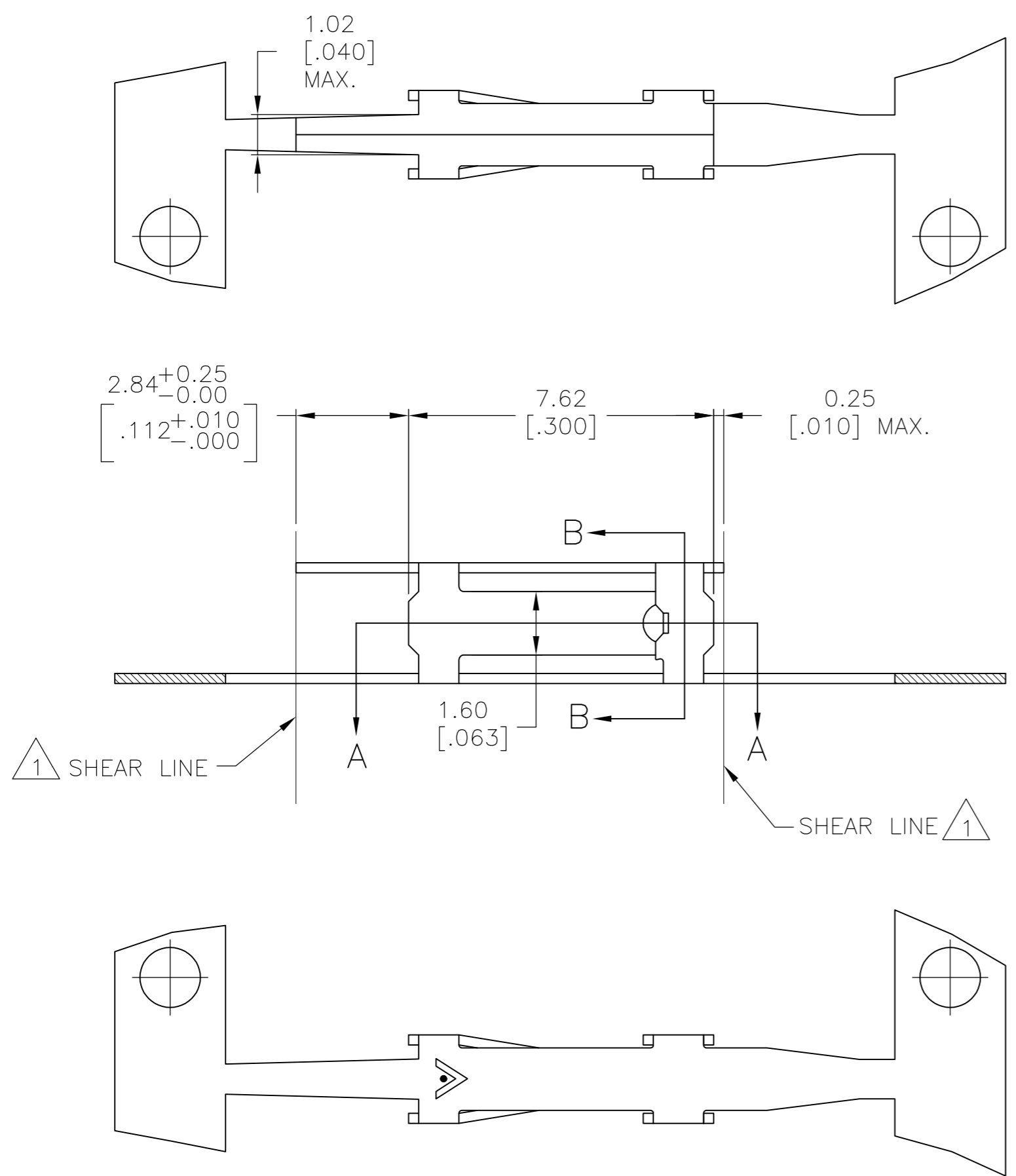
LOC	DIST	REVISIONS			
P	LTR	DESCRIPTION	DATE	DWN	APVD
AD	39	G1	REVISED PER ECO-11-005806	22MAR11	HMR JO

D

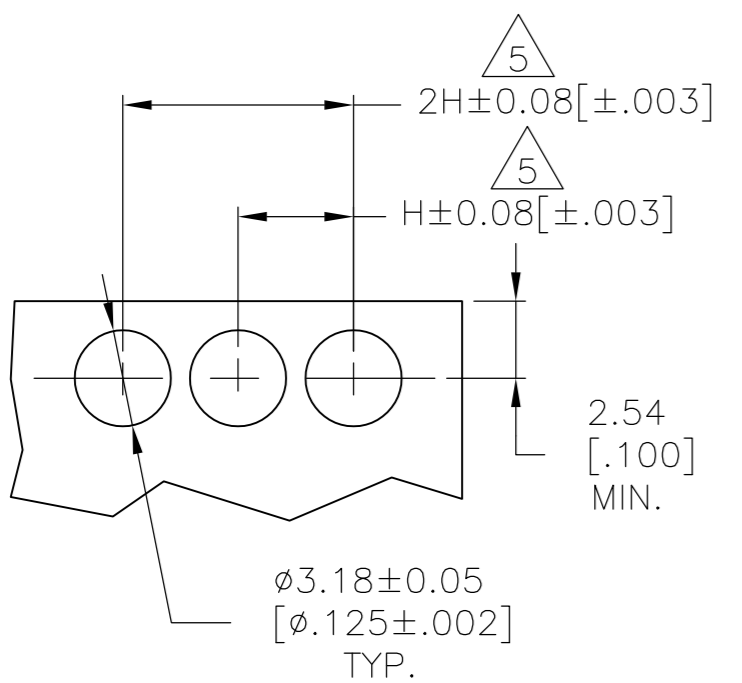
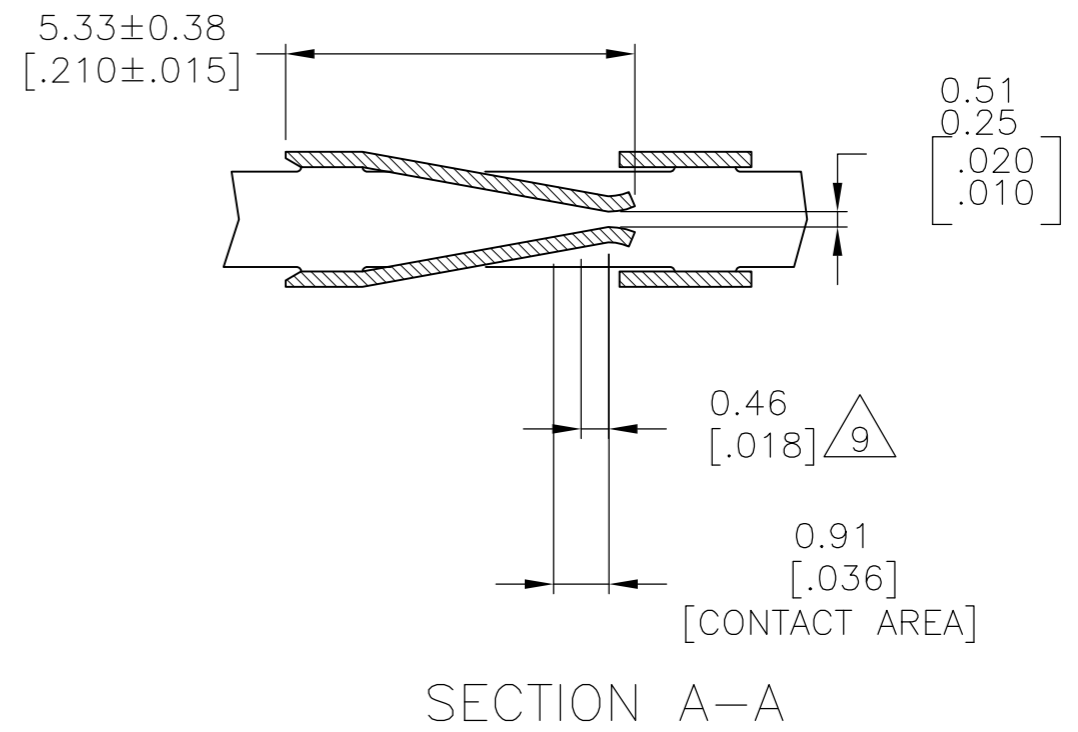
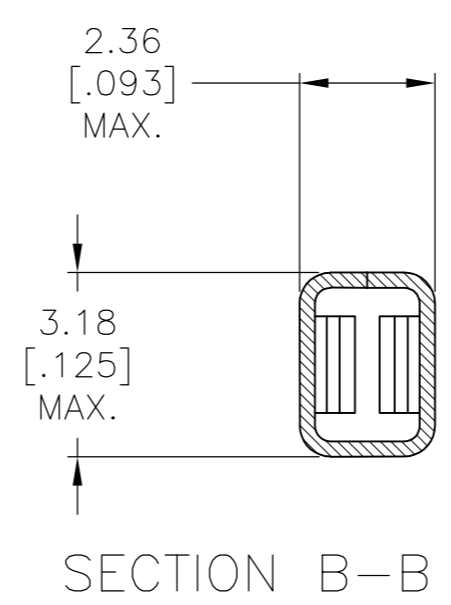
C

B

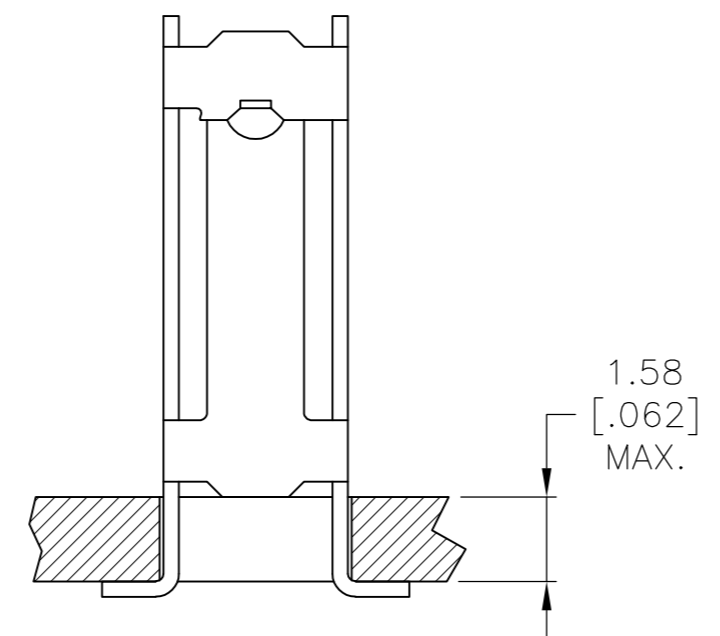
A



- 1 SHEAR LINES DEFINE LOOSE PIECE PART.
- 2 FOR USE WITH AMPMODU MINIATURE APPLICATOR.
- 3 CONTACT MATERIAL: 0.25[.010] COMMERCIAL PHOSPHOR BRONZE.
- 4 GOLD FLASH OVER 0.00127[.000050] NICKEL ENTIRE CONTACT, 0.00038[.000015] GOLD ON CONTACT AREA
- 5 "H", (RECEPTACLE CENTERS) MAY VARY DEPENDING ON REQUIREMENTS, MINIMUM NOMINAL CENTER SPACING BETWEEN ADJACENT RECEPTACLES IS 3.81±0.08[.150±.003]
- 6 0.00200 [.000079] MIN TIN.
- 7 0.00038[.000015] GOLD IN CONTACT AREA, 0.00254-0.00508[.000100-.000200] BRIGHT TIN-LEAD IN TERMINATION AREA, ALL OVER 0.00127[.000050] NICKEL.
- 8 0.00076[.000030] GOLD IN CONTACT AREA, 0.00254-0.00508[.000100-.000200] BRIGHT TIN-LEAD IN TERMINATION AREA, ALL OVER 0.00127[.000050] NICKEL.
- 9 POINT OF MEASUREMENT FOR PLATING THICKNESS.



RECOMMENDED P.C. BOARD LAYOUT



TYPICAL APPLICATION

	-	6	3	87316-7
OBSOLETE	87509-4	8	3	87316-5
OBSOLETE	87509-3	7	3	87316-4
	87509-2	6	3	87316-3
	-	-	-	-
OBSOLETE	87509-1	4	3	87316-1
	LOOSE PIECE PART NO	FINISH	MATERIAL	PART NUMBER

THIS DRAWING IS A CONTROLLED DOCUMENT.		DWN E.BRANDBERG 7-14-94	Tyco Electronics Corporation Harrisburg, PA 17105-3608	
DIMENSIONS: mm [INCHES]		CHK J. HERRINGTON 7-14-94	NAME J. HERRINGTON	
TOLERANCES UNLESS OTHERWISE SPECIFIED:		APVD J. HERRINGTON 7-14-94	PRODUCT SPEC	
0 PLC ± -		APPLICATION SPEC		
1 PLC ± -		WEIGHT -		
2 PLC ± -		SIZE A2		
3 PLC ± 0.13[.005]		CAGE CODE 00779		
4 PLC ± -		DRAWING NO C=87316		
ANGLES ± -		RESTRICTED TO -		
FINISH		SCALE 8:1		
SEE TABLE		SHEET 1 OF 1		
		REV G1		

X-ON Electronics

Largest Supplier of Electrical and Electronic Components

Click to view similar products for [Headers & Wire Housings](#) category:

Click to view products by [TE Connectivity](#) manufacturer:

Other Similar products are found below :

[95000-104TRLF](#) [10135584-644402LF](#) [DF62W-EP2022PCA](#) [95000-106TRLF](#) [DF62W-2022SCA](#) [DF62W-EP2022PC](#) [2203348](#) [DF62W-2022SC](#) [1084018](#) [1029039](#) [1084017](#) [802-10-012-10-002000](#) [1112640](#) [1112639](#) [000-34000](#) [0009482033](#) [0009507031](#) [57102-S06-03LF](#) [57202-S52-04LF](#) [PCN6-15S-2.5E](#) [0039019024](#) [58102-G61-06LF](#) [582553-1](#) [0009508121](#) [0050291907](#) [018731A](#) [LY20-4P-DT1-P1E-BR](#) [02.125.8002.8](#) [60101931](#) [60598-1 \(Cut Strip\)](#) [M1625-3R/100](#) [61062-3](#) [61082-181009](#) [636-1427](#) [638009-1](#) [641938-9](#) [641991-4](#) [644168-1](#) [647662-1](#) [65039-019ELF](#) [65817-002LF](#) [65817-015LF](#) [65863-015LF](#) [66207-023LF](#) [67016-026LF](#) [67046-001LF](#) [67095-007LF](#) [68002-116](#) [68016-236H](#) [68648-049](#)