

© COPYRIGHT 1975 BY AMP INCORPORATED, HARRISBURG, PA. ALL INTERNATIONAL RIGHTS RESERVED. AMP INCORPORATED PRODUCTS COVERED BY U. S. AND FOREIGN PATENTS AND/OR PATENTS PENDING.

REVISIONS						
P	F	ZONE	LTR	DESCRIPTION	DATE	APPROVED
		F		PLASTIC MATERIAL SUPPLIER CHANGED FOR HOUSING	05MAY2021	SB KJK

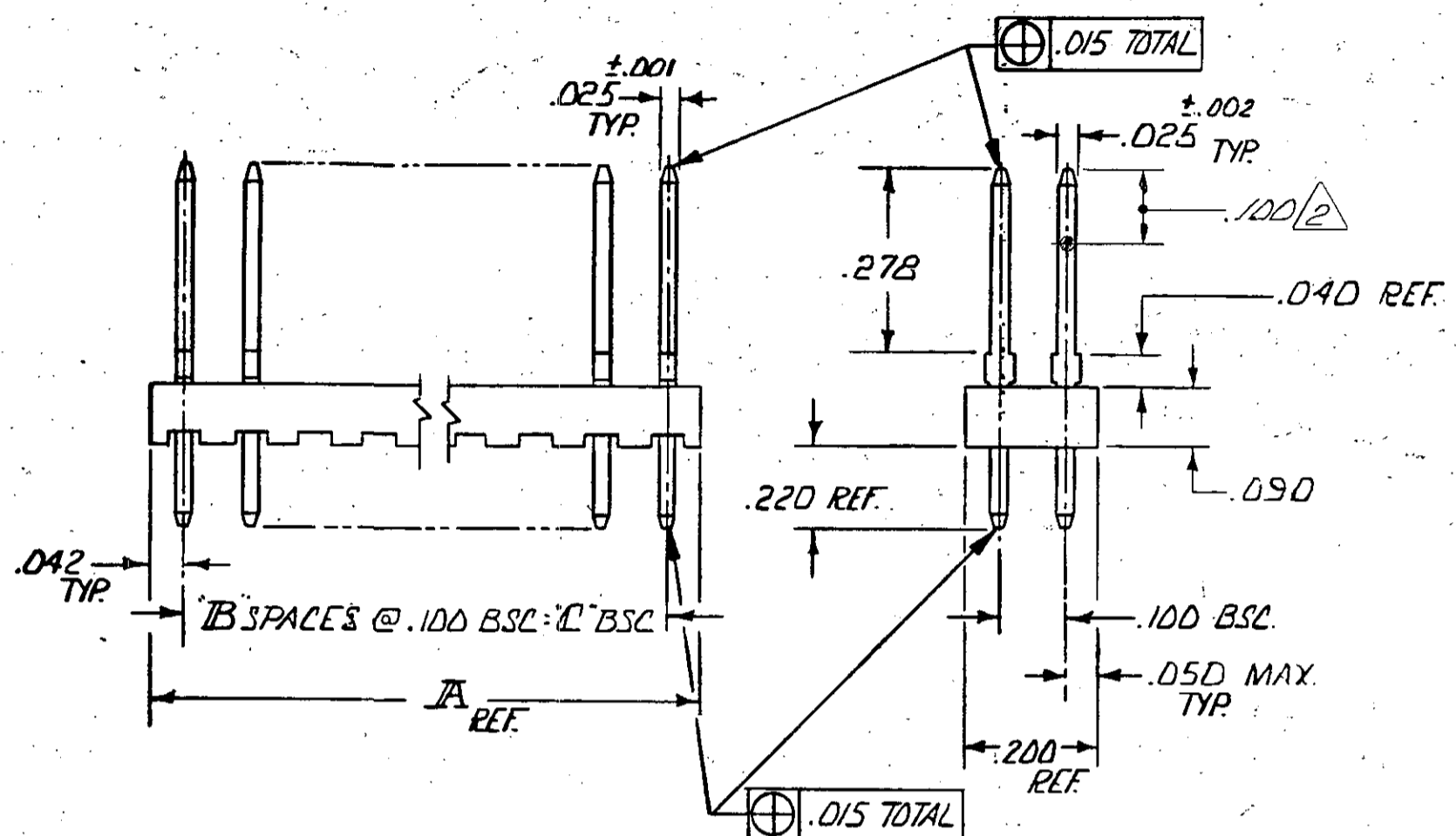
PART NO.	NO. OF PDS.	B	C	A
<del>87346-1</del>	20	9	.900	.984
<del>2</del>	26	12	1.200	1.284
<del>3</del>	4	1	.100	.184
<del>4</del>	50	24	2.400	2.484
<del>5</del>	10	4	.400	.484
<del>6</del>	40	19	1.900	1.984
<del>7</del>	2	—	—	.084
<del>8</del>	6	2	.200	.284
<del>9</del>	8	3	.300	.384
1-87346-0	12	5	.500	.584
1- <del>1</del>	14	6	.600	.684
1- <del>2</del>	16	7	.700	.784
1- <del>3</del>	18	8	.800	.884
1- <del>4</del>	22	10	1.000	1.084
1- <del>5</del>	24	11	1.100	1.184
1- <del>6</del>	28	13	1.300	1.384
1- <del>7</del>	30	14	1.400	1.484
1- <del>8</del>	32	15	1.500	1.584
1- <del>9</del>	34	16	1.600	1.684
2-87346-0	36	17	1.700	1.784
2- <del>1</del>	38	18	1.800	1.884
2- <del>2</del>	42	20	2.000	2.084
2- <del>3</del>	44	21	2.100	2.184
2- <del>4</del>	46	22	2.200	2.284
2- <del>5</del>	48	23	2.300	2.384
2- <del>6</del>	52	25	2.500	2.584
2- <del>7</del>	54	26	2.600	2.684
2- <del>8</del>	56	27	2.700	2.784
2- <del>9</del>	58	28	2.800	2.884
3-87346-0	60	29	2.900	2.984
3- <del>1</del>	62	30	3.000	3.084
3- <del>2</del>	64	31	3.100	3.184
3- <del>3</del>	66	32	3.200	3.284
3- <del>4</del>	68	33	3.300	3.384
3- <del>5</del>	70	34	3.400	3.484
3- <del>6</del>	72	35	3.500	3.584
3- <del>7</del>	74	36	3.600	3.684
3- <del>8</del>	76	37	3.700	3.784
3- <del>9</del>	78	38	3.800	3.884
4-87346-0	80	39	3.900	3.984

OBSOLETE 4

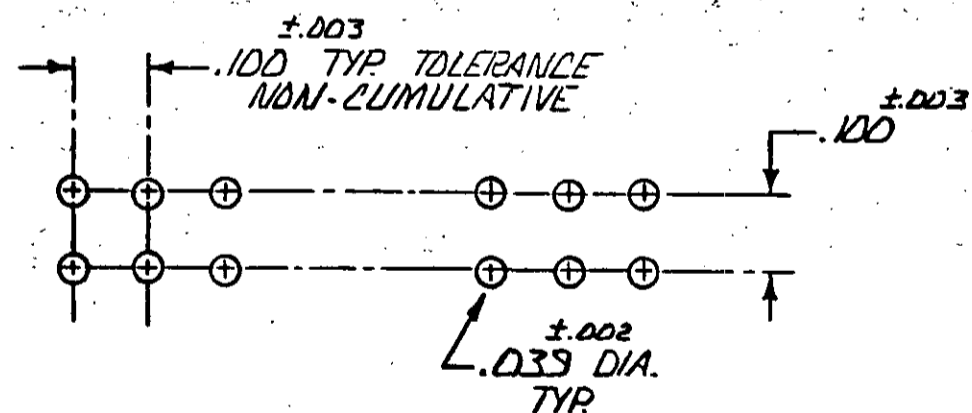
OBSOLETE 4

OBSOLETE 4

OBSOLETE 4



- 1. TRUE POSITION TOLERANCE OF POST TIPS APPLIES WHEN HEADERS ARE HELD FLAT AGAINST PRINTED CIRCUIT BOARD.
- 2. POINT OF MEASUREMENT FOR PLATING THICKNESS.
- 3. OBSOLETE PART NUMBER.
- 4. OBSOLETE PARTS: OBSOLETE CIS STREAMLINING PER D.RENAUD/D.SINISI



RECOMMENDED HOLE LAYOUT

UNLESS OTHERWISE SPECIFIED DIMENSIONS ARE IN INCHES. TOLERANCES ON: DECIMALS ±.005 ANGLES ±		CONTRACT NO		PART NO	
MATERIAL HSB. - GLASS FILLED NYLON COLOR: BLACK POST - PHOS. BRONZE		DR D. [Signature] 7/10/75		NAME	
FINISH POST - .000015 GOLD OVER .000050 NICKEL		CHK B. [Signature] 7-11-75		HOUSING ASSEMBLY, MOD II, .100 x .100 GRID, DBL. ROW	
		APPD B. [Signature] 7/29/75		SIZE CODE IDENT NO DRAWING NO	
		APPD R. [Signature] 7/29/75		C 00779 87346	
		DSGN APPD		SCALE	
		OTHER APPD		SHEET 1 of 1	
				REV F	

## X-ON Electronics

Largest Supplier of Electrical and Electronic Components

*Click to view similar products for [Headers & Wire Housings](#) category:*

*Click to view products by [TE Connectivity](#) manufacturer:*

Other Similar products are found below :

[892-18-020-10-001101](#) [58102-G61-06LF](#) [582553-1](#) [0009485154](#) [009176003701906](#) [0050291907](#) [LY20-4P-DT1-P1E-BR](#) [02.125.8002.8](#)  
[609-3404](#) [61062-3](#) [61082-181009](#) [622-3653LF](#) [63453-116](#) [636-1030](#) [636-1427](#) [636-3427](#) [636-4007](#) [641938-9](#) [641991-4](#) [644827-2](#) [65817-](#)  
[010LF](#) [65817-015LF](#) [65863-015LF](#) [66207-023LF](#) [67095-007LF](#) [67601157](#) [68645-018](#) [68648-049](#) [70.362.1628.0](#) [70-4210](#) [70-4226B](#) [70-](#)  
[4853B](#) [707-5020](#) [707-5028](#) [71.350.2428.0](#) [71918-208LF](#) [71961-016LF](#) [733-134](#) [733-162](#) [754199-000](#) [760-3052](#) [787-8014-00](#) [79531-3000](#)  
[FCN-360C032-B](#) [FCN-367T-T012/H](#) [FCN-723D010/2](#) [80.063.4001.1](#) [800-90-001-10-001000](#) [800-90-010-10-002000](#) [801-43-002-10-013000](#)