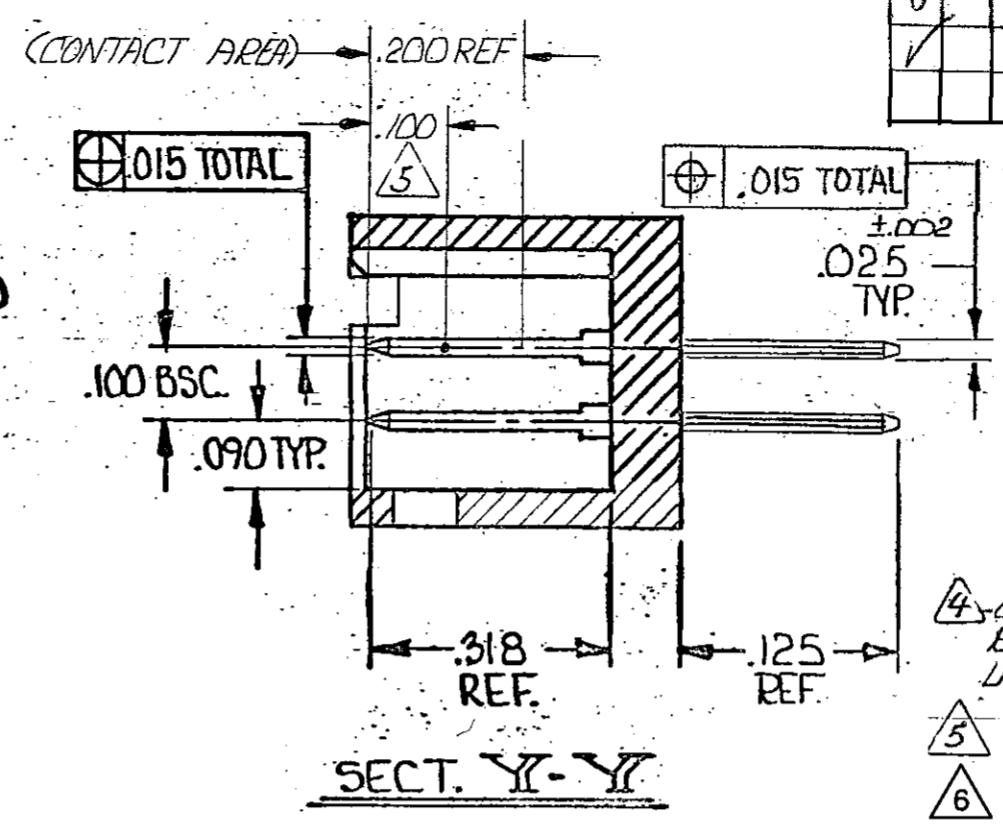
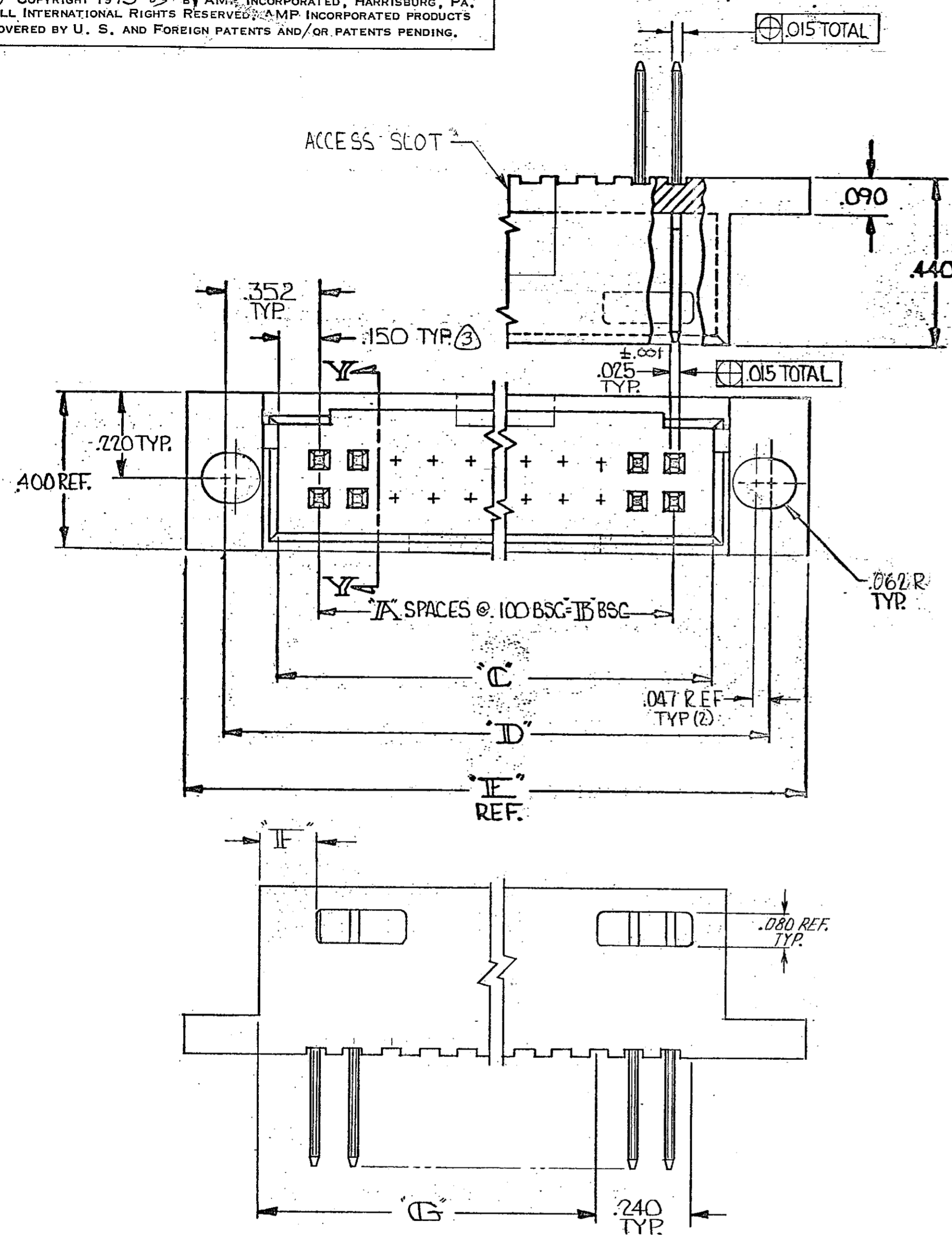


© COPYRIGHT 1975-83 BY AMP INCORPORATED, HARRISBURG, PA. ALL INTERNATIONAL RIGHTS RESERVED. AMP INCORPORATED PRODUCTS COVERED BY U. S. AND FOREIGN PATENTS AND/OR PATENTS PENDING.

REVISIONS							
P. F.	ZONE	LTR.	DESCRIPTION		DATE	APPROVED	
✓		G	REV PER AD-5084		2-91	RF	
✓		H	REV PER AD-5161		2-91	RF	
✓		J	REV PER 0010-0981-93		RAC 9-93	JL	
✓		K	REV PER 0310-0146-96		ED 2-27-97	SAS	
✓		L	REV PER 0310-0437-97		CB 12-3-97	SAS	
		L1	REVISED PER ECO-10-000445		JAN10	HMR	



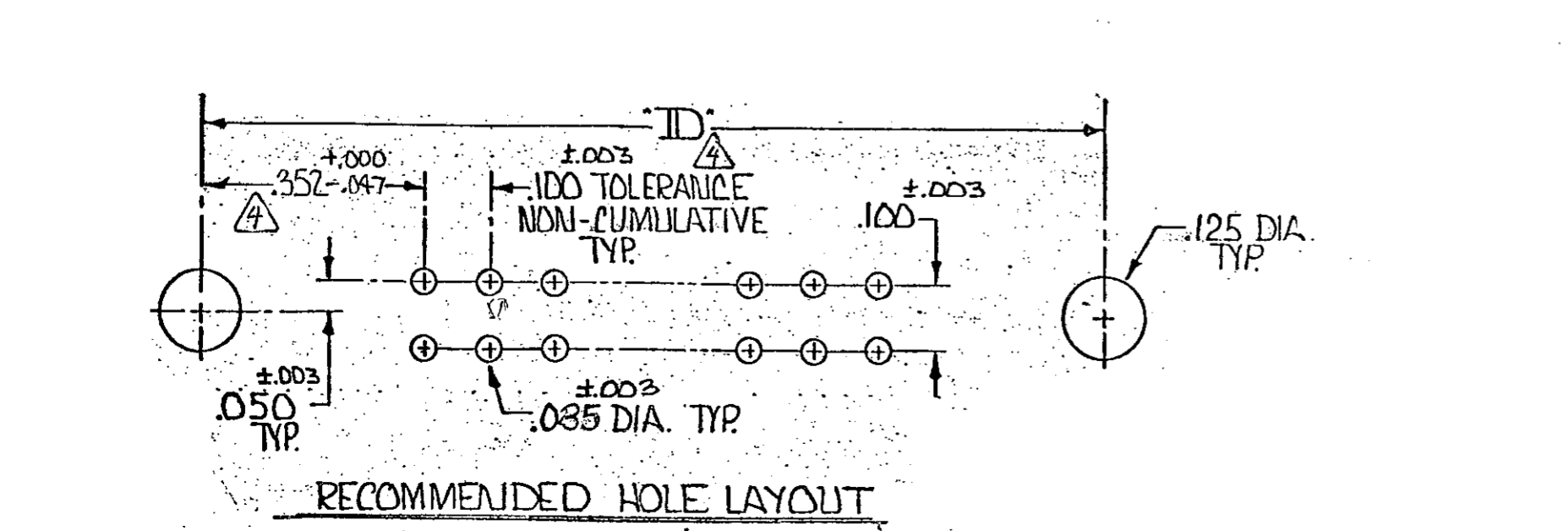
△ .000030 GOLD ON CONTACT AREA, GOLD FLASH ON SOLDER AREA ALL OVER .000050 MIN. NICKEL ON ENTIRE POST.

③ WILL ALSO MATE WITH OTHER CONNECTORS WHICH ARE COMPATIBLE WITH THE .150 END DIM AND WILL MATE W/MOD IV HAVING FOUR EXTRA EMPTY CIRCUITS (TWO EA. END) --- EX: 20 POS. POST HEADER WILL MATE WITH 24 POS. MOD IV HOUSING.

④ CUSTOMER P.C. BRD. LAYOUT MAY VARY WITHIN THIS RANGE. WHEN MATING WITH MOD IV CONNECTORS UTILIZING JACKSCREW HARDWARE USE D-.091" AND .305 TYP.

⑤ POINT OF MEASUREMENT FOR PLATING THICKNESS.

⑥ OBSOLETE PARTS: OBSOLETE CIS STREAMLINING PER D.RENAUD/D.SINISI



2.890	.190	3.804	3.604	3.100	2.900	29	①	60	2-87474-6
2.790		3.704	3.504	3.100	2.800	28		58	2-5
2.690		3.604	3.404	3.000	2.700	27		56	2-4
2.590		3.504	3.304	2.900	2.600	26		54	2-3
2.490		3.404	3.204	2.800	2.500	25		52	2-2
2.390		3.304	3.104	2.700	2.400	24		50	2-1
2.290		3.204	3.004	2.600	2.300	23		48	2-0
2.190		3.104	2.904	2.500	2.200	22		46	2-0
2.090		3.004	2.804	2.400	2.100	21		44	1-9
1.990		2.904	2.704	2.300	2.000	20		42	1-8
1.890		2.804	2.604	2.200	1.900	19		40	1-7
1.790		2.704	2.504	2.100	1.800	18		38	1-6
1.690		2.604	2.404	2.000	1.700	17		36	1-5
1.590		2.504	2.304	1.900	1.600	16		34	1-4
1.490		2.404	2.204	1.800	1.500	15		32	1-3
1.390		2.304	2.104	1.700	1.400	14		30	1-2
1.290		2.204	2.004	1.600	1.300	13		28	1-1
1.190		2.104	1.904	1.500	1.200	12		26	1-0
1.090		2.004	1.804	1.400	1.100	11		24	0-9
0.990	.190	1.904	1.704	1.300	1.000	10		22	0-8
OBSOLETE	.490	1.704	1.504	1.100	.800	8		18	0-7
OBSOLETE	.390	1.604	1.404	1.000	.700	7		16	0-6
⑥ OBSOLETE	.390	1.504	1.304	.900	.600	6		14	0-5
OBSOLETE	.290	1.404	1.204	.800	.500	5		12	0-4
2.390	.190	3.304	3.104	2.700	2.400	24	△	50	87474-7
1.890	.190	2.804	2.604	2.200	1.900	19		40	1-6
OBSOLETE	.190	2.704	2.504	2.100	1.800	18		38	1-5
1.590	.190	2.504	2.304	1.900	1.600	16		34	1-4
⑥ OBSOLETE	.190	2.104	1.904	1.500	1.200	12		26	1-3
.890	.190	1.804	1.604	1.200	.900	9		20	1-2
	.290	1.304	1.104	.700	.400	4	△	10	87474-1

UNLESS OTHERWISE SPECIFIED DIMENSIONS ARE IN INCHES. TOLERANCES ON: DECIMALS ±.005 ANGLES		CONTRACT NO 10-13-75		AMP INCORPORATED Harrisburg, Pa.	
MATERIAL HSG. = GLASS FILLED NYLON COLOR - BLACK POST - PHOS. BRONZE		DR: K. Wolfe CHK: DM. [Signature] 10-14-75		NAME HEADER ASSY., MOD II, .015 SQ. POST, DBL. ROW, .100 x .100 CENTERS, W/ MTG. EARS & DETENT SLOTS (MATES W/ AMP LATCH OR FFC) (2)	
FINISH SEE TABLE		APPD: B. Bennett APPD: C. [Signature] 10/14/75		SIZE CODE IDENT NO DRAWING NO C 00779 87474	
		OTHER APPD:		SCALE SHEET	

X-ON Electronics

Largest Supplier of Electrical and Electronic Components

Click to view similar products for [Headers & Wire Housings](#) category:

Click to view products by [TE Connectivity](#) manufacturer:

Other Similar products are found below :

[892-18-020-10-001101](#) [58102-G61-06LF](#) [582553-1](#) [0009485154](#) [009176003701906](#) [0050291907](#) [LY20-4P-DT1-P1E-BR](#) [02.125.8002.8](#)
[609-3404](#) [61062-3](#) [61082-181009](#) [622-3653LF](#) [63453-116](#) [636-1030](#) [636-1427](#) [636-3427](#) [636-4007](#) [641938-9](#) [641991-4](#) [644827-2](#) [65817-](#)
[010LF](#) [65817-015LF](#) [65863-015LF](#) [66207-023LF](#) [67095-007LF](#) [67601157](#) [68645-018](#) [68648-049](#) [70.362.1628.0](#) [70-4210](#) [70-4226B](#) [70-](#)
[4853B](#) [707-5020](#) [707-5028](#) [71.350.2428.0](#) [71918-208LF](#) [71961-016LF](#) [733-134](#) [733-162](#) [754199-000](#) [760-3052](#) [787-8014-00](#) [79531-3000](#)
[FCN-360C032-B](#) [FCN-367T-T012/H](#) [FCN-723D010/2](#) [80.063.4001.1](#) [800-90-001-10-001000](#) [800-90-010-10-002000](#) [801-43-002-10-013000](#)