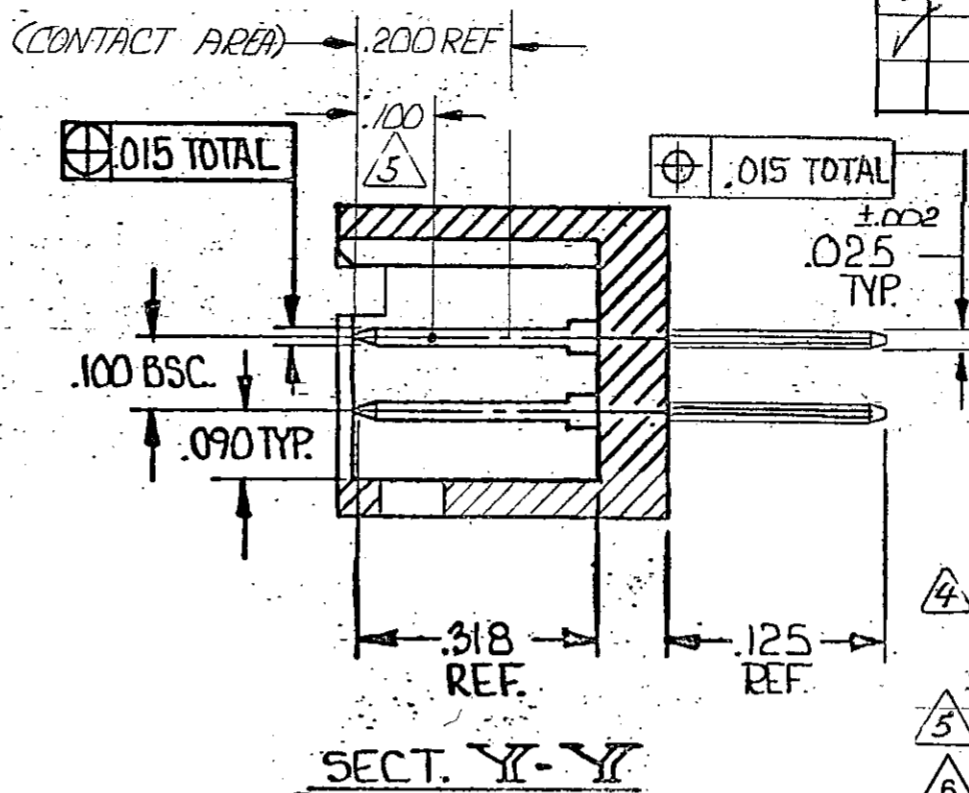
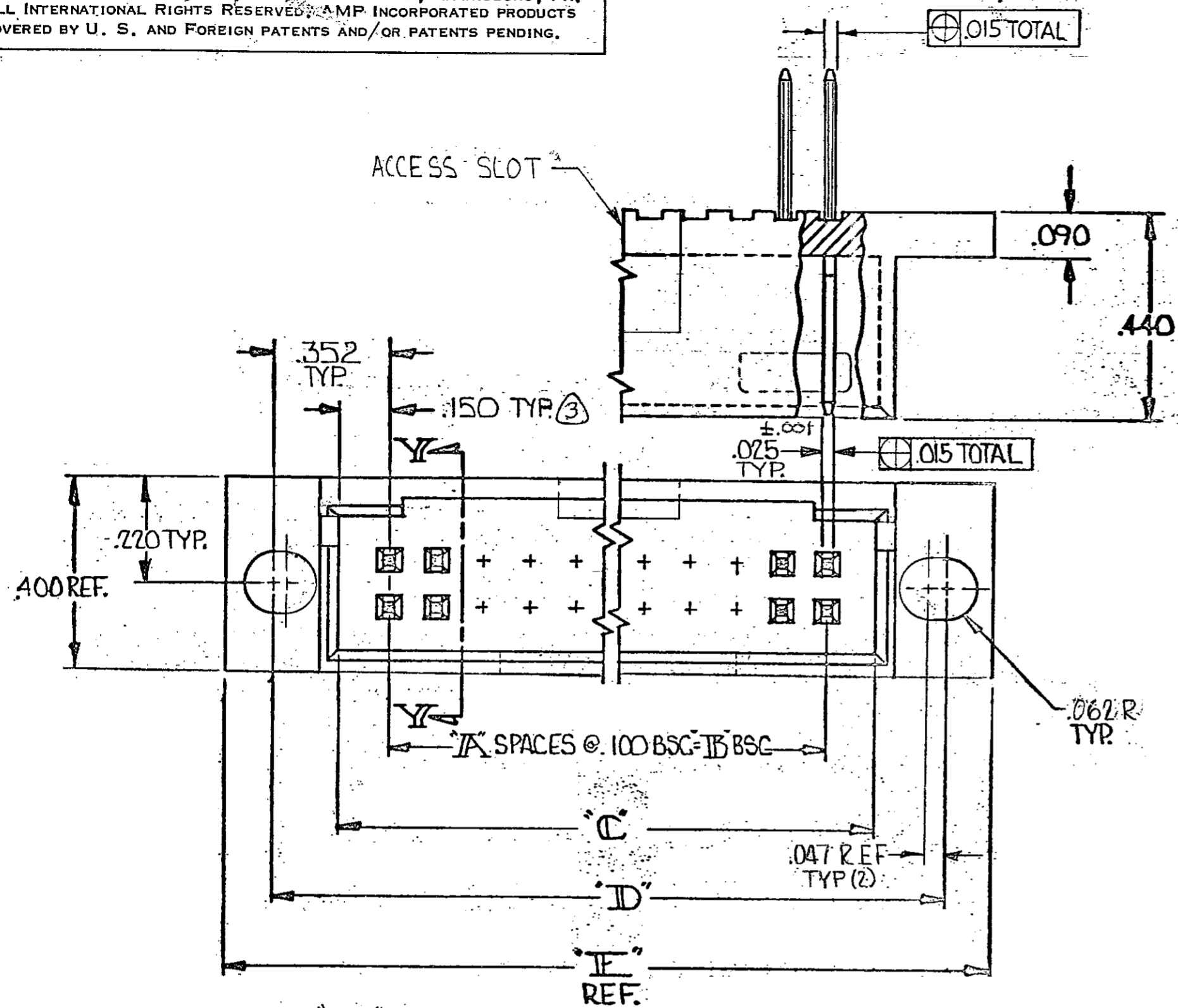


© COPYRIGHT 1975-83 BY AMP INCORPORATED, HARRISBURG, PA.
ALL INTERNATIONAL RIGHTS RESERVED. AMP INCORPORATED PRODUCTS
COVERED BY U. S. AND FOREIGN PATENTS AND/OR PATENTS PENDING.

REVISIONS							DATE	APPROVED
P	F	ZONE	LTR	DESCRIPTION	DATE	APPROVED		
✓			G	REV PER AD-5084	2-1-91	RF		
✓			H	REV PER AD-5161	2-1-91	RF		
✓			J	REV PER 0010-0931-93	RAC 9-93	JL		
✓			K	REV PER 0310-0146-96	ED 2-27-97	SAS		
✓			L	REV PER 0310-0437-97	CB 12-3-97	SAS		
			L1	REVISED PER ECO-10-000445	JAN10	HMR		



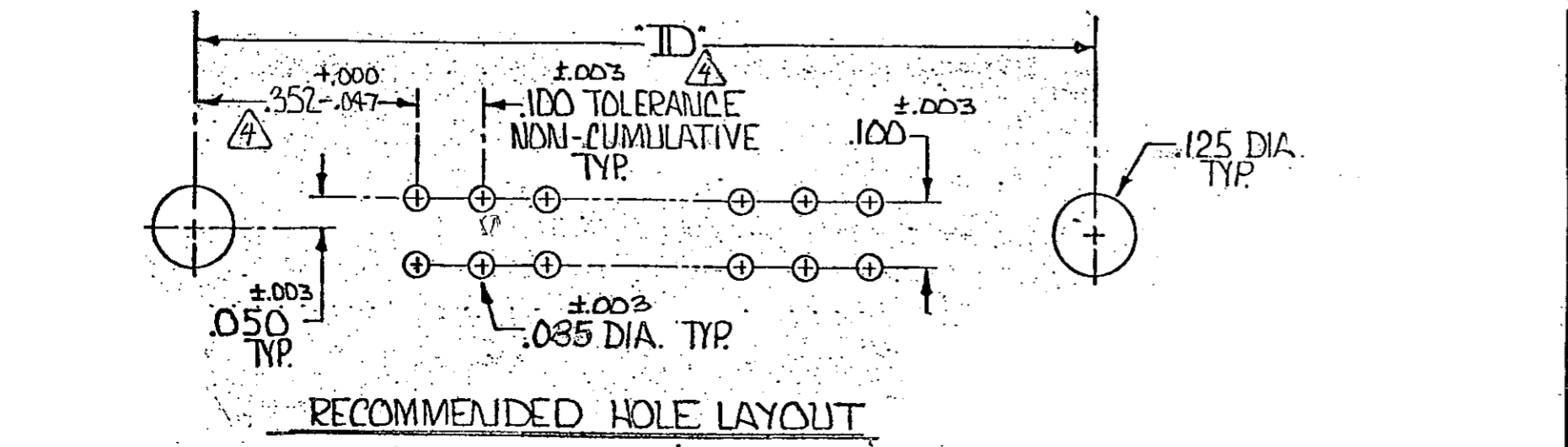
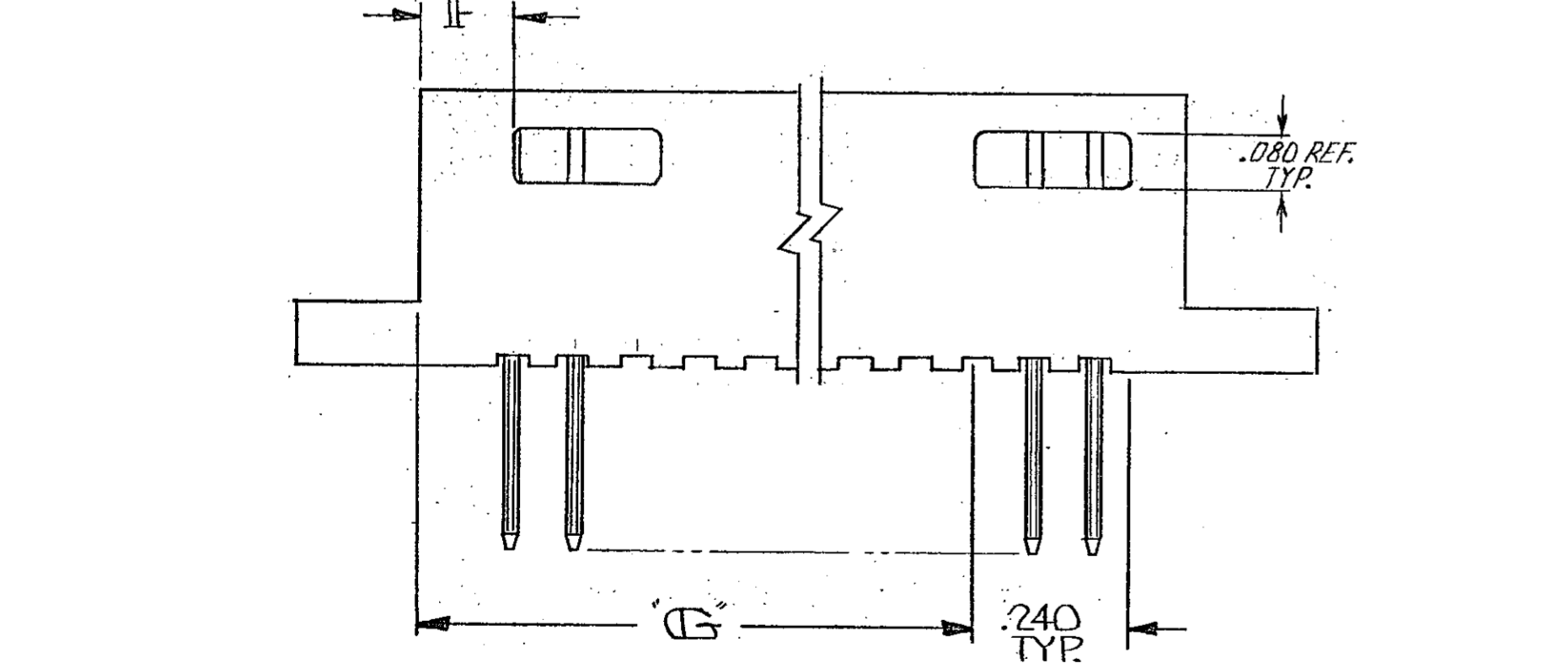
① .000030 GOLD ON CONTACT AREA, GOLD FLASH ON SOLDER AREA ALL OVER .000050 MIN. NICKEL ON ENTIRE POST.

② WILL ALSO MATE WITH OTHER CONNECTORS WHICH ARE COMPATIBLE WITH THE .150 END DIM AND WILL MATE W/MOD IV HAVING FOUR EXTRA EMPTY CIRCUITS (TWO EA. END) --- EX: 20 POS. POST HEADER WILL MATE WITH 24 POS. MOD IV HOUSING.

④ CUSTOMER P.C. BRD. LAYOUT MAY VARY WITHIN THIS RANGE. WHEN MATING WITH MOD IV CONNECTORS UTILIZING JACKSCREW HARDWARE USE D-.091" AND .305 TYP.

⑤ POINT OF MEASUREMENT FOR PLATING THICKNESS.

⑥ OBSOLETE PARTS: OBSOLETE CIS STREAMLINING PER D.RENAUD/D.SINISI



	2.890	.190	3.804	3.604	3.100	2.900	29	①	60	2-87474-6
	2.790		3.704	3.504	3.100	2.800	28		58	2-87474-5
	2.690		3.604	3.404	3.000	2.700	27		56	2-87474-4
	2.590		3.504	3.304	2.900	2.600	26		54	2-87474-3
	2.490		3.404	3.204	2.800	2.500	25		52	2-87474-2
	2.390		3.304	3.004	2.700	2.400	24		50	2-87474-1
	2.290		3.204	2.804	2.600	2.300	23		48	2-87474-0
	2.190		3.104	2.704	2.500	2.200	22		46	2-87474-0
	2.090		3.004	2.604	2.400	2.100	21		44	2-87474-0
	1.990		2.904	2.504	2.300	2.000	20		42	2-87474-0
	1.890		2.804	2.404	2.200	1.900	19		40	2-87474-0
	1.790		2.704	2.304	2.100	1.800	18		38	2-87474-0
	1.690		2.604	2.204	2.000	1.700	17		36	2-87474-0
	1.590		2.504	2.104	1.900	1.600	16		34	2-87474-0
	1.490		2.404	2.004	1.800	1.500	15		32	2-87474-0
	1.390		2.304	1.904	1.700	1.400	14		30	2-87474-0
	1.290		2.204	1.804	1.600	1.300	13		28	2-87474-0
⑥ OBSOLETE	1.090		2.004	1.604	1.400	1.100	11		24	2-87474-0
OBSOLETE	.990	.190	1.904	1.504	1.300	1.000	10		22	2-87474-0
OBSOLETE	—	.490	1.704	1.304	1.100	.800	8		18	2-87474-0
OBSOLETE	—	.390	1.604	1.204	1.000	.700	7		16	2-87474-0
⑥ OBSOLETE	—	.390	1.504	1.104	.900	.600	6		14	2-87474-0
OBSOLETE	—	.290	1.404	1.004	.800	.500	5		12	2-87474-0
	2.390	.190	3.304	3.104	2.700	2.400	24	①	50	87474-7
	1.890	.190	2.804	2.604	2.200	1.900	19		40	87474-6
OBSOLETE	1.790	.190	2.704	2.504	2.100	1.800	18		38	87474-5
	1.590	.190	2.504	2.304	1.900	1.600	16		34	87474-4
⑥ OBSOLETE	1.190	.190	2.104	1.904	1.500	1.200	12		26	87474-3
	.890	.190	1.804	1.604	1.200	.900	9		20	87474-2
	—	.290	1.304	1.104	.700	.400	4	①	10	87474-1

UNLESS OTHERWISE SPECIFIED DIMENSIONS ARE IN INCHES. TOLERANCES ON: DECIMALS ± .005 ANGLES ± .005		CONTRACT NO 10-13-75		AMP INCORPORATED Harrisburg, Pa.	
MATERIAL HSG. = GLASS FILLED NYLON COLOR - BLACK POST = PHOS. BRONZE		DR: <i>BA Wolfe</i> CHK: <i>DM White</i> APPD: <i>B Bennett</i> APPD: <i>C. Lopinski</i>		NAME HEADER ASSY., MOD II, .025 SQ. POST, DBL. ROW, .100 x .100 CENTERS, W/ MTG. EARS & DETENT SLOTS (MATES W/ AMP LATCH OR FFC) (2)	
FINISH SEE TABLE		DSGN APPD		SIZE CODE IDENT NO DRAWING NO C 00779 87474	
		OTHER APPD		SCALE SHEET	

X-ON Electronics

Largest Supplier of Electrical and Electronic Components

Click to view similar products for [Headers & Wire Housings](#) category:

Click to view products by [TE Connectivity](#) manufacturer:

Other Similar products are found below :

[892-18-020-10-001101](#) [58102-G61-06LF](#) [582553-1](#) [0009485154](#) [009176003701906](#) [0050291907](#) [LY20-4P-DT1-P1E-BR](#) [02.125.8002.8](#)
[609-3404](#) [61062-3](#) [61082-181009](#) [622-3653LF](#) [63453-116](#) [636-1030](#) [636-1427](#) [636-3427](#) [636-4007](#) [641938-9](#) [641991-4](#) [644827-2](#) [65817-](#)
[010LF](#) [65817-015LF](#) [65863-015LF](#) [66207-023LF](#) [67095-007LF](#) [67601157](#) [68645-018](#) [68648-049](#) [70.362.1628.0](#) [70-4210](#) [70-4226B](#) [70-](#)
[4853B](#) [707-5020](#) [707-5028](#) [71.350.2428.0](#) [71918-208LF](#) [71961-016LF](#) [733-134](#) [733-162](#) [754199-000](#) [760-3052](#) [79531-3000](#) [FCN-](#)
[360C032-B](#) [FCN-367T-T012/H](#) [FCN-723D010/2](#) [80.063.4001.1](#) [800-90-001-10-001000](#) [800-90-010-10-002000](#) [801-43-002-10-013000](#)
[801-43-006-10-002000](#)