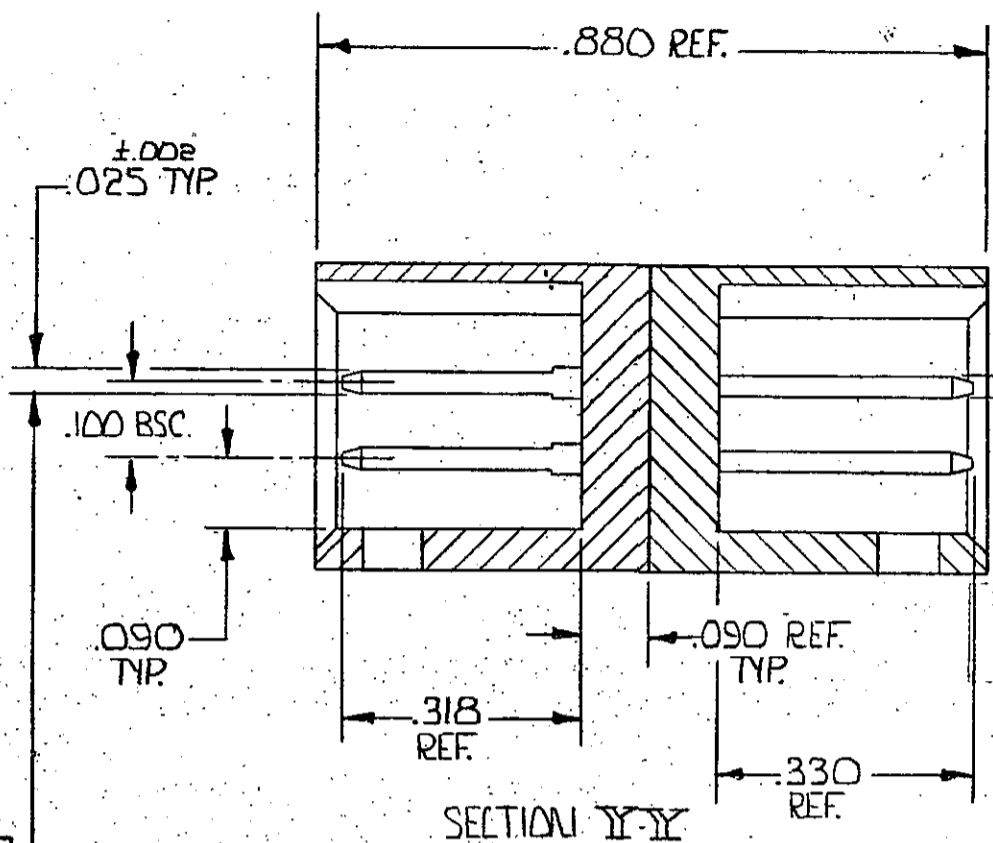
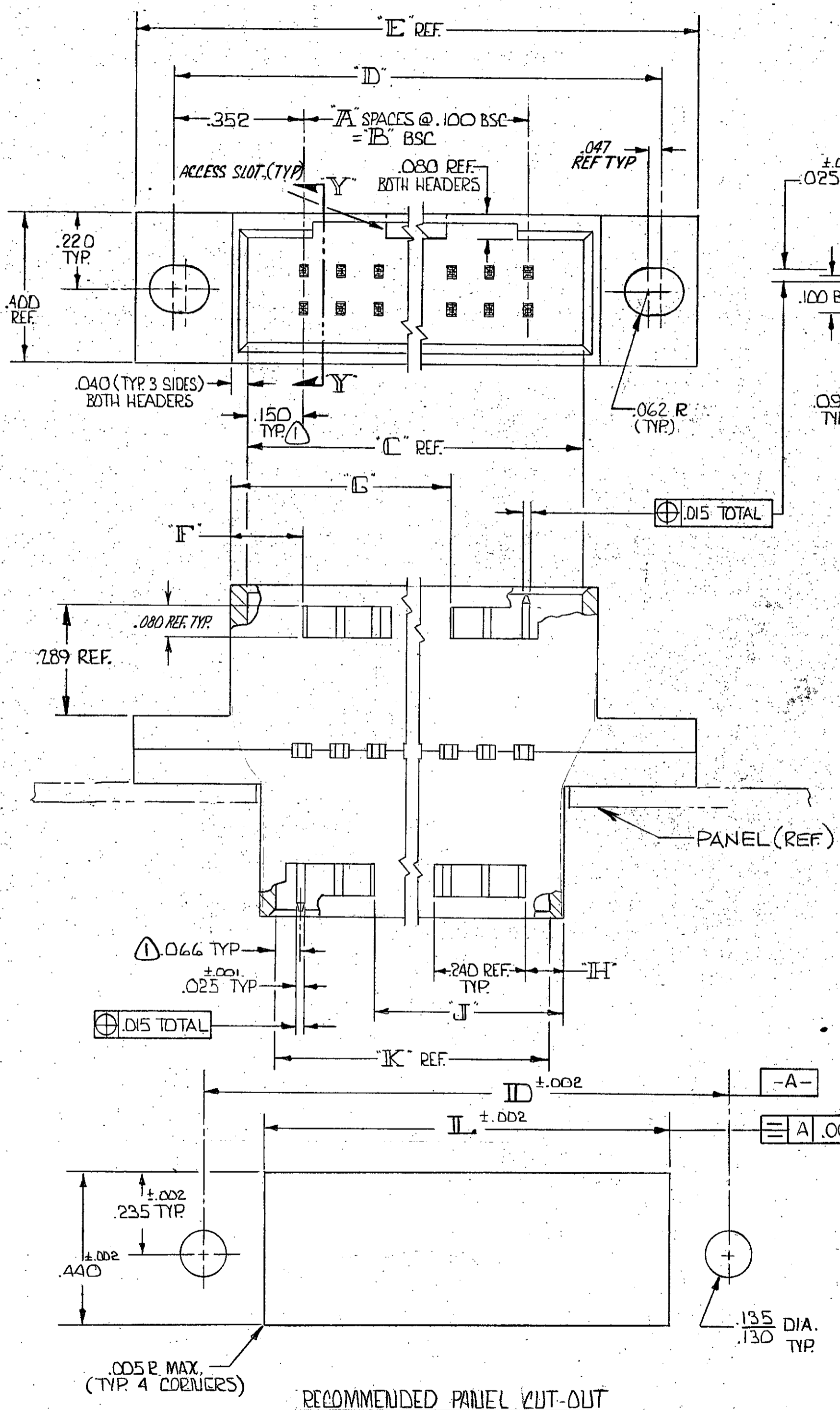


© COPYRIGHT

REVISIONS				DATE	APPROVED
P	F	ZONE	LTR		
		F2		31MAR11	HMR
DESCRIPTION					
REVISED PER ECO-11-005140					



- ① WILL ALSO MATE W/OTHER CONNECTORS WHICH ARE COMPATIBLE WITH THE .066 & .150 END DIMS.
- ② OBSOLETE PART NUMBER
- ③ OBSOLETE PARTS: OBSOLETE CIS STREAMLINING PER D.RENAUD/D.SINISI

	L	K	J	H	G	F	E	D	C	B	A	NO. OF POS.	PART NO
③ OBSOLETE	3.132	3.032	2.806	.106	2.890	.190	3.804	3.604	3.200	2.900	29	60	2-87496-6
	3.032	2.932	2.706		2.790		3.704	3.504	3.100	2.800	28	58	2-△ -5
	2.932	2.832	2.606		2.690		3.604	3.404	3.000	2.700	27	56	2-△ -4
	2.832	2.732	2.506		2.590		3.504	3.304	2.900	2.600	26	54	2-△ -3
	2.732	2.632	2.406		2.490		3.404	3.204	2.800	2.500	25	52	2-△ -2
	2.532	2.432	2.206		2.290		3.204	3.004	2.600	2.300	23	48	2-△ -1
	2.432	2.332	2.106		2.190		3.104	2.904	2.500	2.200	22	46	2-△ -0
	2.332	2.232	2.006		2.090		3.004	2.804	2.400	2.100	21	44	1-△ -9
	2.232	2.132	1.906		1.990		2.904	2.704	2.300	2.000	20	42	1-△ -8
③ OBSOLETE	2.132	2.032	1.806		1.890		2.804	2.604	2.200	1.900	19	40	1-△ -7
	2.032	1.932	1.706		1.790		2.704	2.504	2.100	1.800	18	38	1-△ -6
	1.932	1.832	1.606		1.690		2.604	2.404	2.000	1.700	17	36	1-△ -5
③ OBSOLETE	1.832	1.732	1.506		1.590		2.504	2.304	1.900	1.600	16	34	1-△ -4
	1.732	1.632	1.406		1.490		2.404	2.204	1.800	1.500	15	32	1-△ -3
③ OBSOLETE	1.632	1.532	1.306		1.390		2.304	2.104	1.700	1.400	14	30	1-△ -2
	1.532	1.432	1.206		1.290		2.204	2.004	1.600	1.300	13	28	1-△ -1
③ OBSOLETE	1.432	1.332	1.106		1.190		2.104	1.904	1.500	1.200	12	26	1-87496-0
	1.332	1.232	1.006		1.090		2.004	1.804	1.400	1.100	11	24	1-△ -9
	1.232	1.132	.906		.990		1.904	1.704	1.300	1.000	10	22	1-△ -8
	1.132	1.032	.806	.106	.890	.190	1.804	1.604	1.200	.900	9	20	1-△ -7
	1.032	.932	—	.406	—	.490	1.704	1.504	1.100	.800	8	18	1-△ -6
	.932	.832	—	.306	—	.390	1.604	1.404	1.000	.700	7	16	1-△ -5
	.832	.732	—	.306	—	.390	1.504	1.304	.900	.600	6	14	1-△ -4
	.732	.632	—	.206	—	.290	1.404	1.204	.800	.500	5	12	1-△ -3
	.632	.532	—	.206	—	.290	1.304	1.104	.700	.400	4	10	1-△ -2
	2.732	2.532	2.306	.106	2.390	.190	3.304	3.104	2.700	2.400	24	50	87496-1

UNLESS OTHERWISE SPECIFIED DIMENSIONS ARE IN INCHES. TOLERANCES ON: DECIMALS ±.005 ANGLES ±	CONTRACT NO	
	DR <i>D. Meyer</i> 8/21/75	
MATERIAL NSG. - GLASS FILLED NYLON COLOR: BLACK POST - PHOS. BRONZE	CHK <i>D. Meyer</i> 8-22-75	HEADER ASSY. MOD II 100x100 CENTERS WITH PIN. PROTECTION BOTH SIDES & MTG. EARS (MATES W/AMP LATCH OR FCC ONE SIDE) ① & MOD IV OTHER SIDE
	APPD <i>B. Bennett</i> 8/25/75	
FINISH POST - .00030 GOLD OVER .00050 NICKEL	APPD <i>R. Clark</i> 8/25/75	C 00779 87496
	DSGN APPD	
OTHER APPD		SHEET 10-1

X-ON Electronics

Largest Supplier of Electrical and Electronic Components

Click to view similar products for [Headers & Wire Housings](#) category:

Click to view products by [TE Connectivity](#) manufacturer:

Other Similar products are found below :

[892-18-020-10-001101](#) [58102-G61-06LF](#) [582553-1](#) [0009485154](#) [009176003701906](#) [0050291907](#) [LY20-4P-DT1-P1E-BR](#) [02.125.8002.8](#)
[609-3404](#) [61062-3](#) [61082-181009](#) [622-3653LF](#) [63453-116](#) [636-1030](#) [636-1427](#) [636-3427](#) [636-4007](#) [641938-9](#) [641991-4](#) [644827-2](#) [65817-](#)
[010LF](#) [65817-015LF](#) [65863-015LF](#) [66207-023LF](#) [67095-007LF](#) [67601157](#) [68645-018](#) [68648-049](#) [70.362.1628.0](#) [70-4210](#) [70-4226B](#) [70-](#)
[4853B](#) [707-5020](#) [707-5028](#) [71.350.2428.0](#) [71918-208LF](#) [71961-016LF](#) [733-134](#) [733-162](#) [754199-000](#) [760-3052](#) [79531-3000](#) [FCN-](#)
[360C032-B](#) [FCN-367T-T012/H](#) [FCN-723D010/2](#) [80.063.4001.1](#) [800-90-010-10-002000](#) [801-43-002-10-013000](#) [801-43-006-10-002000](#)
[801-93-011-10-001000](#)