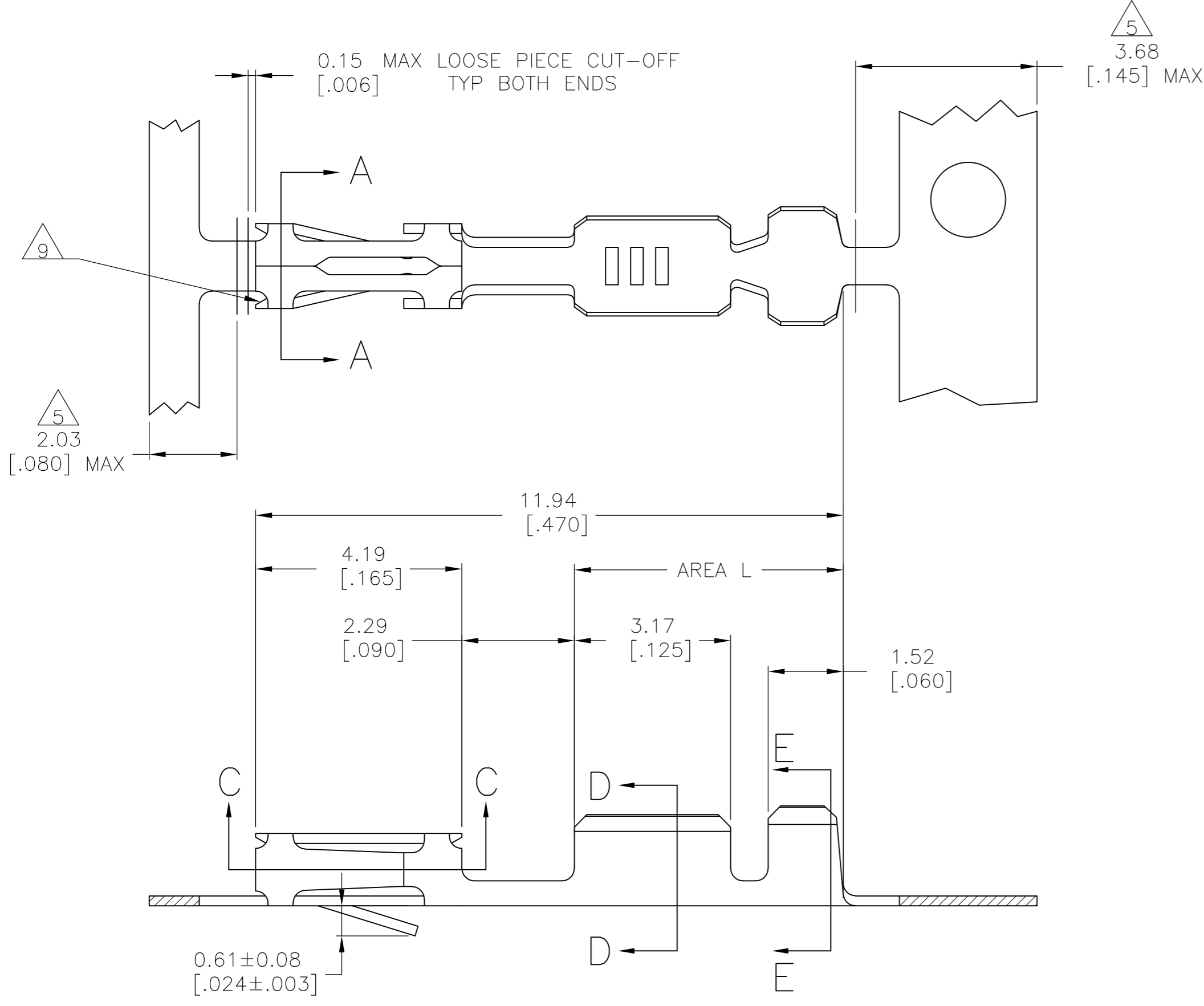
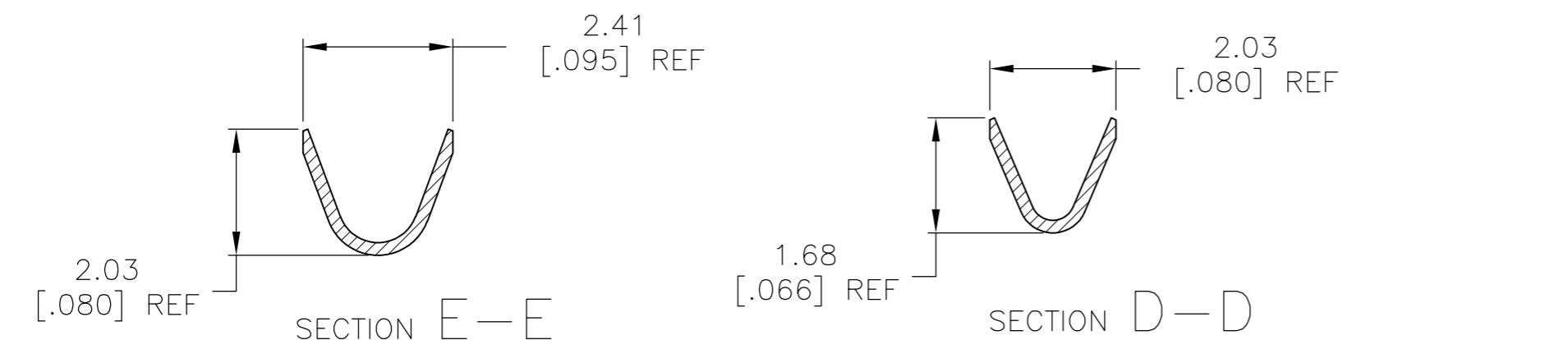
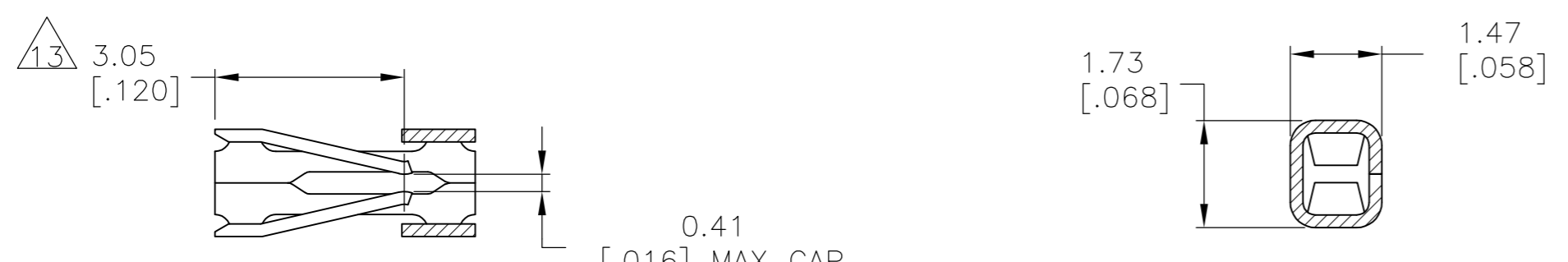


THIS DRAWING IS UNPUBLISHED. RELEASED FOR PUBLICATION
 © COPYRIGHT - By - ALL RIGHTS RESERVED.

LOC	DIST	REVISIONS			
P	LTR	DESCRIPTION	DATE	DWN	APVD
AD	00	U2	REVISED PER ECO-11-004587	11MAR11	RK HMR



- 1 GOLD FLASH OVER 0.00127[.000050] NICKEL,.000762[.000030] GOLD ON CONTACT AREA.
- 2 GOLD FLASH OVER 0.00127[.000050] NICKEL,.000381[.000015] GOLD ON CONTACT AREA.
- 3 PREPLATED .00127-.00381 (.000050-.000150) BRIGHT TIN.
- 4 REELED FOR MINI APPLICATOR.
- 5 GOLD PLATING NOT REQUIRED - THIS AREA.
- 6 REELED FOR STANDARD APPLICATOR
- 7 0.000127[.000050] NICKEL OVER ENTIRE CONTACT, 0.000381[.000015] GOLD IN CONTACT AREA.
- 8 SHEARED EDGES ARE PERMITTED TO BE UNPLATED.
- 9 CUT OUTS ON BOX AT MANUFACTURER'S OPTION.
- 10 0.000381[.000015] GOLD IN CONTACT AREA. 0.00254-0.00508[.000100-.000200] BRIGHT TIN-LEAD IN AREA L, ALL OVER 0.000127[.000050] NICKEL.
- 11 0.000762[.000030] GOLD IN CONTACT AREA. 0.00254-0.00508[.000100-.000200] BRIGHT TIN-LEAD IN AREA L, ALL OVER 0.000127[.000050] NICKEL.
- 12 OBSOLETE PART NUMBER.
- 13 POINT OF MEASUREMENT FOR PLATING THICKNESS(INSIDE BEAMS).
- 14 0.000127[.000050] NICKEL OVER ENTIRE CONTACT, 0.000762[.000030] GOLD IN CONTACT AREA.
- 15 .000015 GOLD IN CONTACT AREA. .000100-.000200 BRIGHT TIN IN AREA L, ALL OVER .000050 NICKEL.
- 16 0.000762[.000030] GOLD IN CONTACT AREA. 0.00254-0.00508[.000100-.000200] MATTE TIN IN AREA L, ALL OVER 0.000127[.000050] NICKEL.



WIRE SIZE #20-#24

DESCRIPTION	FINISH	PART NUMBER
LOOSE PIECE	8/16	6-87523-9
REELED	8/16	6-87523-8
LOOSE PIECE	5/15	2-87523-4
REELED	8/15	2-87523-3
REELED	8/7	2-87523-2
REELED	8/4	2-87523-1
LOOSE PIECE	8/11	1-87523-9
REELED	8/11	1-87523-8
LOOSE PIECE	8/10	1-87523-6
REELED	8/10	1-87523-5
LOOSE PIECE	7/8	1-87523-4
REELED	7/8	1-87523-3
REELED	3	1-87523-0
REELED	2/5	87523-9
REELED	1/5	87523-8
LOOSE PIECE	2/5	87523-7
LOOSE PIECE	3	87523-6
REELED	3	87523-5
REELED	2/5	87523-4
LOOSE PIECE	1/5	87523-3
REELED	1/5	87523-2
DESCRIPTION	FINISH	PART NUMBER

17 OBSOLETE PARTS: OBSOLETE CIS STREAMLININGPERD.RENAUD/D.SINISI

THIS DRAWING IS A CONTROLLED DOCUMENT.		DWN E.BRANDBERG 5-5-94	TE Connectivity	
DIMENSIONS: mm [INCHES]		CHK B. STAUCH 5-5-94		
TOLERANCES UNLESS OTHERWISE SPECIFIED:		APVD B.STAUCH 5-5-94	NAME CONTACT, MOD IV CRIMP SNAP-IN RECEPTACLE	
0 PLC ± -	1 PLC ± -	PRODUCT SPEC	SIZE A2	CAGE CODE 00779
2 PLC ± 0.13[.005]	3 PLC ± -	APPLICATION SPEC	DRAWING NO C=87523	RESTRICTED TO -
4 PLC ± -	ANGLES ± -	FINISH SEE TABLE	WEIGHT -	SCALE 10:1
MATERIAL CU-SN-P, ALY 521	FINISH SEE TABLE	CUSTOMER DRAWING	SHEET 1 OF 1	REV U2

X-ON Electronics

Largest Supplier of Electrical and Electronic Components

Click to view similar products for [Headers & Wire Housings](#) category:

Click to view products by [TE Connectivity](#) manufacturer:

Other Similar products are found below :

[892-18-020-10-001101](#) [58102-G61-06LF](#) [582553-1](#) [0009485154](#) [009176003701906](#) [0050291907](#) [LY20-4P-DT1-P1E-BR](#) [02.125.8002.8](#)
[609-3404](#) [61062-3](#) [61082-181009](#) [622-3653LF](#) [63453-116](#) [636-1030](#) [636-1427](#) [636-3427](#) [636-4007](#) [641938-9](#) [641991-4](#) [644827-2](#) [65817-](#)
[010LF](#) [65817-015LF](#) [65863-015LF](#) [66207-023LF](#) [67095-007LF](#) [67601157](#) [68645-018](#) [68648-049](#) [70.362.1628.0](#) [70-4210](#) [70-4226B](#) [70-](#)
[4853B](#) [707-5020](#) [707-5028](#) [71.350.2428.0](#) [71918-208LF](#) [71961-016LF](#) [733-134](#) [733-162](#) [754199-000](#) [760-3052](#) [787-8014-00](#) [79531-3000](#)
[FCN-360C032-B](#) [FCN-367T-T012/H](#) [FCN-723D010/2](#) [80.063.4001.1](#) [800-90-001-10-001000](#) [800-90-010-10-002000](#) [801-43-002-10-013000](#)