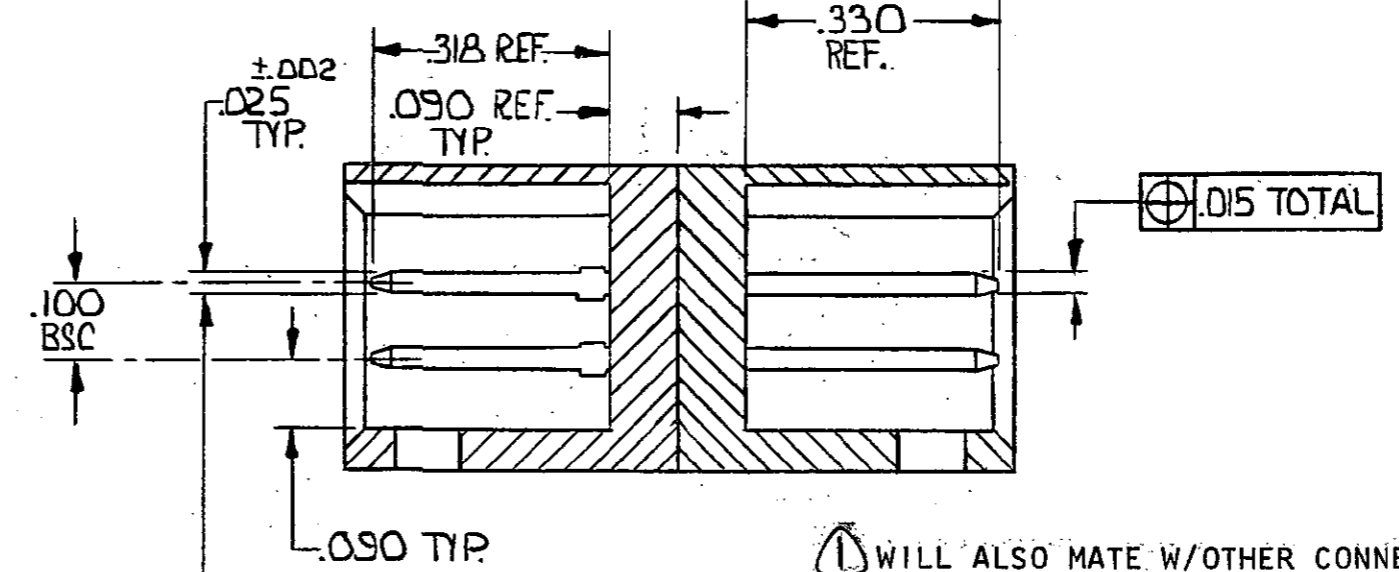
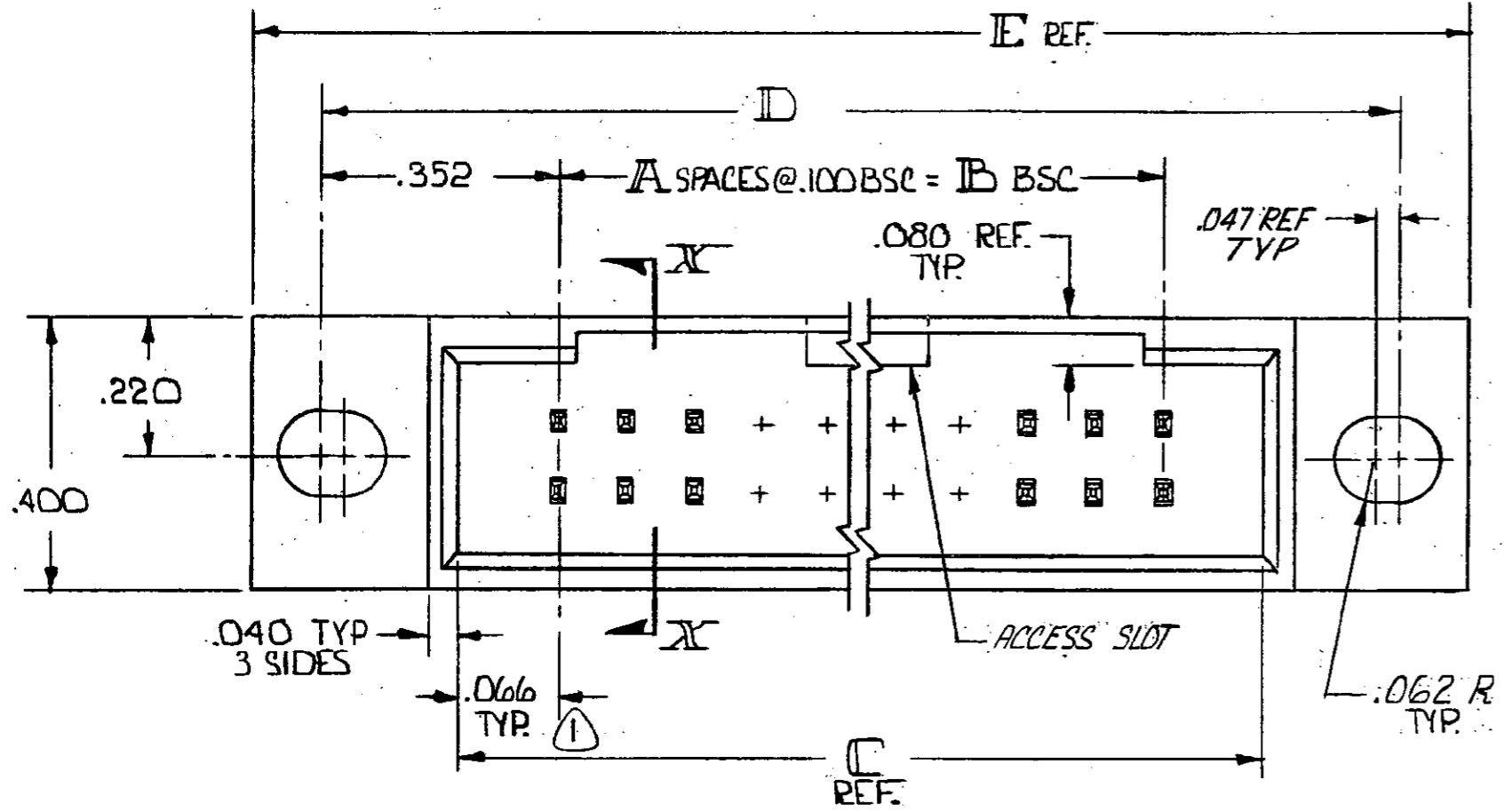


© COPYRIGHT 1975-83 BY AMP INCORPORATED, HARRISBURG, PA.  
 ALL INTERNATIONAL RIGHTS RESERVED. AMP INCORPORATED PRODUCTS  
 COVERED BY U. S. AND FOREIGN PATENTS AND/OR PATENTS PENDING.

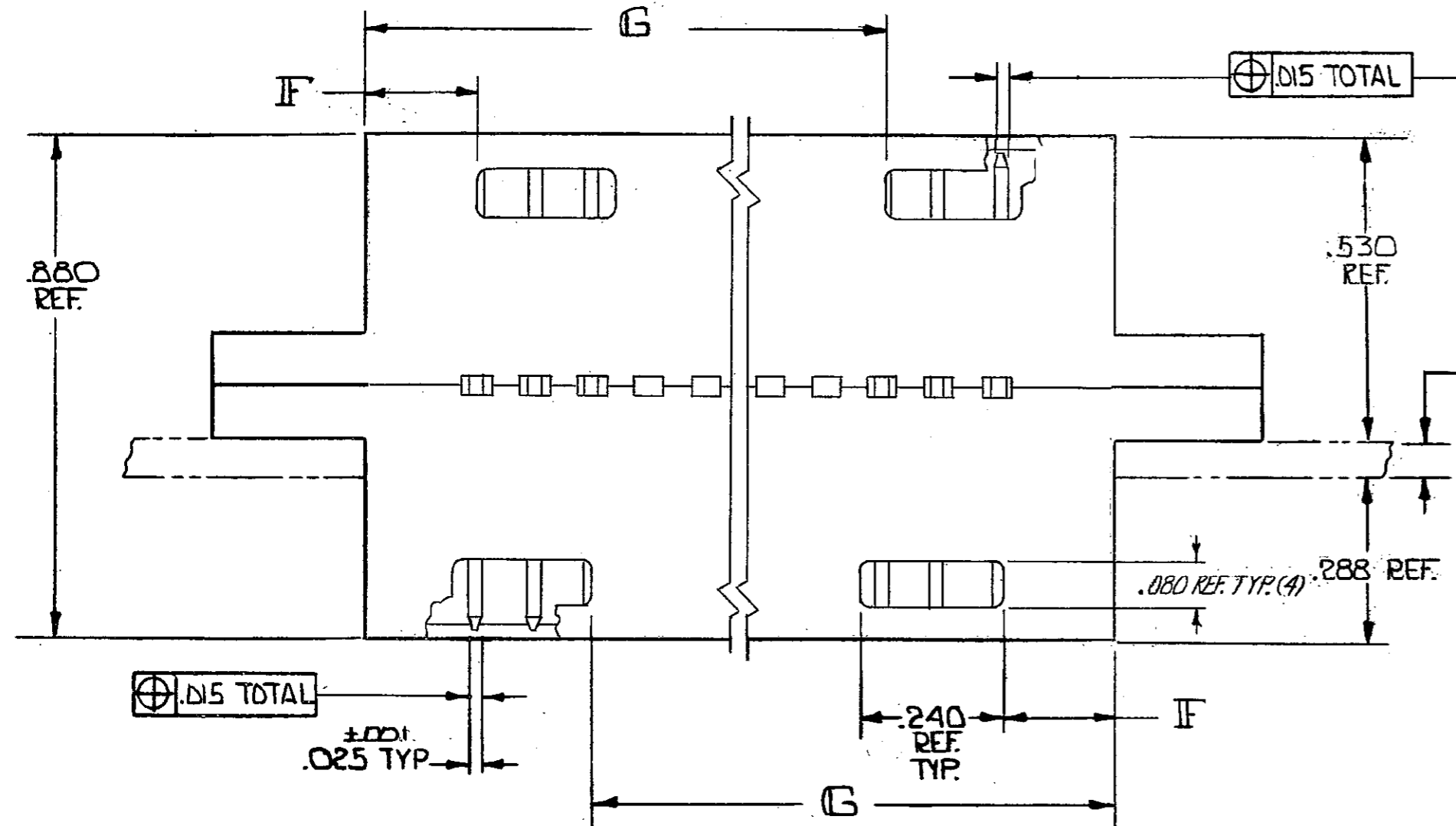
REVISIONS				
P/F	ZONE/LTR	DESCRIPTION	DATE	APPROVED
	G	REV PER 0310-0025-98	04OCT01	JO
	G1	REVISED PER ECO-09-026346	NOV09	AEG



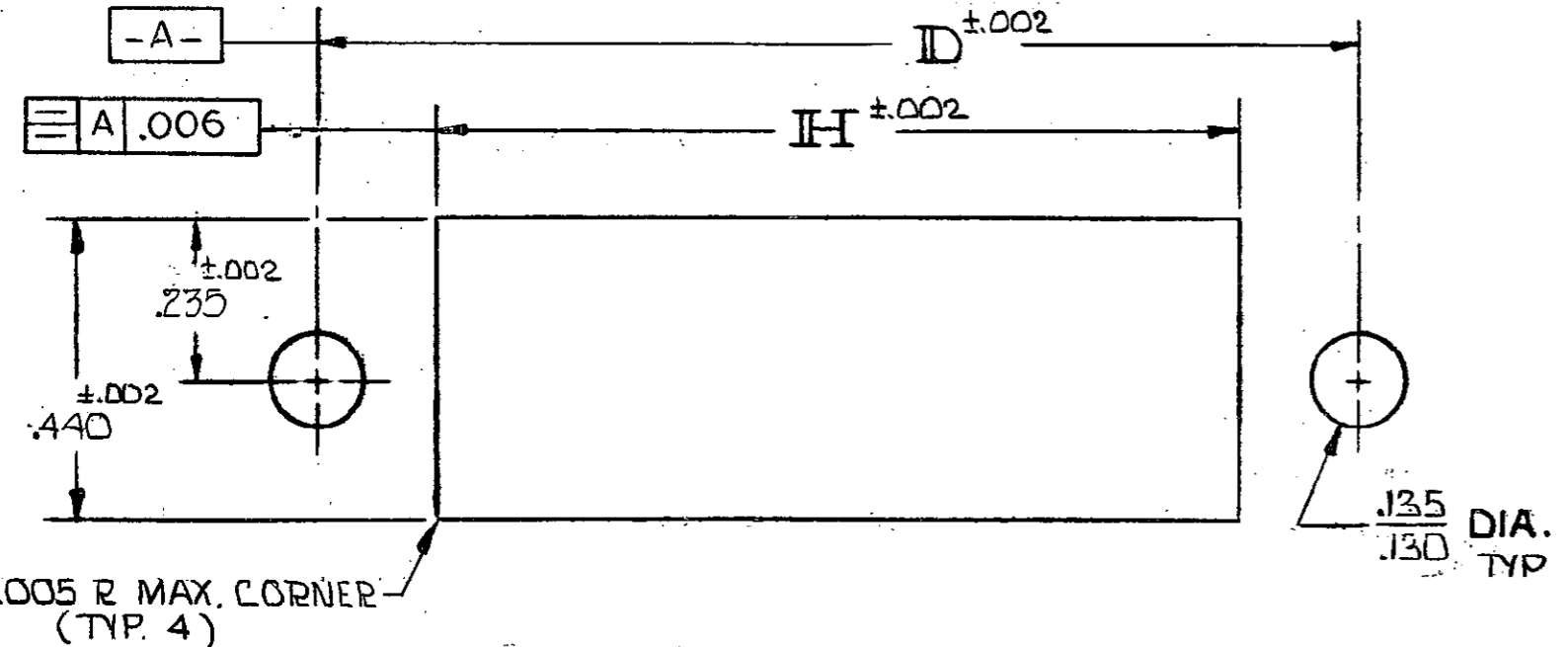
① WILL ALSO MATE W/OTHER CONNECTORS WHICH ARE COMPATIBLE WITH THE .066 END DIM.

△ OBSOLETE PART NUMBER

△ OBSOLETE PARTS: OBSOLETE CIS STREAMLINING PER D.RENAUD/D.SINISI



③ OBSOLETE	3.132	2.806	.106	3.804	3.604	3.032	2.900	29	60	2-87608-6
	3.032	2.706		3.704	3.504	2.932	2.800	28	58	2-△ -5
	2.932	2.606		3.604	3.404	2.832	2.700	27	56	2-△ -4
	2.832	2.506		3.504	3.304	2.732	2.600	26	54	2-△ -3
	2.732	2.406		3.404	3.204	2.632	2.500	25	52	2-△ -2
	2.632	2.306		3.304	3.104	2.532	2.400	24	50	2- -1
	2.532	2.206		3.204	3.004	2.432	2.300	23	48	2-△ -0
	2.432	2.106		3.104	2.904	2.332	2.200	22	46	1-△ -9
	2.332	2.006		3.004	2.804	2.232	2.100	21	44	1-△ -8
	2.232	1.906		2.904	2.704	2.132	2.000	20	42	1-△ -7
	2.132	1.806		2.804	2.604	2.032	1.900	19	40	1- -6
	2.032	1.706		2.704	2.504	1.932	1.800	18	38	1-△ -5
	1.932	1.606		2.604	2.404	1.832	1.700	17	36	1-△ -4
	1.832	1.506		2.504	2.304	1.732	1.600	16	34	1- -3
	1.732	1.406		2.404	2.204	1.632	1.500	15	32	1-△ -2
	1.632	1.306		2.304	2.104	1.532	1.400	14	30	1-△ -1
	1.532	1.206		2.204	2.004	1.432	1.300	13	28	1-△ -0
	1.432	1.106		2.104	1.904	1.332	1.200	12	26	1-△ -9
	1.332	1.006		2.004	1.804	1.232	1.100	11	24	1-△ -8
	1.232	.906		1.904	1.704	1.132	1.000	10	22	1-△ -7
	1.132	.806	.106	1.804	1.604	1.032	.900	9	20	1-△ -6
	1.032	—	.406	1.704	1.504	.932	.800	8	18	1-△ -5
	.932	—	.306	1.604	1.404	.832	.700	7	16	1-△ -4
	.832	—	.206	1.504	1.304	.732	.600	6	14	1-△ -3
	.732	—	.206	1.404	1.204	.632	.500	5	12	1-△ -2
	.632	—	.206	1.304	1.104	.532	.400	4	10	1-△ -1
	H	G	F	E	D	C	B	A	NO. OF POS.	PART NO.



RECOMMENDED PANEL CUT-OUT

UNLESS OTHERWISE SPECIFIED DIMENSIONS ARE IN INCHES. TOLERANCES ON: DECIMALS ±.005 ANGLES	CONTRACT NO	AMP INCORPORATED Harrisburg, Pa.
	DR <i>D. Miller</i> 5/18/75	
MATERIAL HSG'S. - GLASS FILLED NYLON COLOR: BLACK CONTACT - PHOS BRONZE	CHK <i>D. Miller</i> 9-18-75	NAME HEADER ASS'Y., MOD II, .100 x .100 CENTERS, MTG. EARS, W/ PIN PROTECTORS BOTH SIDES MATES W/ MOD IV (BOTH SIDES) △
	APPD <i>Bennett</i> 9/22/75	
FINISH CONTACT - 000030 GOLD OVER 000050 NICKEL	APPD <i>R. Clark</i> 9/22/75	SIZE CODE IDENT NO DRAWING NO
	DSGN APPD	C 00779 87608
OTHER APPD		SCALE SHEET 1 of 1

## X-ON Electronics

Largest Supplier of Electrical and Electronic Components

*Click to view similar products for [Headers & Wire Housings](#) category:*

*Click to view products by [TE Connectivity](#) manufacturer:*

Other Similar products are found below :

[892-18-020-10-001101](#) [58102-G61-06LF](#) [582553-1](#) [0009485154](#) [009176003701906](#) [0050291907](#) [LY20-4P-DT1-P1E-BR](#) [02.125.8002.8](#)  
[609-3404](#) [61062-3](#) [61082-181009](#) [622-3653LF](#) [63453-116](#) [636-1030](#) [636-1427](#) [636-3427](#) [636-4007](#) [641938-9](#) [641991-4](#) [644827-2](#) [65817-](#)  
[010LF](#) [65817-015LF](#) [65863-015LF](#) [66207-023LF](#) [67095-007LF](#) [67601157](#) [68645-018](#) [68648-049](#) [70.362.1628.0](#) [70-4210](#) [70-4226B](#) [70-](#)  
[4853B](#) [707-5020](#) [707-5028](#) [71.350.2428.0](#) [71918-208LF](#) [71961-016LF](#) [733-134](#) [733-162](#) [754199-000](#) [760-3052](#) [79531-3000](#) [FCN-](#)  
[360C032-B](#) [FCN-367T-T012/H](#) [FCN-723D010/2](#) [80.063.4001.1](#) [800-90-010-10-002000](#) [801-43-002-10-013000](#) [801-43-006-10-002000](#)  
[801-93-011-10-001000](#)