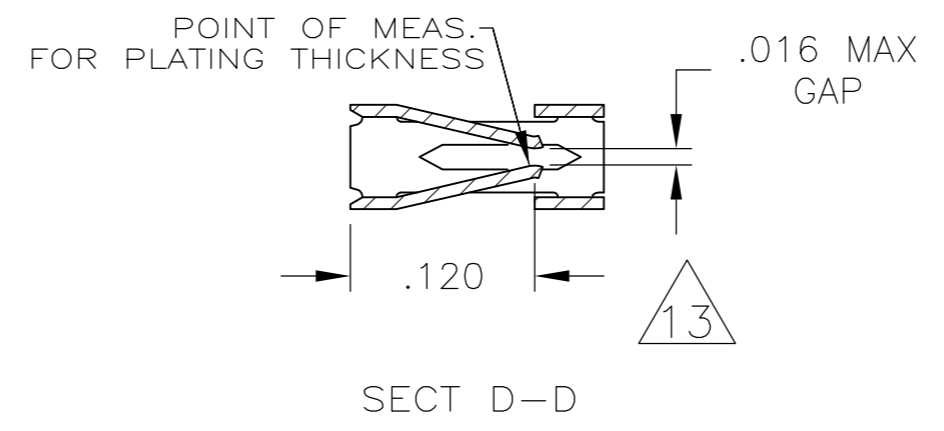
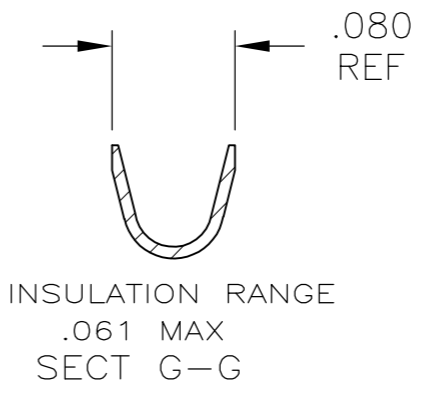
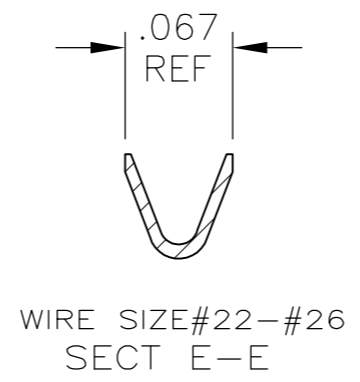
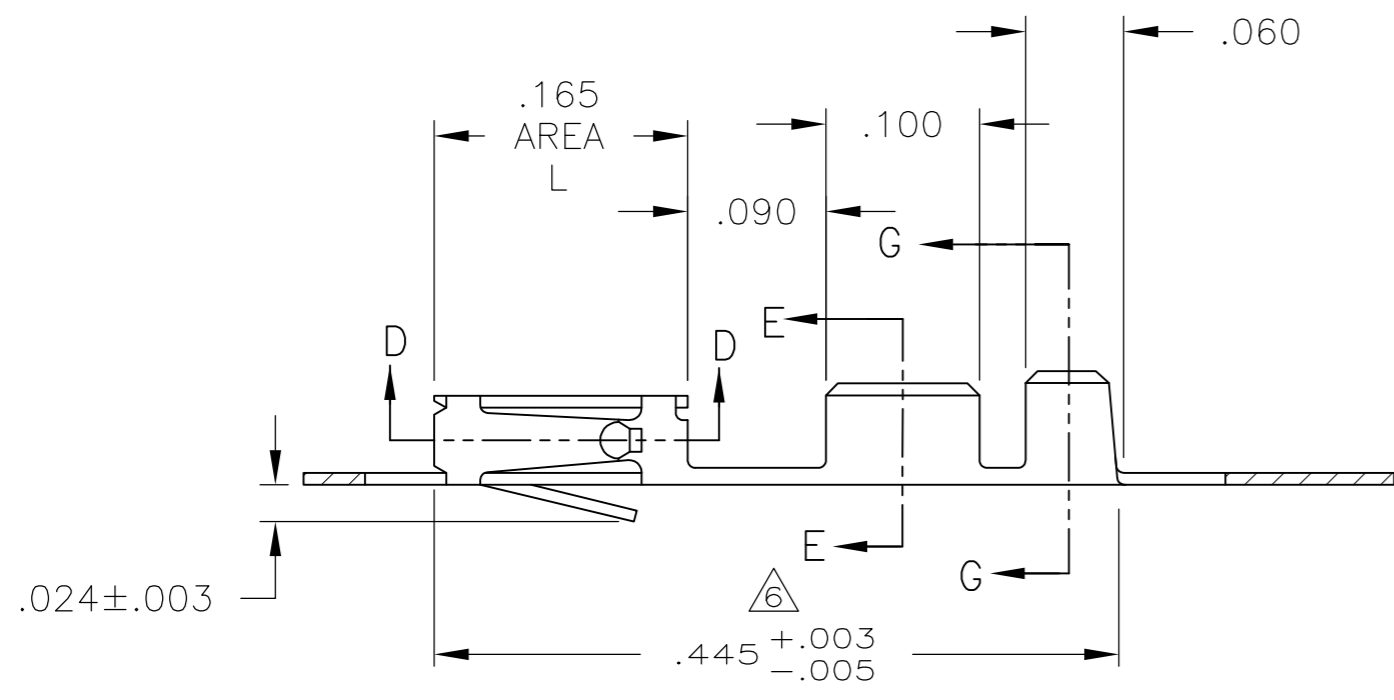
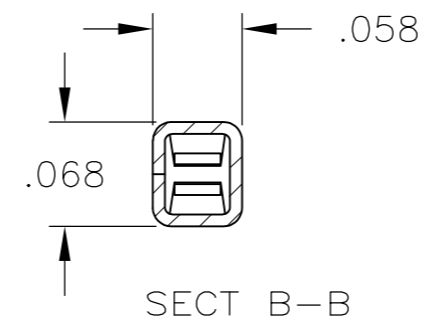
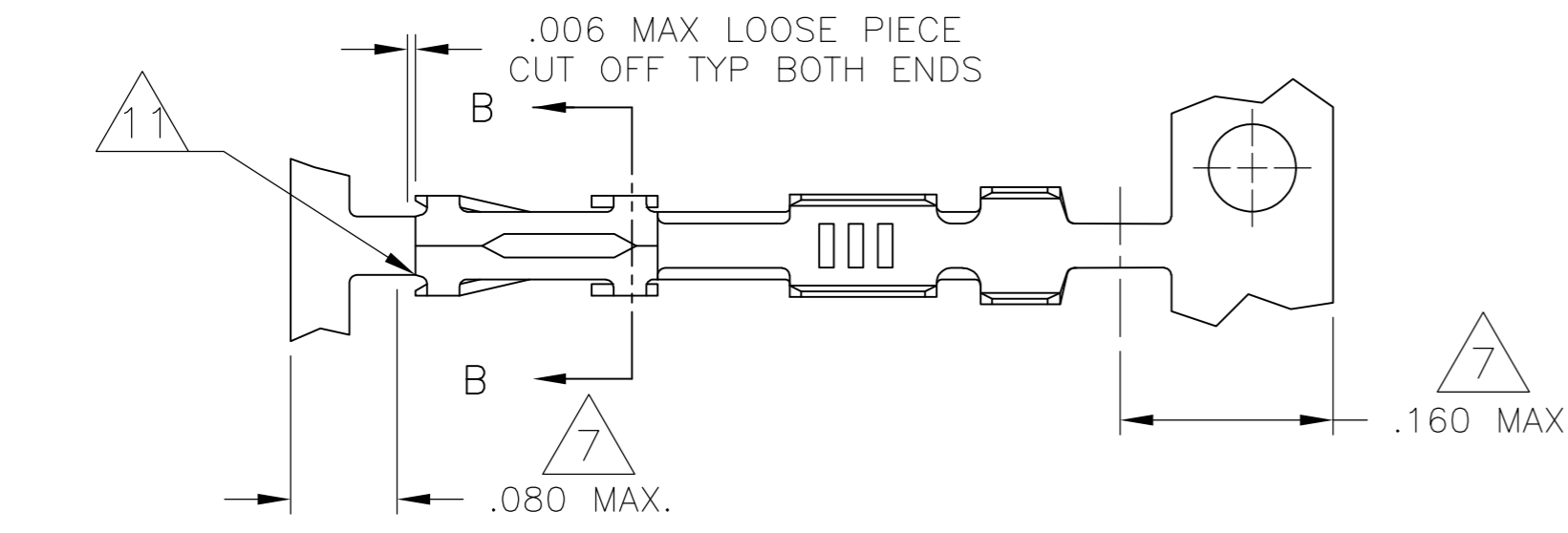


THIS DRAWING IS UNPUBLISHED. RELEASED FOR PUBLICATION
 © COPYRIGHT - By - ALL RIGHTS RESERVED.

LOC	DIST	REVISIONS					
AD	00	P	LTR	DESCRIPTION	DATE	DWN	APVD
		R		REVISED PER ECO-15-004633	30MAY2015	NK	JO



- 1 REELED FOR MINI APPLICATOR.
- 2 .000030 GOLD OVER .000050 NICKEL.
- 3 GOLD FLASH OVER NICKEL, .000030 GOLD ON CONTACT AREA.
- 4 PREPLATED:(HALT).000078-.000158 BRIGHT TIN.
- 5 .000050 GOLD OVER .000050 NICKEL.
- 6 GOLD FLASH OVER NICKEL, .000015 GOLD ON CONTACT AREA.
- 7 GOLD PLATING NOT REQUIRED IN THIS AREA.
- 8 .000050 GOLD ON CONTACT AREA, GOLD FLASH AREA L OVER.000050/.000100 NICKEL ENTIRE CONTACT.
- 9 SHEARED EDGES MAY BE UNPLATED.
- 10 REELED FOR STANDARD APPLICATOR.
- 11 CUT OUTS ON BOX AT MANUFACTURER'S OPTION.
- 12 OBSOLETE PART NUMBER.
- 13 PT. OF MEAS. FOR PLATING THICKNESS(INSIDE BEAMS).
- 14 .000015 GOLD IN THE CONTACT AREA, .000050 NICKEL OVER THE ENTIRE TERMINAL.
- 15 OBSOLETE PARTS: OBSOLETE CIS STREAMLINING PER D.RENAUD/D.SINISI.

9	15	OBSOLETE	12 -7	87667-6	9	14	1-87666-9
1	12	-7	87667-6	8	7	1-87666-6	
1	12	-1	87667-5	6	7	87666-5	
1	12	-0	87667-4	5	7	87666-4	
	12	-9	87667-3		4	87666-3	
	12	-8	87667-2	3	7	87666-2	
	12	-7	87667-1	2	7	87666-1	
PART NO.		LOOSE PIECE PART NO.	FINISH	1 PART NO.			

THIS DRAWING IS A CONTROLLED DOCUMENT. DWN E.C.CLAYBAUGH 8/03/98

TE Connectivity

CONTACT, FEMALE
MOD IV, CRIMP SNAP-IN

DIMENSIONS: INCHES	TOLERANCES UNLESS OTHERWISE SPECIFIED:	0 PLC ± -	1 PLC ± -	2 PLC ± -	3 PLC ± .005	4 PLC ± -	ANGLES ± -	FINISH	SEE TABLE
MATERIAL	CU-NI-SI	WEIGHT	-	SIZE	A2	CAGE CODE	00779	DRAWING NO	C=87666
CUSTOMER DRAWING		SCALE	8:1	SHEET	1 of 1	REV	R		

X-ON Electronics

Largest Supplier of Electrical and Electronic Components

Click to view similar products for [Headers & Wire Housings](#) category:

Click to view products by [TE Connectivity](#) manufacturer:

Other Similar products are found below :

[892-18-020-10-001101](#) [58102-G61-06LF](#) [582553-1](#) [0009485154](#) [009176003701906](#) [0050291907](#) [LY20-4P-DT1-P1E-BR](#) [02.125.8002.8](#)
[609-3404](#) [61062-3](#) [61082-181009](#) [622-3653LF](#) [63453-116](#) [636-1030](#) [636-1427](#) [636-3427](#) [636-4007](#) [641938-9](#) [641991-4](#) [644827-2](#) [65817-](#)
[010LF](#) [65817-015LF](#) [65863-015LF](#) [66207-023LF](#) [67095-007LF](#) [67601157](#) [68645-018](#) [68648-049](#) [70.362.1628.0](#) [70-4210](#) [70-4226B](#) [70-](#)
[4853B](#) [707-5020](#) [707-5028](#) [71.350.2428.0](#) [71918-208LF](#) [71961-016LF](#) [733-134](#) [733-162](#) [754199-000](#) [760-3052](#) [787-8014-00](#) [79531-3000](#)
[FCN-360C032-B](#) [FCN-367T-T012/H](#) [FCN-723D010/2](#) [80.063.4001.1](#) [800-90-001-10-001000](#) [800-90-010-10-002000](#) [801-43-002-10-013000](#)