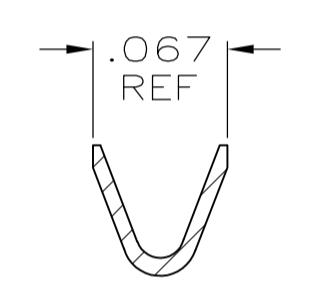
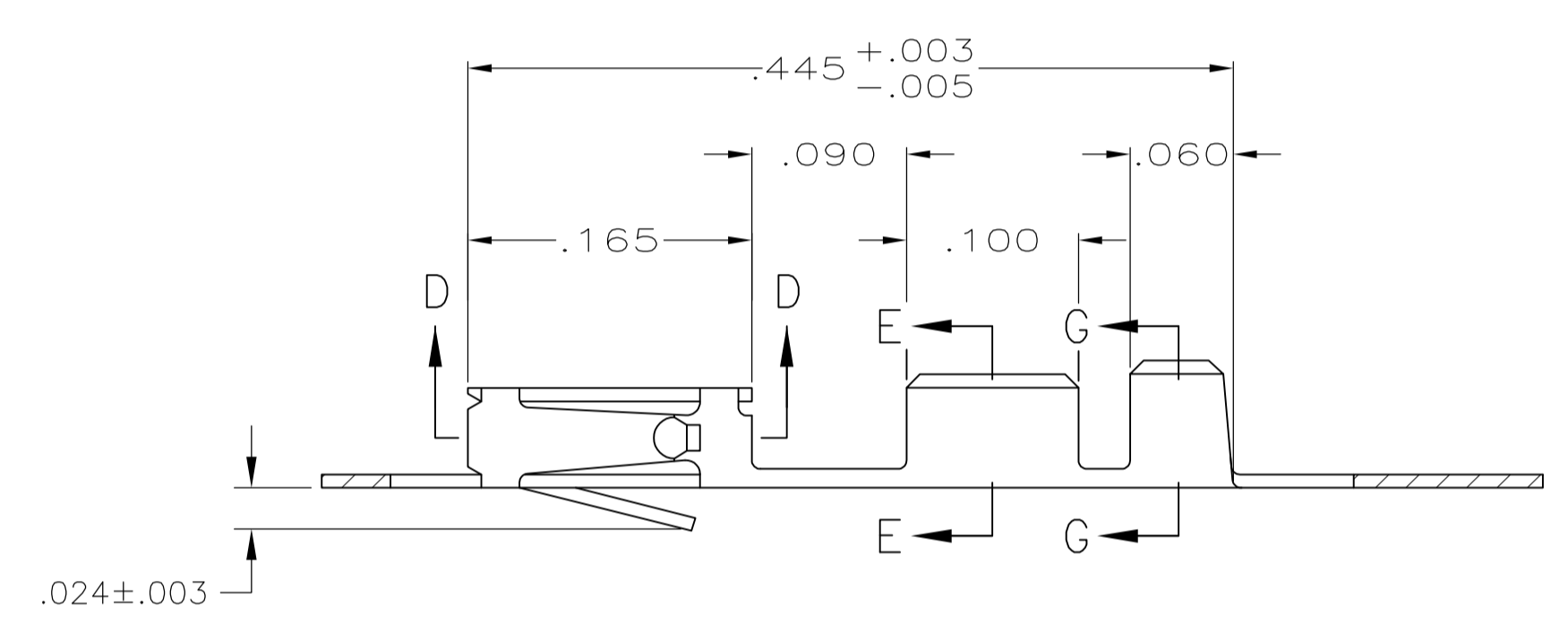
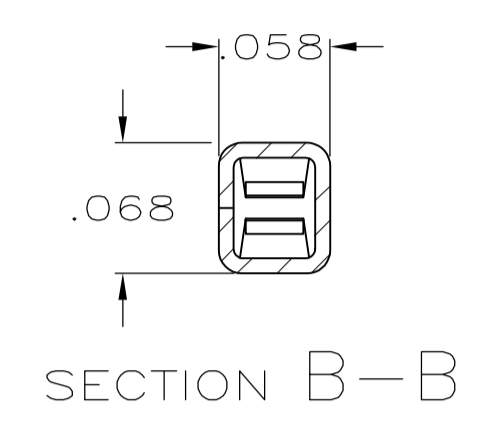
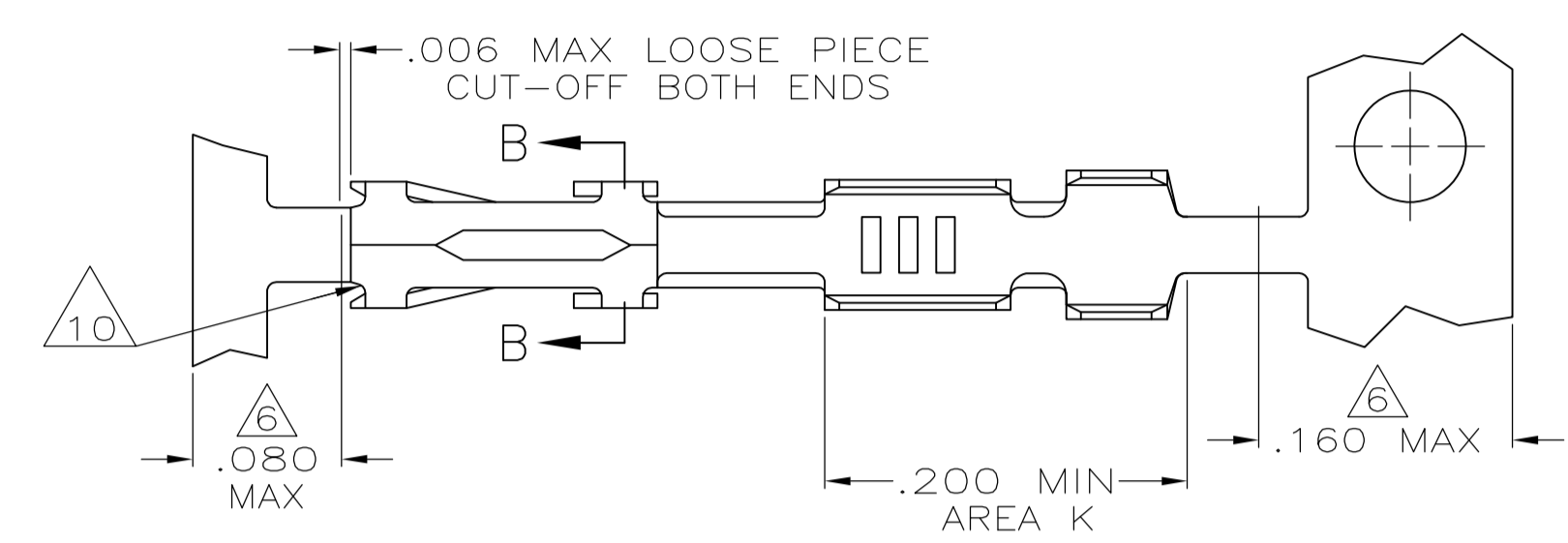
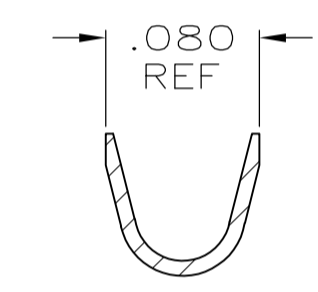


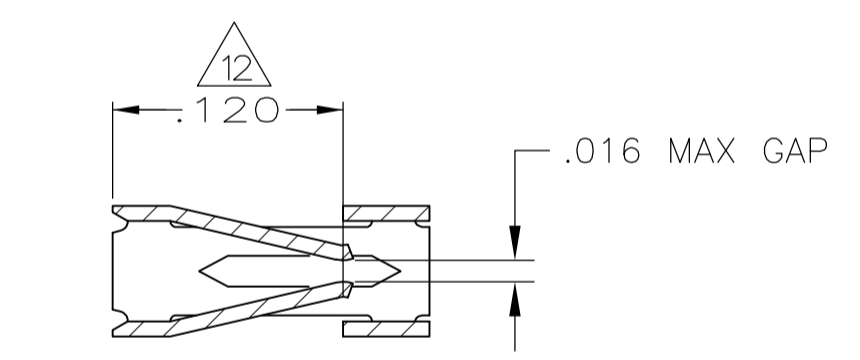
- 1 REELED FOR MINI-APPLICATOR.
- 2 GOLD FLASH OVER NICKEL, .000015 GOLD ON CONTACT AREA.
- 3 GOLD FLASH OVER NICKEL, .000030 GOLD ON CONTACT AREA.
- 4 PREPLATED 0.00127-0.00381 (.000050-.000150) BRIGHT TIN.
- 5 .000050 NICKEL ON ENTIRE CONTACT, .000015 GOLD IN CONTACT AREA.
- 6 GOLD PLATING NOT REQUIRED IN THIS AREA.
- 7 SHEARED EDGES PERMITTED TO BE UNPLATED.
- 8 .000050 NICKEL ENTIRE CONTACT, .000015 GOLD ON CONTACT AREA, .000100-.000200 BRIGHT TIN LEAD IN AREA K.
- 9 GOLD FLASH OVER NICKEL, .000050 GOLD ON CONTACT AREA.
- 10 CUT OUTS ON BOX AT MANUFACTURER'S OPTION.
- 11 .000030 GOLD IN CONTACT AREA, .000100-.000200 BRIGHT TIN-LEAD IN AREA K, ALL OVER .000050 NICKEL.
- 12 POINT OF MEASUREMENT FOR PLATING THICKNESS (INSIDE BEAMS).
- 13 .000030 GOLD IN CONTACT AREA, .000100-.000200 TIN IN AREA K, ALL OVER .000050 NICKEL.
- 14 .000050 NICKEL ENTIRE CONTACT, .000015 GOLD ON CONTACT AREA, .000100-.000200 TIN IN AREA K.



WIRE SIZE #22-#26
SECTION E-E



INSULATION RANGE .061 MAX
SECTION G-G



SECTION D-D

LOOSE PIECE	REF	6-87756-8
REELED	REF	6-87756-7
LOOSE PIECE	REF	6-87756-6
REELED	REF	6-87756-2
LOOSE PIECE	REF	1-87756-8
REELED	REF	1-87756-7
LOOSE PIECE	REF	1-87756-6
OBSOLETE	REF	1-87756-4
REELED	REF	1-87756-2
REELED	REF	1-87756-1
OBSOLETE	REF	1-87756-0
LOOSE PIECE	REF	87756-7
REELED	REF	87756-6
LOOSE PIECE	REF	87756-5
REELED	REF	87756-4
LOOSE PIECE	REF	87756-3
REELED	REF	87756-2
DESCRIPTION	FINISH	PART NUMBER

THIS DRAWING IS A CONTROLLED DOCUMENT.

DIMENSIONS: INCHES	TOLERANCES UNLESS OTHERWISE SPECIFIED:	DRAWN: L.D. RINGLEY 12-10-85	CHK: J. GESFORD 12-16-85	APPROVED: J. GESFORD 12-16-85	NAME: J. GESFORD
0. PLC ± -	1. PLC ± -	PRODUCT SPEC: 108-25,020			
2. PLC ± -	3. PLC ± .005	APPLICATION SPEC: 114-25,003			
4. PLC ± -	ANGLES ± -	MATERIAL: .008 THK CU-SN-P ALLOY 521	FINISH: SEE TABLE	WEIGHT: -	SIZE: A1
		CUSTOMER DRAWING		SCALE: 10:1	SHEET: 1 OF 1

STE TE Connectivity

CONTACT, FEMALE, MOD IV, CRIMP SNAP-IN

RESTRICTED TO: -

X-ON Electronics

Largest Supplier of Electrical and Electronic Components

Click to view similar products for [Headers & Wire Housings](#) category:

Click to view products by [TE Connectivity](#) manufacturer:

Other Similar products are found below :

[892-18-020-10-001101](#) [58102-G61-06LF](#) [582553-1](#) [0009485154](#) [009176003701906](#) [0050291907](#) [LY20-4P-DT1-P1E-BR](#) [02.125.8002.8](#)
[609-3404](#) [61062-3](#) [61082-181009](#) [622-3653LF](#) [63453-116](#) [636-1030](#) [636-1427](#) [636-3427](#) [636-4007](#) [641938-9](#) [641991-4](#) [644827-2](#) [65817-010LF](#) [65817-015LF](#) [65863-015LF](#) [66207-023LF](#) [67095-007LF](#) [67601157](#) [68645-018](#) [68648-049](#) [70.362.1628.0](#) [70-4210](#) [70-4226B](#) [70-4853B](#) [707-5020](#) [707-5028](#) [71.350.2428.0](#) [71918-208LF](#) [71961-016LF](#) [733-134](#) [733-162](#) [754199-000](#) [760-3052](#) [787-8014-00](#) [79531-3000](#)
[FCN-360C032-B](#) [FCN-367T-T012/H](#) [FCN-723D010/2](#) [80.063.4001.1](#) [800-90-001-10-001000](#) [800-90-010-10-002000](#) [801-43-002-10-013000](#)