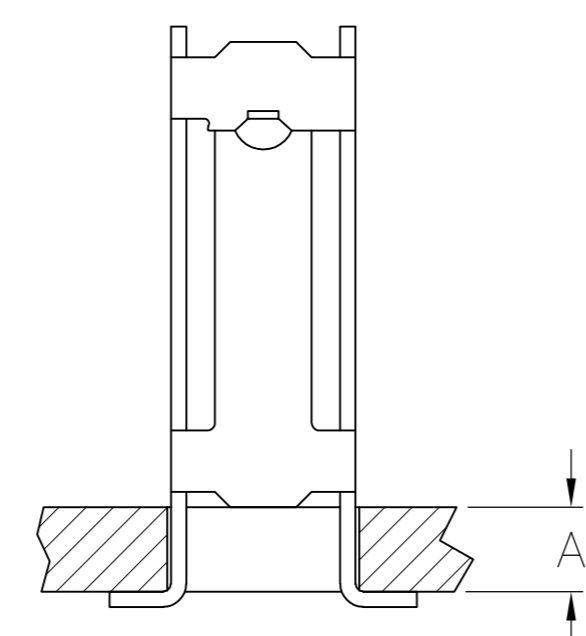
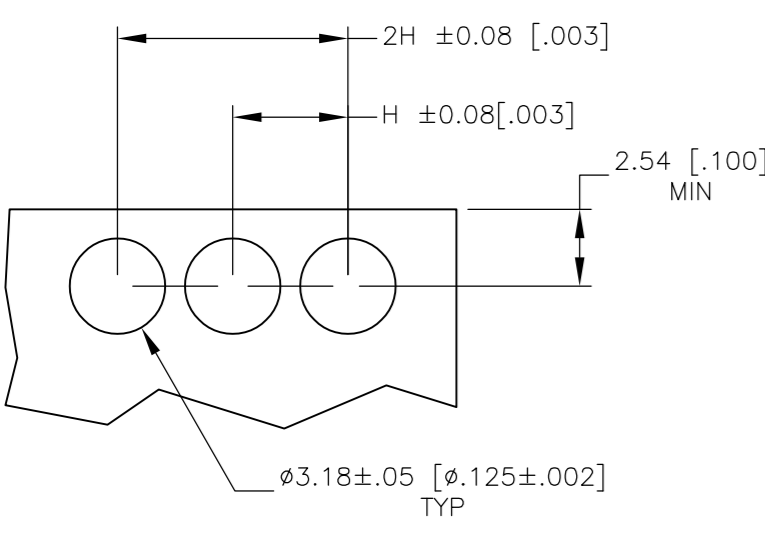
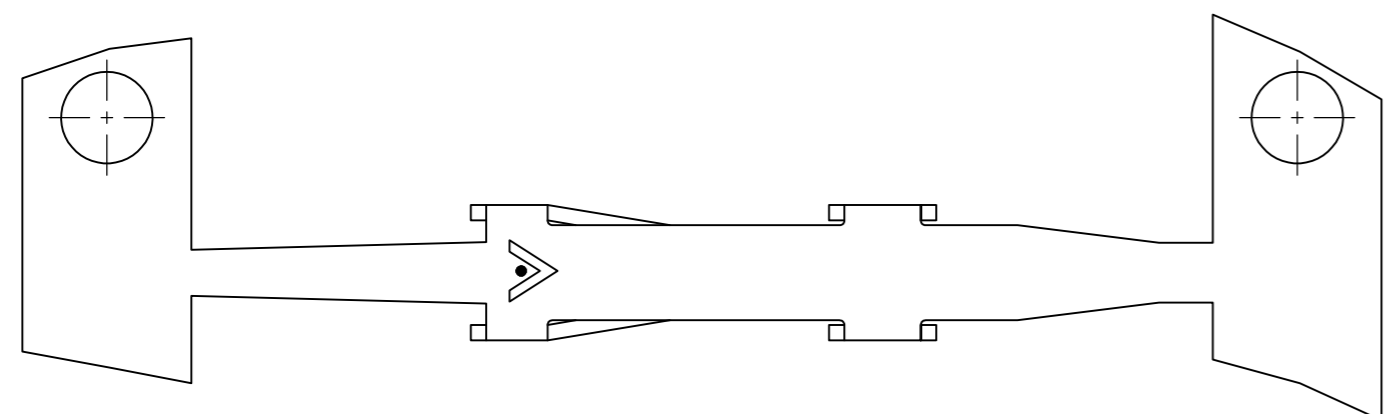
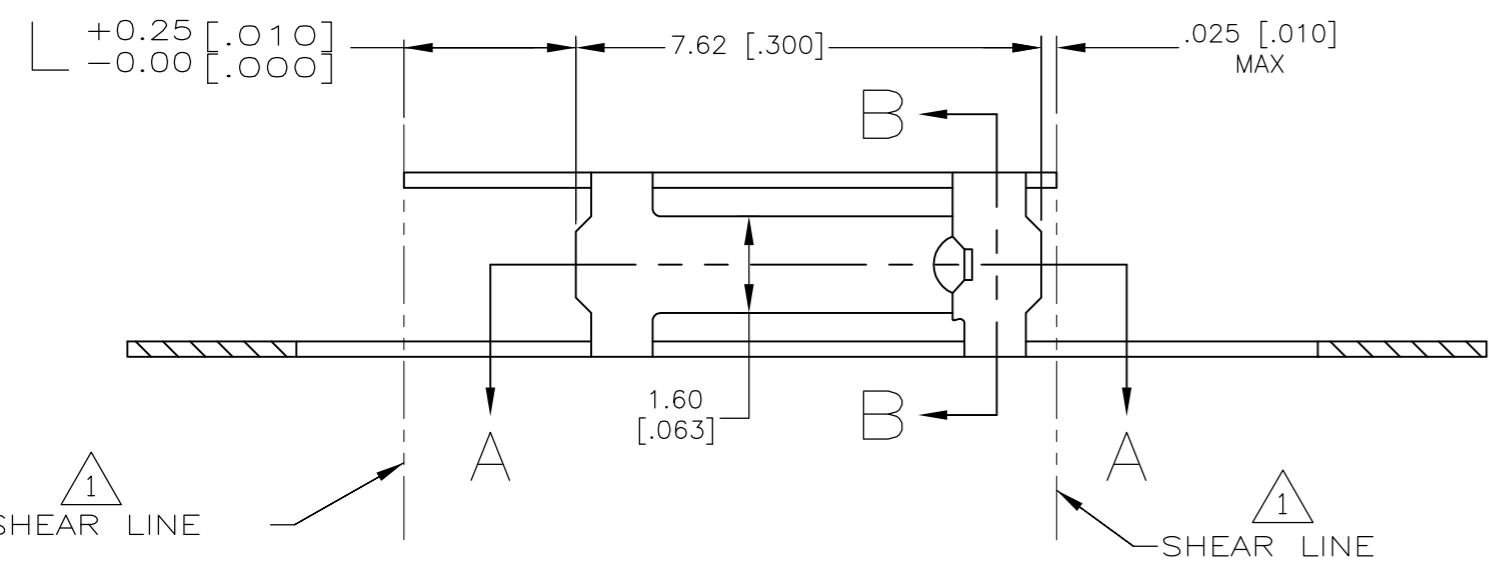
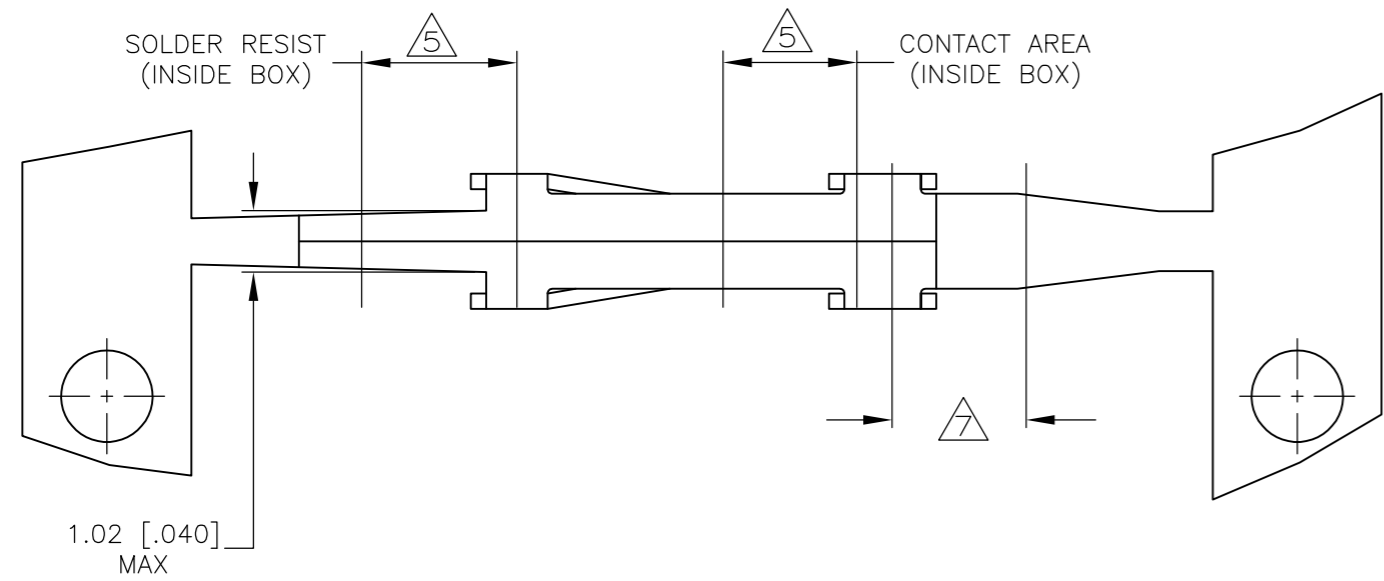
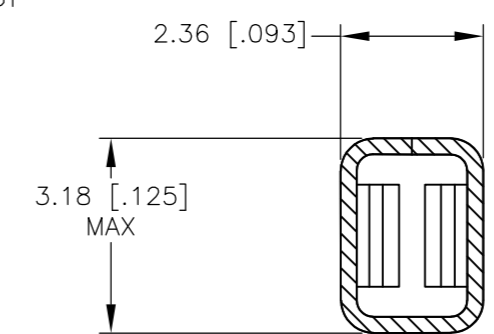


THIS DRAWING IS UNPUBLISHED. RELEASED FOR PUBLICATION
 © COPYRIGHT BY TYCO ELECTRONICS CORPORATION. ALL RIGHTS RESERVED.

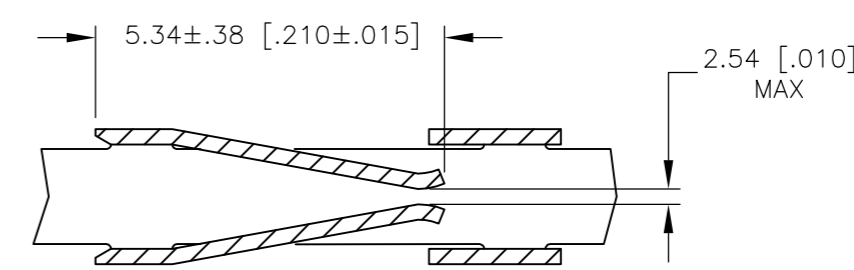
LOC		DIST		REVISIONS			
P	LTR	DESCRIPTION	DATE	DWN	APVD		
L		REV PER 0G3C-0057-01	-	MB	MZ		
L1		REVISED PER ECO-09-021826	26AUG09	KK	AEG		



- 1. SHEAR LINES DEFINE LOOSE PIECE PART.
- 2. FOR USE WITH AMPMODU MINIATURE APPLICATOR.
- 3. CONTACT MAT'L: COPPER-NICKEL-TIN ALLOY 725.
- 4. "H", (RECEPTACLE CENTERS) MAY VARY DEPENDING ON REQUIREMENTS, MINIMUM NOMINAL CENTER SPACING BETWEEN ADJACENT RECEPTACLES IS 3.8±0.08 [.150±.003].
- 5. FINISH 0.00076 [.000030] MIN W.E. #1 ALLOY OVER 0.00127 [.000050] MIN NICKEL INLAID INTO CONTACT AREA, 0.01270 [.000500] MIN ALUMINUM INLAID INTO SELECT AREA OF SOLDER TINE, REMAINDER UNFINISHED.
- 6. A MILDLY ACTIVATED FLUX IS REQUIRED TO SOLDER.
- 7. IF ALTN STOCK IS USED SOLDER RESIST WILL APPEAR IN THIS AREA ALSO.
- 8. OBSOLETE.
- 9. OBSOLETE PARTS: OBSOLETE CIS STREAMLINING PER D.RENAUD/D.SINISI



SECTION B-B



SECTION A-A

9	OBSOLETE	COMP-U-SERTOR	1.40/1.78 [.055/.070]	3	5	2.84 [.112]	-	87772-3
		MINIATURE	1.40/1.78 [.055/.070]	3	5	2.84 [.112]	87776-2	87772-2
	OBSOLETE	MINIATURE	1.40/2.62 [.055/.103]	3	5	3.68 [.145]	87776-1	87772-1
		REELED FOR APPLICATOR	A	MATL	FINISH	TINE LGTH	LOOSE PIECE PART NO.	PART NUMBER

THIS DRAWING IS A CONTROLLED DOCUMENT.

DWN	E.BRANDBERG	7-14-94	Tyco Electronics Corporation Harrisburg, PA 17105
CHK	J. HERRINGTON	7-14-94	
APVD	-	-	NAME
PRODUCT SPEC	-	-	CONTACT, FEMALE, MOD I, TYPE A, STAN. PRESS. (FOR ROUND HOLE MOUNTING)
APPLICATION SPEC	-	-	SIZE
WEIGHT	-	-	CAGE CODE
CUSTOMER DRAWING	-	-	DRAWING NO
			RESTRICTED TO

DIMENSIONS: INCHES
 TOLERANCES UNLESS OTHERWISE SPECIFIED:
 0 PLC ± -
 1 PLC ± -
 2 PLC ± -
 3 PLC ± 0.13 [.005]
 4 PLC ± -
 ANGLES ± -
 MATERIAL: SEE TABLE
 FINISH: SEE TABLE

SCALE: 8:1 SHEET 1 OF 1 REV L1

X-ON Electronics

Largest Supplier of Electrical and Electronic Components

Click to view similar products for [Headers & Wire Housings](#) category:

Click to view products by [TE Connectivity](#) manufacturer:

Other Similar products are found below :

[892-18-020-10-001101](#) [58102-G61-06LF](#) [582553-1](#) [0009485154](#) [009176003701906](#) [0050291907](#) [LY20-4P-DT1-P1E-BR](#) [02.125.8002.8](#)
[609-3404](#) [61062-3](#) [61082-181009](#) [622-3653LF](#) [63453-116](#) [636-1030](#) [636-1427](#) [636-3427](#) [636-4007](#) [641938-9](#) [641991-4](#) [644827-2](#) [65817-010LF](#) [65817-015LF](#) [65863-015LF](#) [66207-023LF](#) [67095-007LF](#) [67601157](#) [68645-018](#) [68648-049](#) [70.362.1628.0](#) [70-4210](#) [70-4226B](#) [70-4853B](#) [707-5020](#) [707-5028](#) [71.350.2428.0](#) [71918-208LF](#) [71961-016LF](#) [733-134](#) [733-162](#) [754199-000](#) [760-3052](#) [787-8014-00](#) [79531-3000](#)
[FCN-360C032-B](#) [FCN-367T-T012/H](#) [FCN-723D010/2](#) [80.063.4001.1](#) [800-90-001-10-001000](#) [800-90-010-10-002000](#) [801-43-002-10-013000](#)