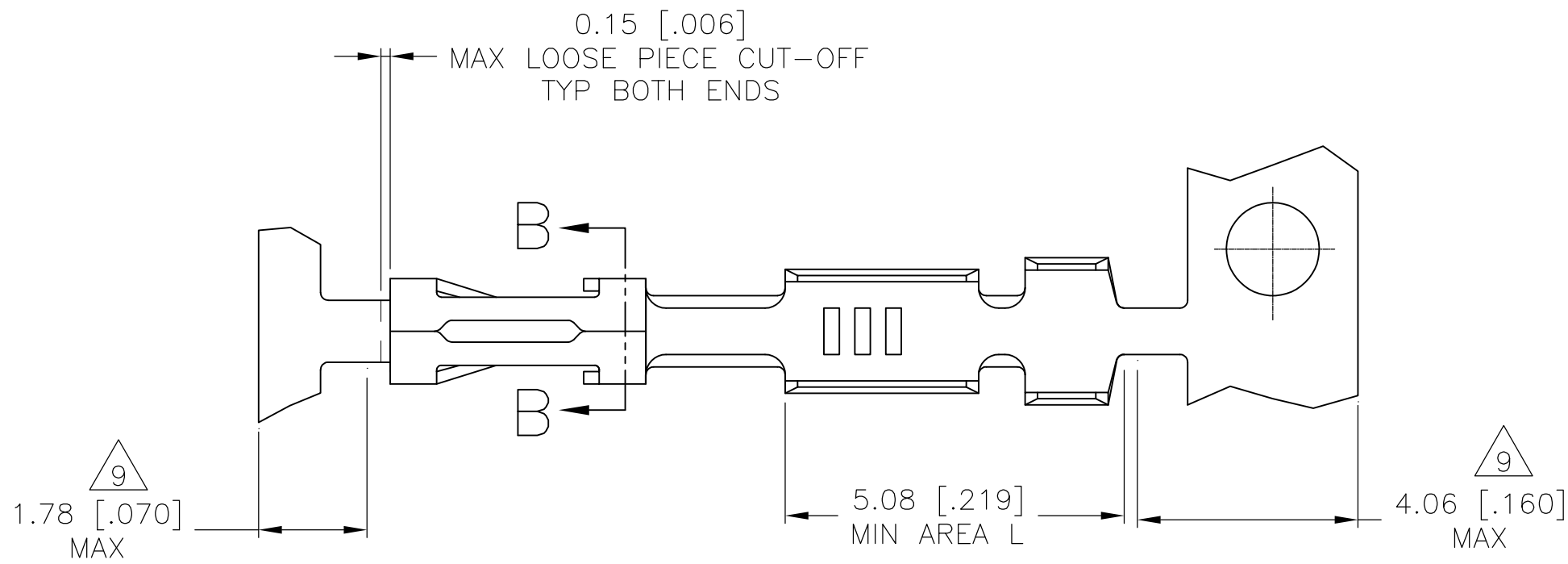
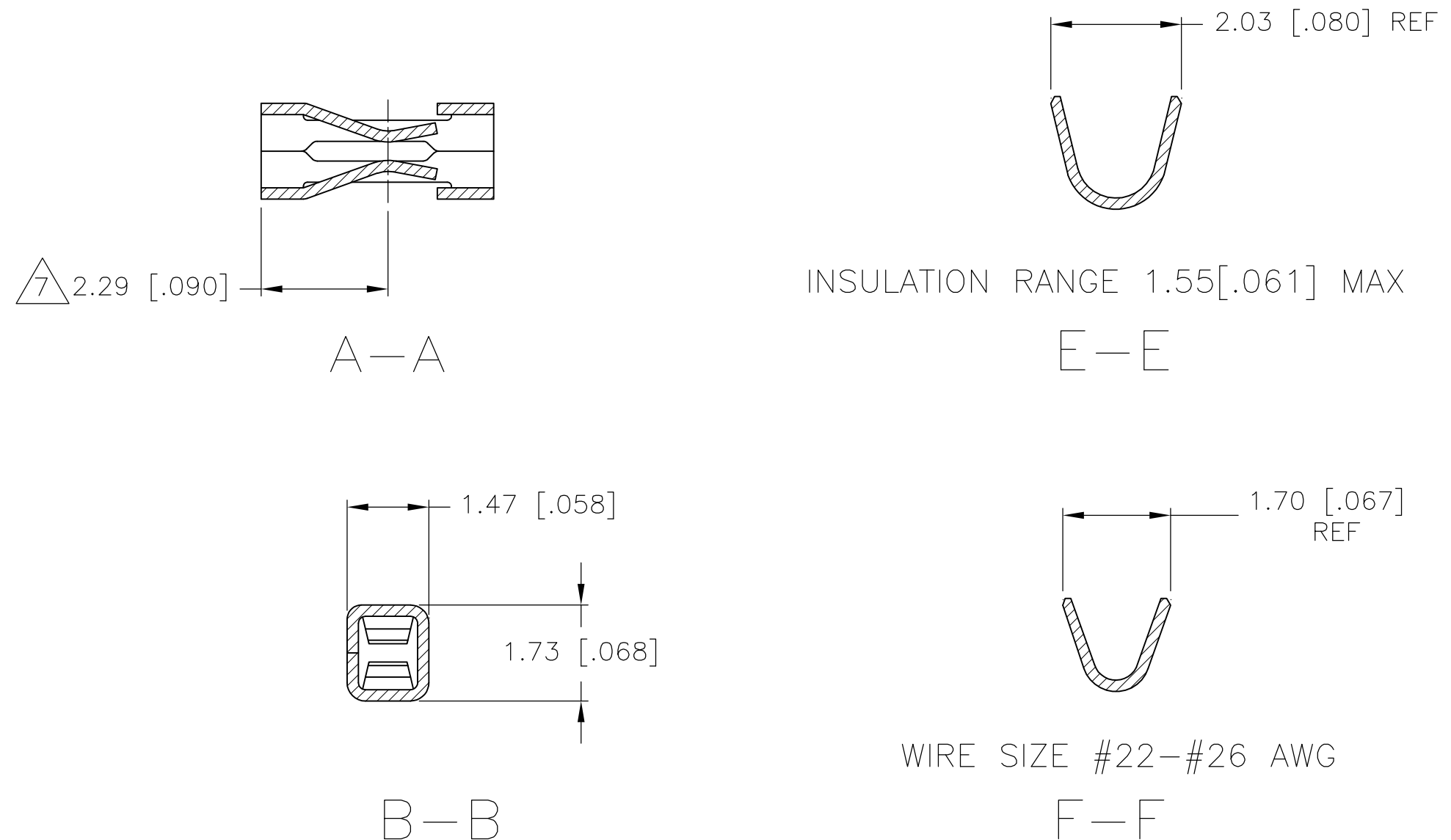
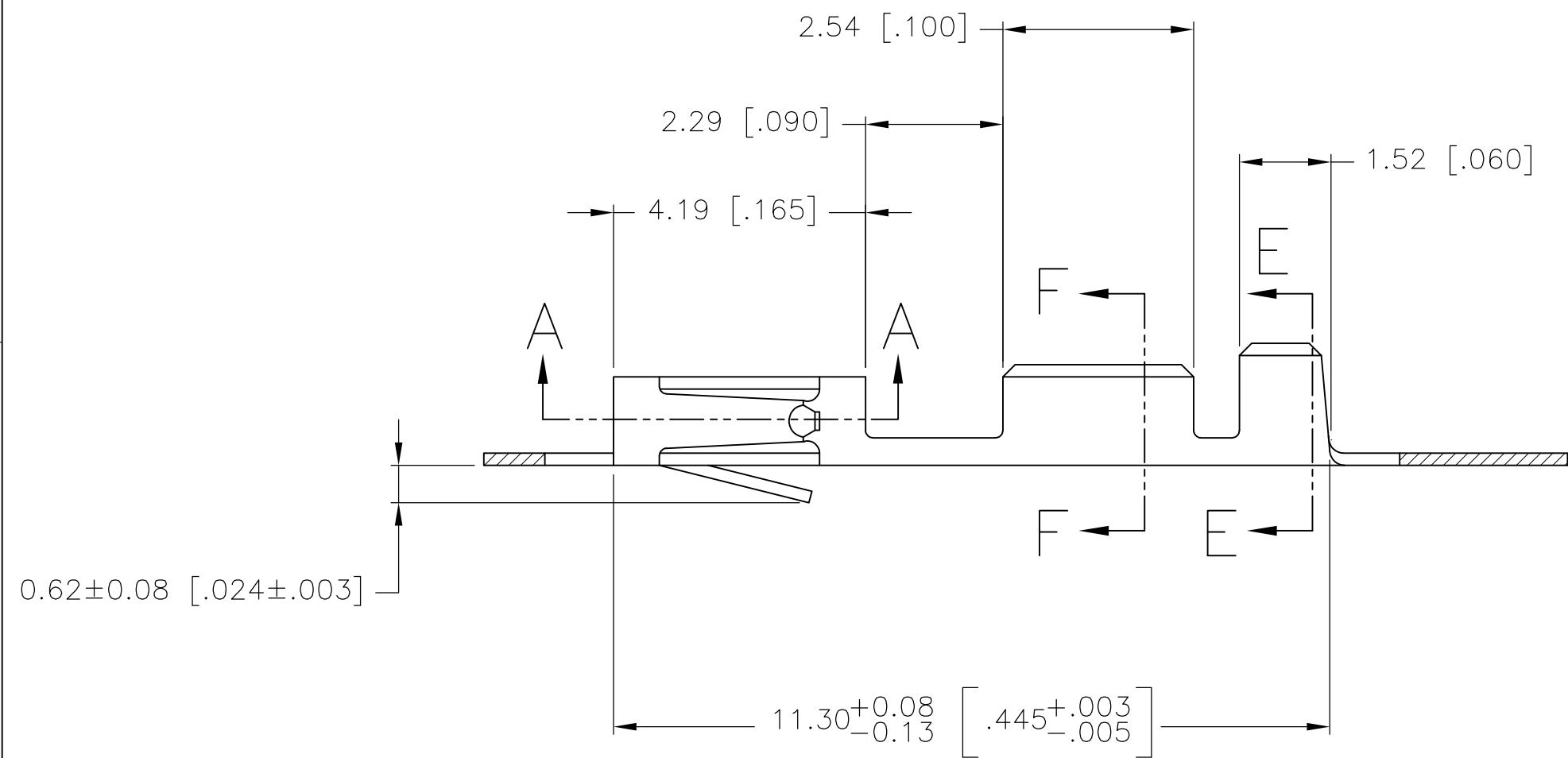


THIS DRAWING IS UNPUBLISHED. RELEASED FOR PUBLICATION
 © COPYRIGHT - By - ALL RIGHTS RESERVED.

LOC	DIST	REVISIONS					
AD	00	P	LTR	DESCRIPTION	DATE	DWN	APVD
		K1		REVISED PER ECO-11-004820	11MAR11	RK	HMR



- 1 REELED PER MINI-APPLICATOR.
- 2 0.00076[.000030] GOLD ON CONTACT AREA, GOLD FLASH ON THE REMAINDER, OVER 0.00127[.000050] NICKEL.
- 3 0.00127[.000050]-0.00381[.000150] PREPLATED BRIGHT TIN.
- 4 0.00038[.000015] GOLD IN CONTACT AREA, 0.00254[.000100]-0.00508[.000200] BRIGHT TIN-LEAD IN AREA L, ALL OVER 0.00127[.000050] NICKEL.
- 5 0.00076[.000030] GOLD IN CONTACT AREA, 0.00254[.000100]-0.00508[.000200] BRIGHT TIN-LEAD IN AREA L, ALL OVER 0.00127[.000050] NICKEL.
- 6 SHEARED EDGES PERMITTED TO BE UNPLATED.
- 7 POINT OF MEASUREMENT FOR PLATING THICKNESS (INSIDE BEAMS).
- 8 0.00038[.000015] GOLD ON THE CONTACT AREA, GOLD FLASH ON THE REMAINDER, ALL OVER 0.00127[.000050] NICKEL.
- 9 GOLD LATING NOT REQUIRED IN THIS AREA.



	8	87809-6
OBSOLETE	5 6	87809-5
OBSOLETE	4 6	87809-4
	3	87809-2
	2	87809-1
	FINISH	PART NUMBER

THIS DRAWING IS A CONTROLLED DOCUMENT.		DWN E. BRANDBERG 20FEB96	STE TE Connectivity	
DIMENSIONS: mm [INCHES]		CHK S. SHUEY 20FEB96		
TOLERANCES UNLESS OTHERWISE SPECIFIED:		APVD S. SHUEY 20FEB96	NAME CONTACT, FEMALE, MOD V, CRIMP SNAP-IN	
0 PLC ± -	1 PLC ± -	PRODUCT SPEC 108-25019	SIZE A2	CAGE CODE -
2 PLC ± 0.13[.005]	3 PLC ± -	APPLICATION SPEC 114-25003	DRAWING NO C=87809	RESTRICTED TO -
4 PLC ± -	ANGLES ± -	WEIGHT -	SCALE 10:1	SHEET 1 of 1
MATERIAL PHOS BRONZE 0.20[.008] THK	FINISH AS NOTED	CUSTOMER DRAWING	REV K1	

X-ON Electronics

Largest Supplier of Electrical and Electronic Components

Click to view similar products for [Headers & Wire Housings](#) category:

Click to view products by [TE Connectivity](#) manufacturer:

Other Similar products are found below :

[892-18-020-10-001101](#) [58102-G61-06LF](#) [582553-1](#) [0009485154](#) [009176003701906](#) [0050291907](#) [LY20-4P-DT1-P1E-BR](#) [02.125.8002.8](#)
[609-3404](#) [61062-3](#) [61082-181009](#) [622-3653LF](#) [63453-116](#) [636-1030](#) [636-1427](#) [636-3427](#) [636-4007](#) [641938-9](#) [641991-4](#) [644827-2](#) [65817-](#)
[010LF](#) [65817-015LF](#) [65863-015LF](#) [66207-023LF](#) [67095-007LF](#) [67601157](#) [68645-018](#) [68648-049](#) [70.362.1628.0](#) [70-4210](#) [70-4226B](#) [70-](#)
[4853B](#) [707-5020](#) [707-5028](#) [71.350.2428.0](#) [71918-208LF](#) [71961-016LF](#) [733-134](#) [733-162](#) [754199-000](#) [760-3052](#) [79531-3000](#) [FCN-](#)
[360C032-B](#) [FCN-367T-T012/H](#) [FCN-723D010/2](#) [80.063.4001.1](#) [800-90-010-10-002000](#) [801-43-002-10-013000](#) [801-43-006-10-002000](#)
[801-93-011-10-001000](#)