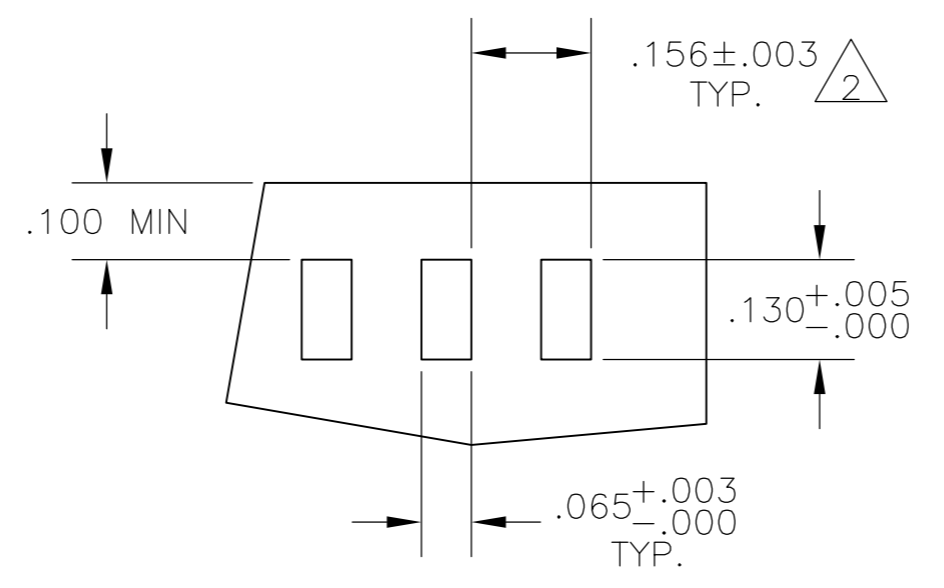
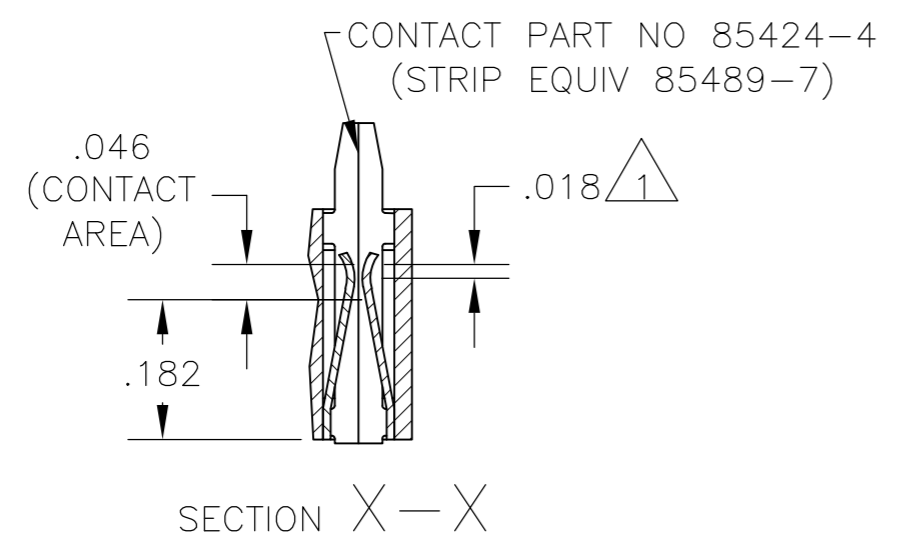


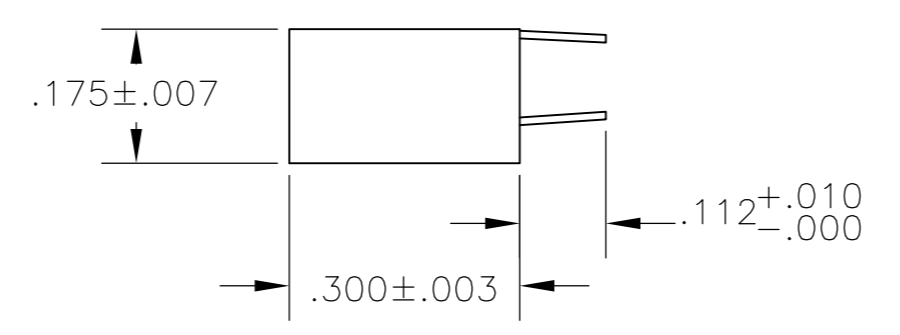
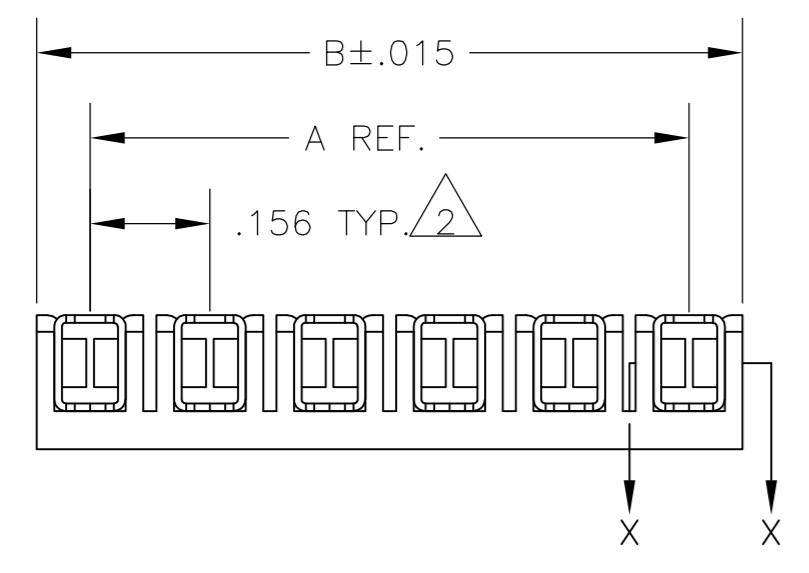
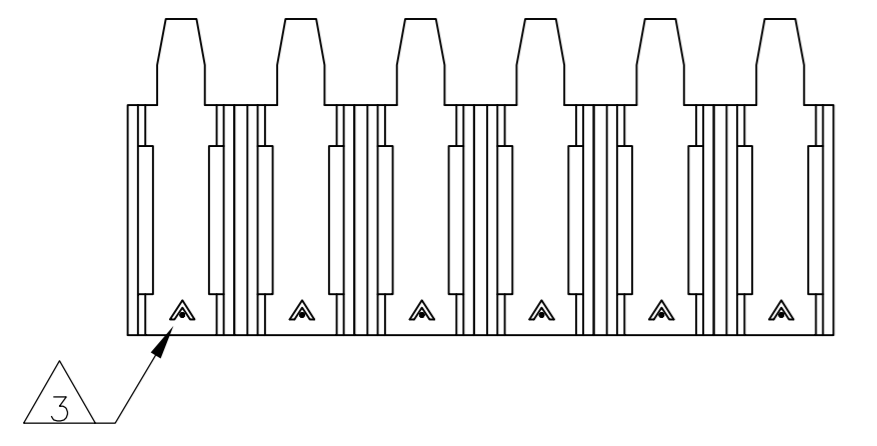
THIS DRAWING IS UNPUBLISHED. RELEASED FOR PUBLICATION - .19  
 © COPYRIGHT BY TYCO ELECTRONICS CORPORATION. ALL RIGHTS RESERVED.

LOC		DIST		REVISIONS			
P	LTR	DESCRIPTION	DATE	DWN	APVD		
	K1	REVISED PER ECO-10-000443	11JAN10	KK	AEG		



RECOMMENDED BOARD MOUNTING  
 (RECOMMENDED BOARD THICKNESS: .055-.070)

- NOTES:
- 1 POINT OF MEASUREMENT FOR PLATING THICKNESS (INSIDE OF BEAMS).
  - 2 TOLERANCE NON-CUMULATIVE.
  - 3 THE MATING END OF THE CONTACT IS IDENTIFIED BY THE LETTER "A" STAMPED ON THE RECEPTACLE BOX.
  - 4 OBSOLETE PARTS: OBSOLETE CIS STREAMLINING PER D.RENAUD/D.SINISI



PLC	CL	STD PRESSURE	TYPE	ASSEMBLY PART NUMBER
3	1.20	20	2	2-87982-0
3	1.964	19	1	1-87982-9
3	2.808	18	1	1-87982-8
3	2.652	17	1	1-87982-7
3	2.496	16	1	1-87982-6
3	2.340	15	1	1-87982-5
3	2.184	14	1	1-87982-4
3	2.028	13	1	1-87982-3
3	1.872	12	1	1-87982-2
3	1.716	11	1	1-87982-1
3	1.560	10	1	1-87982-0
3	1.404	9	1	87982-9
3	1.248	8	1	87982-8
3	1.092	7	1	87982-7
3	.936	6	1	87982-6
3	.780	5	1	87982-5
3	.624	4	1	87982-4
3	.468	3	1	87982-3
3	.312	2	1	87982-2
B	A	NO OF POSN	ASSEMBLY PART NUMBER	

THIS DRAWING IS A CONTROLLED DOCUMENT.		DWN L D RINGLEY 17MAR86	Tyco Electronics Corporation Harrisburg, Pa 17105-3608	
DIMENSIONS: INCHES		CHK P deJONG 18MAR86	NAME	
TOLERANCES UNLESS OTHERWISE SPECIFIED:		APVD P deJONG 18MAR86	ASSY, MOD I, BOARD MOUNT RECP, .156 CL, STD PRESSURE, TYPE B, FOR RECTANGULAR HOLE MOUNTING	
0 PLC ± -		PRODUCT SPEC	SIZE	CAGE CODE
1 PLC ± -		108-25,016	A2	00779
2 PLC ± -		APPLICATION SPEC	DRAWING NO	
3 PLC ± .005		114-25,004	C=87982	
4 PLC ± -		WEIGHT	RESTRICTED TO	
ANGLES ± -		-	-	
MATERIAL: HOUSING-FLAME RETARDANT THERMOPLASTIC, COLOR-BLACK, CONTACTS-PHOS BRONZE		FINISH: .000030 GOLD IN THE CONTACT AREA, GOLD FLASH ON THE REMAINDER, ALL OVER .000050 NICKEL		
CUSTOMER DRAWING		SCALE	SHEET	REV
		4:1	1 OF 1	K1

## X-ON Electronics

Largest Supplier of Electrical and Electronic Components

*Click to view similar products for [Headers & Wire Housings](#) category:*

*Click to view products by [TE Connectivity](#) manufacturer:*

Other Similar products are found below :

[892-18-020-10-001101](#) [58102-G61-06LF](#) [582553-1](#) [0009485154](#) [009176003701906](#) [0050291907](#) [LY20-4P-DT1-P1E-BR](#) [02.125.8002.8](#)  
[609-3404](#) [61062-3](#) [61082-181009](#) [622-3653LF](#) [63453-116](#) [636-1030](#) [636-1427](#) [636-3427](#) [636-4007](#) [641938-9](#) [641991-4](#) [644827-2](#) [65817-](#)  
[010LF](#) [65817-015LF](#) [65863-015LF](#) [66207-023LF](#) [67095-007LF](#) [67601157](#) [68645-018](#) [68648-049](#) [70.362.1628.0](#) [70-4210](#) [70-4226B](#) [70-](#)  
[4853B](#) [707-5020](#) [707-5028](#) [71.350.2428.0](#) [71918-208LF](#) [71961-016LF](#) [733-134](#) [733-162](#) [754199-000](#) [760-3052](#) [787-8014-00](#) [79531-3000](#)  
[FCN-360C032-B](#) [FCN-367T-T012/H](#) [FCN-723D010/2](#) [80.063.4001.1](#) [800-90-001-10-001000](#) [800-90-010-10-002000](#) [801-43-002-10-013000](#)