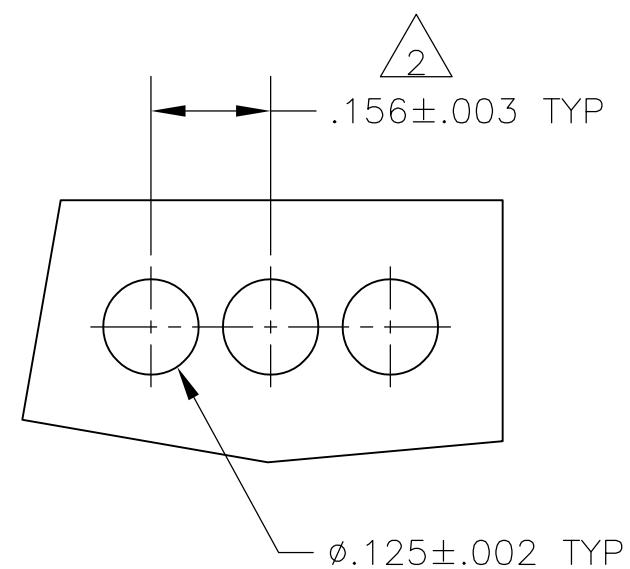
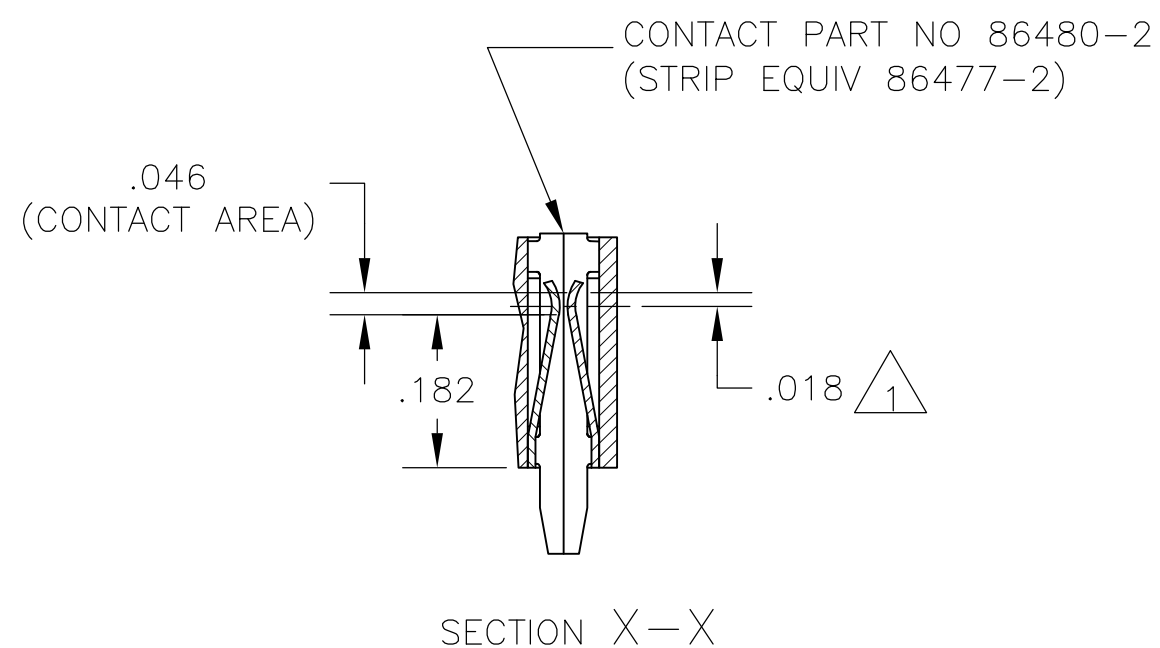
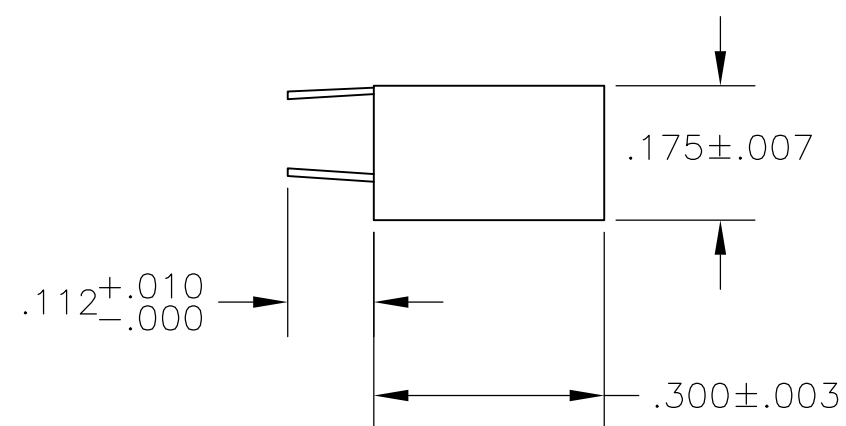
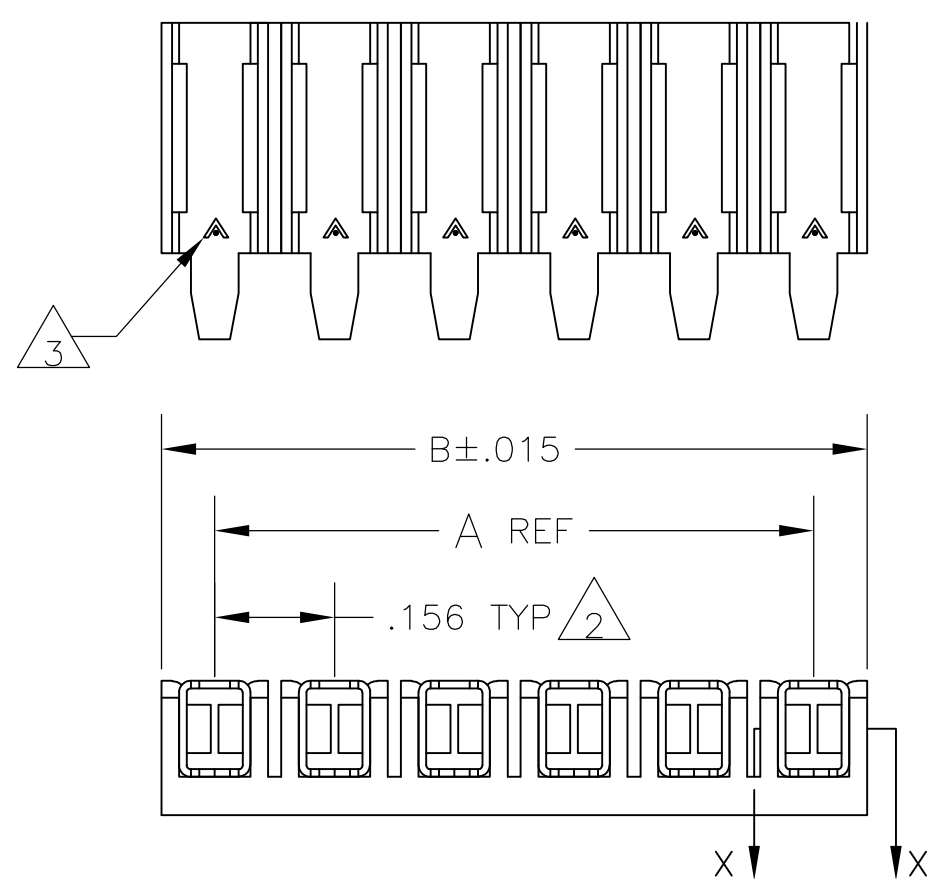


THIS DRAWING IS UNPUBLISHED. RELEASED FOR PUBLICATION
 © COPYRIGHT BY TYCO ELECTRONICS CORPORATION. ALL RIGHTS RESERVED.

LOC		DIST		REVISIONS			
P	LTR	DESCRIPTION	DATE	DWN	APVD		
AD	00	J2	REVISED ECO-10-018971	17SEP10	HMR	JO	



- 1 POINT OF MEASUREMENT FOR PLATING THICKNESS (INSIDE OF BEAMS).
- 2 TOLERANCE NON-CUMULATIVE.
- 3 THE MATING END OF THE CONTACT IS IDENTIFIED BY THE LETTER "A" STAMPED ON THE RECEPTACLE BOX.
- 4 OBSOLETE PARTS: OBSOLETE CIS STREAMLINING PER D.RENAUD/D.SINISI



B	A	NO OF POSN	ASSEMBLY PART NUMBER
3.120	2.964	20	2-87984-0
2.964	2.808	19	-1-87984-9
2.808	2.652	18	-1-87984-8
2.652	2.496	17	-1-87984-7
2.496	2.340	16	-1-87984-6
2.340	2.184	15	-1-87984-5
2.184	2.028	14	-1-87984-4
2.028	1.872	13	-1-87984-3
1.872	1.716	12	-1-87984-2
1.716	1.560	11	-1-87984-1
1.560	1.404	10	-1-87984-0
1.404	1.248	9	87984-9
1.248	1.092	8	87984-8
1.092	.936	7	87984-7
.936	.780	6	87984-6
.780	.624	5	87984-5
.624	.468	4	87984-4
.468	.312	3	87984-3
.312	.156	2	87984-2

THIS DRAWING IS A CONTROLLED DOCUMENT.

DWN	L D RINGLEY	17MAR86	Tyco Electronics Corporation Harrisburg, PA 17105-3608				
CHK	P C DEJONG	18MAR86					
APVD	P C DEJONG	18MAR86					
PRODUCT SPEC	108-25,016						
APPLICATION SPEC	114-25,004		NAME				
MATERIAL	HOUSING-FLAME RETARDANT THERMOPLASTIC, COLOR-BLACK CONTACTS: PHOS BRONZE	FINISH .000030 GOLD IN THE CONTACT AREA, GOLD FLASH ON THE REMAINDER, ALL OVER .000050 NICKEL	SIZE	CAGE CODE	DRAWING NO	RESTRICTED TO	
			A2	00779	C=87984	-	
			CUSTOMER DRAWING	SCALE	4:1	SHEET 1 OF 1	REV J2

X-ON Electronics

Largest Supplier of Electrical and Electronic Components

Click to view similar products for [Headers & Wire Housings](#) category:

Click to view products by [TE Connectivity](#) manufacturer:

Other Similar products are found below :

[892-18-020-10-001101](#) [58102-G61-06LF](#) [582553-1](#) [0009485154](#) [009176003701906](#) [0050291907](#) [LY20-4P-DT1-P1E-BR](#) [02.125.8002.8](#)
[609-3404](#) [61062-3](#) [61082-181009](#) [622-3653LF](#) [63453-116](#) [636-1030](#) [636-1427](#) [636-3427](#) [636-4007](#) [641938-9](#) [641991-4](#) [644827-2](#) [65817-010LF](#) [65817-015LF](#) [65863-015LF](#) [66207-023LF](#) [67095-007LF](#) [67601157](#) [68645-018](#) [68648-049](#) [70.362.1628.0](#) [70-4210](#) [70-4226B](#) [70-4853B](#) [707-5020](#) [707-5028](#) [71.350.2428.0](#) [71918-208LF](#) [71961-016LF](#) [733-134](#) [733-162](#) [754199-000](#) [760-3052](#) [787-8014-00](#) [79531-3000](#)
[FCN-360C032-B](#) [FCN-367T-T012/H](#) [FCN-723D010/2](#) [80.063.4001.1](#) [800-90-001-10-001000](#) [800-90-010-10-002000](#) [801-43-002-10-013000](#)