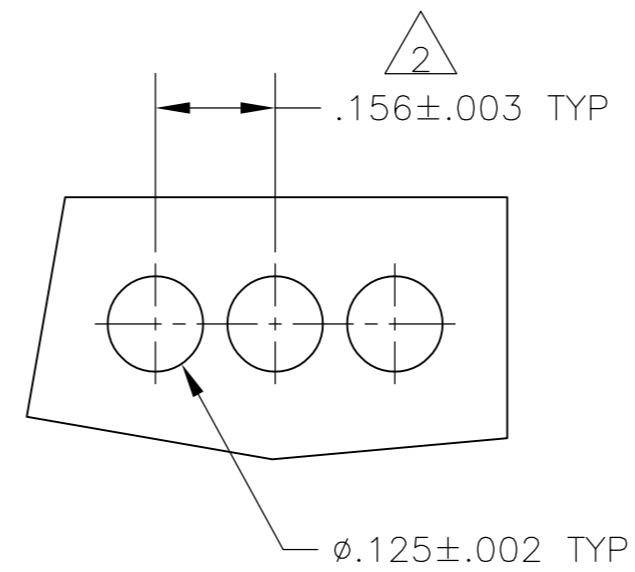
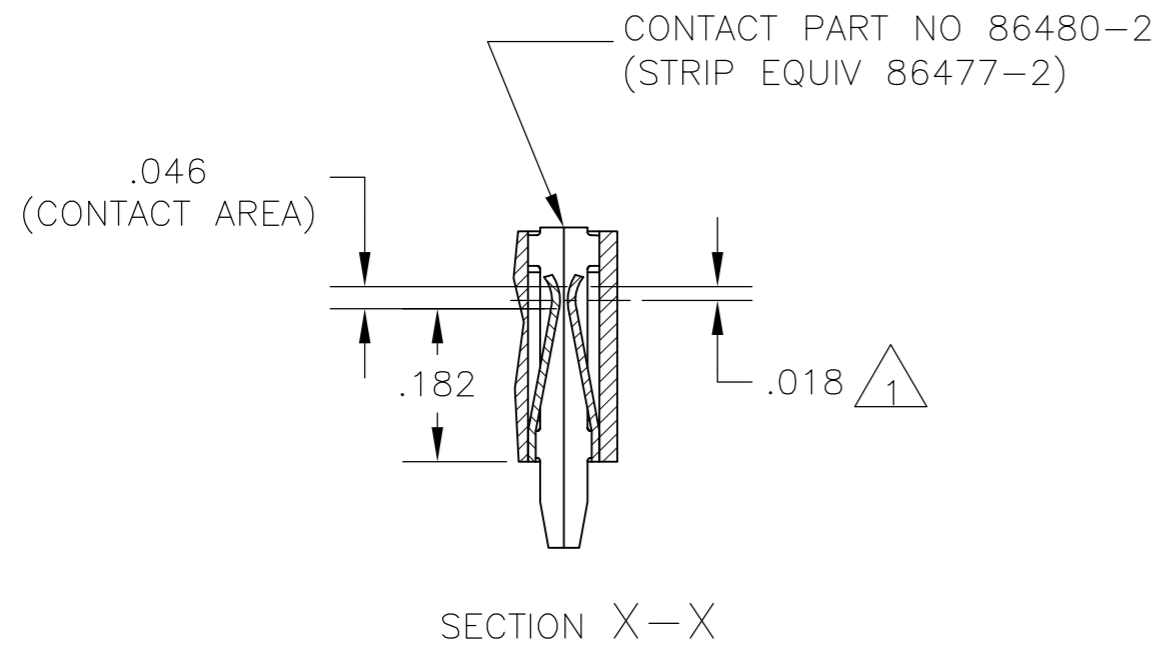
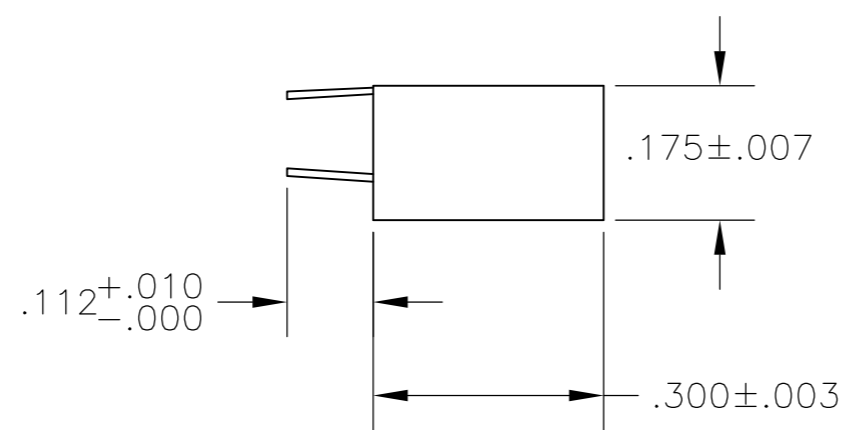
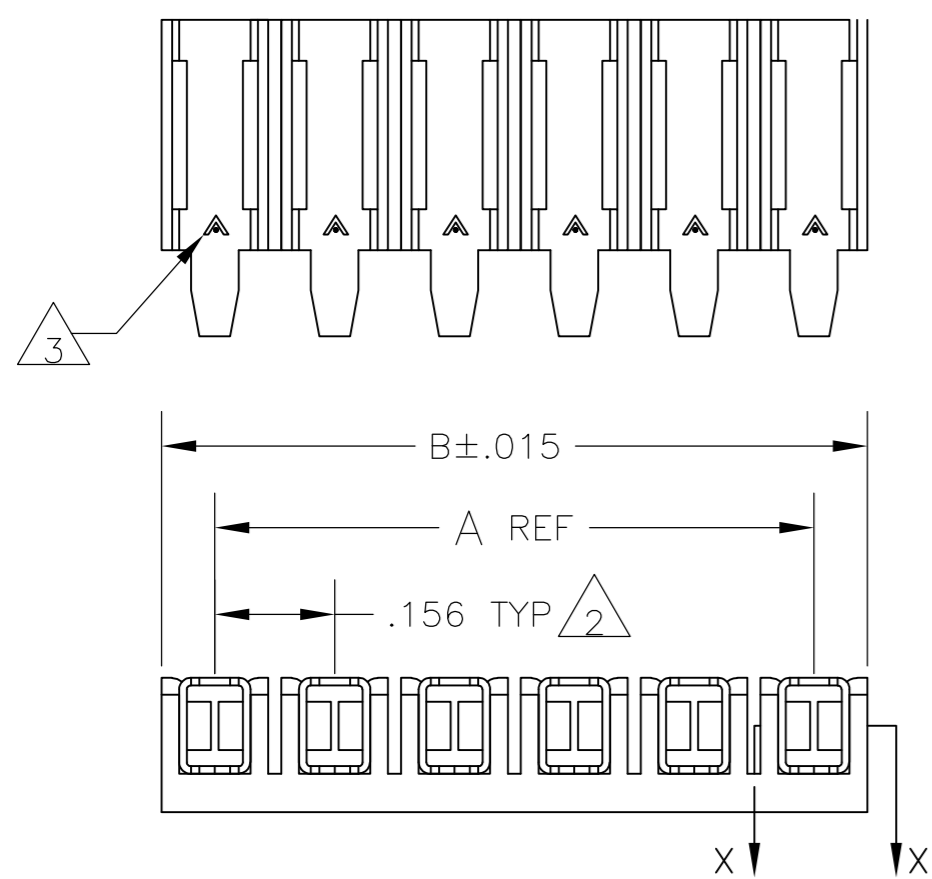


THIS DRAWING IS UNPUBLISHED. RELEASED FOR PUBLICATION
 © COPYRIGHT BY TYCO ELECTRONICS CORPORATION. ALL RIGHTS RESERVED.

LOC	DIST	REVISIONS					
AD	00	P	LTR	DESCRIPTION	DATE	DWN	APVD
		J2		REVISED ECO-10-018971	17SEP10	HMR	JO



- △1 POINT OF MEASUREMENT FOR PLATING THICKNESS (INSIDE OF BEAMS).
- △2 TOLERANCE NON-CUMULATIVE.
- △3 THE MATING END OF THE CONTACT IS IDENTIFIED BY THE LETTER "A" STAMPED ON THE RECEPTACLE BOX.
- △4 OBSOLETE PARTS: OBSOLETE CIS STREAMLINING PER D.RENAUD/D.SINISI



OBSOLETE △4	3.120	2.964	20	2-87984-0
	2.964	2.808	19	-1-87984-9
	2.808	2.652	18	-1-87984-8
	2.652	2.496	17	-1-87984-7
	2.496	2.340	16	-1-87984-6
	2.340	2.184	15	-1-87984-5
	2.184	2.028	14	-1-87984-4
	2.028	1.872	13	-1-87984-3
	1.872	1.716	12	-1-87984-2
	1.716	1.560	11	-1-87984-1
1.560	1.404	10	-1-87984-0	
	1.404	9	87984-9	
	1.248	8	87984-8	
	1.092	7	87984-7	
	.936	6	87984-6	
	.780	5	87984-5	
	.624	4	87984-4	
	.468	3	87984-3	
	.312	2	87984-2	
	B	A	NO OF POSN	ASSEMBLY PART NUMBER

THIS DRAWING IS A CONTROLLED DOCUMENT.		DWN L D RINGLEY 17MAR86	Tyco Electronics Corporation Harrisburg, PA 17105-3608	
DIMENSIONS: INCHES		CHK P C DEJONG 18MAR86	NAME ASSY, MOD I, BOARD MOUNT RECP, .156CL, STD PRESSURE, TYPE A, FOR ROUND HOLE MOUNTING	
TOLERANCES UNLESS OTHERWISE SPECIFIED:		APVD P C DEJONG 18MAR86	PRODUCT SPEC 108-25,016	RESTRICTED TO -
0 PLC ± -		APPLICATION SPEC 114-25,004	SIZE A2	CAGE CODE 00779
1 PLC ± -		WEIGHT -	SCALE 4:1	SHEET 1 OF 1
2 PLC ± -		CUSTOMER DRAWING		
3 PLC ± .005		REV J2		
4 PLC ± -				
ANGLES ± -				
MATERIAL HOUSING-FLAME RETARDANT THERMOPLASTIC, COLOR-BLACK CONTACTS: PHOS BRONZE		FINISH .000030 GOLD IN THE CONTACT AREA, GOLD FLASH ON THE REMAINDER, ALL OVER .000050 NICKEL		

X-ON Electronics

Largest Supplier of Electrical and Electronic Components

Click to view similar products for [Headers & Wire Housings](#) category:

Click to view products by [TE Connectivity](#) manufacturer:

Other Similar products are found below :

[892-18-020-10-001101](#) [58102-G61-06LF](#) [582553-1](#) [0009485154](#) [009176003701906](#) [0050291907](#) [LY20-4P-DT1-P1E-BR](#) [02.125.8002.8](#)
[609-3404](#) [61062-3](#) [61082-181009](#) [622-3653LF](#) [63453-116](#) [636-1030](#) [636-1427](#) [636-3427](#) [636-4007](#) [641938-9](#) [641991-4](#) [644827-2](#) [65817-010LF](#) [65817-015LF](#) [65863-015LF](#) [66207-023LF](#) [67095-007LF](#) [67601157](#) [68645-018](#) [68648-049](#) [70.362.1628.0](#) [70-4210](#) [70-4226B](#) [70-4853B](#) [707-5020](#) [707-5028](#) [71.350.2428.0](#) [71918-208LF](#) [71961-016LF](#) [733-134](#) [733-162](#) [754199-000](#) [760-3052](#) [787-8014-00](#) [79531-3000](#)
[FCN-360C032-B](#) [FCN-367T-T012/H](#) [FCN-723D010/2](#) [80.063.4001.1](#) [800-90-001-10-001000](#) [800-90-010-10-002000](#) [801-43-002-10-013000](#)